

Click [here](#) for production status of specific part numbers.

MAX22195

High-Speed, Octal, Industrial Digital Input with Parallel Output

General Description

The MAX22195 translates eight 24V industrial digital inputs to eight CMOS-compatible, parallel outputs. Propagation delay from input-to-output is less than 300ns for all channels. Current-limiters on each digital input greatly reduce power dissipation compared to traditional resistive inputs. The accuracy of these current-limiters minimizes power dissipation while ensuring compliance with the IEC 61131-2 standard. A current-setting resistor allows the MAX22195 to be configured for Type 1, Type 2, or Type 3 inputs. Additionally, the MAX22195 has energyless field-side LED drivers to meet the indicator light requirement of IEC 61131-2 with no additional power dissipation.

The MAX22195 provides a 3.3V integrated voltage regulator. The internal LDO accepts the field supply V_{DD24} from 7V to 65V. The internal LDO output can supply up to 25mA of current in addition to powering the basic MAX22195 requirements. This MAX22195 LDO current can be used to power digital isolators and other field-side circuits. Alternatively, the MAX22195 can be powered from a 3.0V to 5.5V supply connected to V_{DD3} pin.

The MAX22195 includes an open-drain READY output that asserts high to indicate the MAX22195 is functional. If the V_{DD24} field-side supply voltage is too low, or a fault in the current-setting resistor is detected, or the device reaches an over-temperature condition, the READY signal is set to high-impedance.

Applications

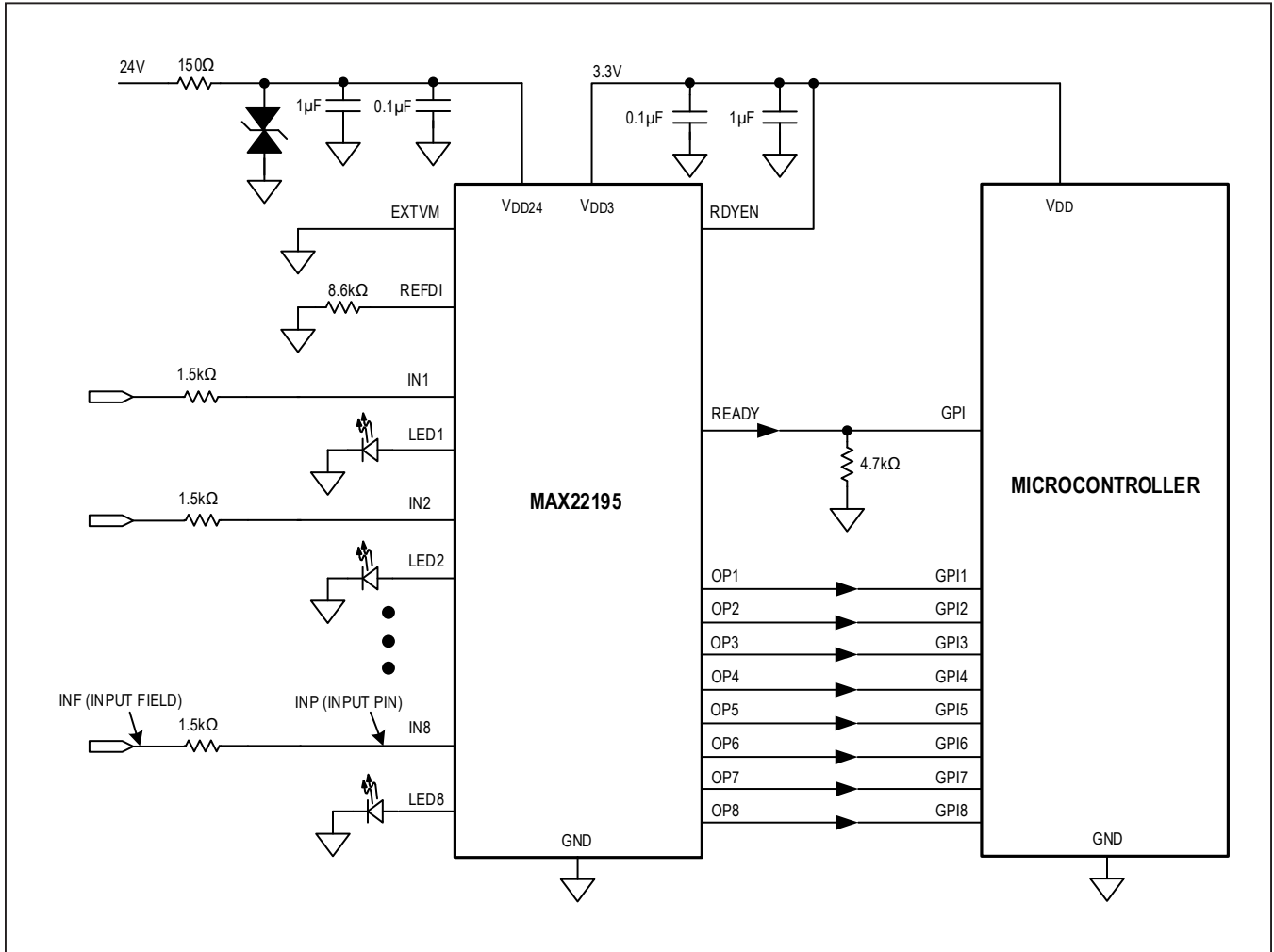
- Programmable Logic Controllers
- Industrial Automation
- Process Automation
- Building Automation

Benefits and Features

- High-Speed, Industrial Digital Inputs
 - 300ns Maximum Propagation Delay
 - ± 10 ns Maximum Channel-to-Channel Skew
 - Parallel Output for Simultaneous Signal Delivery
- High Integration Reduces BOM Count and Board Space
 - Operates Directly from Field Supply (7V to 65V)
 - Compatible with 3.3V or 5V Logic
 - 5mm x 5mm, 32-TQFN Package
- Low Power and Low Heat Dissipation
 - Low Quiescent Current (1.2mA Maximum)
 - Accurate Input Current-Limiters
 - Energyless Field-Side LED Drivers
- Fault Tolerant with Built-In Diagnostics
 - Integrated Field-Side Supply Monitor
 - Integrated Over-Temperature Monitor
 - Current-Setting Resistor Monitor
- Configurability Enables Wide Range of Applications
 - Configurable IEC 61131-2 Types 1, 2, 3 Inputs
 - Configurable Input Current Limiting from 0.56mA to 3.97mA
- Robust Design
 - ± 1 kV Surge Tolerant using Minimum 1k Ω Resistor
 - ± 8 kV Contact ESD and ± 15 kV Air Gap ESD Using Minimum 1k Ω Resistor
 - -40°C to $+125^{\circ}\text{C}$ Ambient Operating Temperature

Ordering Information appears at end of data sheet.

Octal Digital Input with Parallel Output



Absolute Maximum Ratings

V _{DD3} to GND	-0.3V to +6V	Continuous Power Dissipation	
V _{DD24} to GND.....	-0.3V to +70V	Multilayer Board T _A = +70°C.....	2222mW
OP1–OP8	-0.3V to V _{DD3} + 0.3V	Derate above +70°C.....	27.80mW/°C
IN1–IN8 to GND	-40V to +40V	Operating Temperature Range.....	+125°C
REFD1 to GND.....	-0.3V to V _{DD3} + 0.3V	Maximum Junction Temperature	+150°C
READY, RDYEN to GND.....	-0.3V to +6V	Storage Temperature Range.....	-65°C to +150°C
EXTVM to GND.....	-0.3V to +6V	Lead Temperature (soldering, 10s)	+300°C
LED1–LED8 to GND	-0.3V to +6V	Soldering(reflow)	+260°C

Stresses beyond those listed under "Absolute Maximum Ratings" may cause permanent damage to the device. These are stress ratings only, and functional operation of the device at these or any other conditions beyond those indicated in the operational sections of the specifications is not implied. Exposure to absolute maximum rating conditions for extended periods may affect device reliability.

Package Information

PACKAGE TYPE: 32 TQFN	
Package Code	T3255+6
Outline Number	21-0140
Land Pattern Number	90-0603
THERMAL RESISTANCE, MULTILAYER BOARD	
Junction to Ambient (θ _{JA})	36°C/W
Junction to Case (θ _{JC})	3°C/W

For the latest package outline information and land patterns (footprints), go to www.maximintegrated.com/packages. Note that a "+", "#", or "-" in the package code indicates RoHS status only. Package drawings may show a different suffix character, but the drawing pertains to the package regardless of RoHS status.

Package thermal resistances were obtained using the method described in JEDEC specification JESD51-7, using a four-layer board. For detailed information on package thermal considerations, refer to www.maximintegrated.com/thermal-tutorial.

DC Electrical Characteristics

V_{DD3} to GND = +3.0V to +5.5V, T_A = -40°C to +125°C, unless otherwise noted. C_L on OP1-OP8 = 15pF. Typical values are at V_{DD3} to GND = +3.3V, V_{DD24} to GND = +24V, Field Inputs IN1-IN8 = +24V, and T_A = +25°C. (Note 1)

PARAMETER	SYMBOL	CONDITIONS	MIN	TYP	MAX	UNITS
POWER SUPPLIES						
Supply Voltage	V_{DD24}	Normal operation	7		65	V
	V_{DD3}	Powered from an external power supply	3.0		5.5	V
Supply Current Powered from V_{DD24}	I_{DD24}	V_{DD24} = 24V, IN1-IN8 = 0V, LED_ = GND, no load on OP1-OP8		0.6	1.2	mA
Supply Current Powered from V_{DD3}	I_{DD3}	V_{DD3} = 3.3V, IN1-IN8 = 0V, LED_ = GND, no load on OP1-OP8, V_{DD24} floating		0.6	1.2	mA
V_{DD3} Undervoltage-Lockout Threshold	V_{UVLO3}	Powered from V_{DD3} , V_{DD3} rising V_{DD24} floating	2.4		2.9	V
V_{DD3} Undervoltage-Lockout Threshold Hysteresis	$V_{UVHYST3}$			0.07		V
V_{DD24} READY Threshold	V_{READY_24VR}	V_{DD24} rising, EXTVM = GND	13.8	14.6	15.4	V
	V_{READY_24VF}	V_{DD24} falling, EXTVM = GND	13.3	14.1	15.0	V
V_{DD24} Undervoltage-Lockout Threshold	V_{UVLO24}	V_{DD24} rising	6.0		6.8	V
V_{DD24} Undervoltage-Lockout Threshold Hysteresis	$V_{UVHYST24}$			0.45		V
Regulator Output Voltage	V_{DD3}	I_{LOAD} = 1mA, V_{DD24} = 7V to 65V	3.0	3.3	3.6	V
Line Regulation	d V_{DDLIN}	I_{LOAD} = 1mA, V_{DD24} = 12V to 24V		0		mV
Load Regulation	d $V_{DDLLOAD}$	I_{LOAD} = 1mA to 10mA, V_{DD24} = 12V		1		mV
Short-Circuit Current Limit	I_{DD24_SC}	V_{DD24} current when V_{DD3} short to GND, V_{DD24} = 12V	28	37.5	50	mA
VDD24 MONITOR						
EXTVM Glitch Filter				3		μs
EXTVM Threshold Off to On	$V_{24TH_OFF_ON}$	V_{DD24} rising	0.77	0.81	0.84	V
EXTVM Threshold On to Off	$V_{24TH_ON_OFF}$	V_{DD24} falling	0.74	0.79	0.82	V
External EXTVM Selection Threshold	EXTVM_SEL			0.3		V
External EXTVM Selectable V_{DD24} Threshold	EXTVM_VDD24		10		30	V
EXTVM Leakage Current	I_{EXTVM_L}		-1		1	μA
THERMAL SHUTDOWN						
Thermal-Shutdown Threshold	T_{SHDN}	V_{DD3} internal regulator off		165		°C
Thermal-Shutdown Hysteresis	T_{SHDN_HYS}			10		°C

DC Electrical Characteristics (continued)

V_{DD3} to GND = +3.0V to +5.5V, T_A = -40°C to +125°C, unless otherwise noted. C_L on OP1-OP8 = 15pF. Typical values are at V_{DD3} to GND = +3.3V, V_{DD24} to GND = +24V, Field Inputs IN1-IN8 = +24V, and T_A = +25°C. (Note 1)

PARAMETER	SYMBOL	CONDITIONS	MIN	TYP	MAX	UNITS
CURRENT LIMITING SETTING						
REFDI Voltage	V_{REFDI}			0.61		V
Current-Limit Setting Resistor	R_{REFDI}		5.2	8.6	36	k Ω
REFDI Pin Short	REFDI_S	Increasing current at pin REFDI		550		μ A
		Decreasing current at pin REFDI		548		μ A
REFDI Pin Open	REFDI_O	Increasing current at pin REFDI		4.46		μ A
		Decreasing current at pin REFDI		7.21		μ A
IC INPUTS (TYPE 1, 2, 3)						
Input Current Limit		$-40V < V_{IN_} < 0V$, $V_{IN_}$ at IN1 - IN8 pins		100		μ A
LED On-State Current	I_{LED_ON}	$R_{REFDI} = 8.6k\Omega$, $V_{LED} = 3V$	1.5			mA
DI Leakage, Current Sources Disabled	I_{DI_LEAK}	IN1 – IN8 = 28V	40	58	80	μ A
		IN1 – IN8 = 6V	8	11.4	16	
Input Threshold Low-to-High	V_{THP+}	IN1 – IN8		5.6	6	V
Input Threshold High-to-Low	V_{THP-}	IN1 – IN8	4.4	4.7		V
Input Threshold Hysteresis	$V_{INPHYST}$	IN1 – IN8		0.9		V
FIELD INPUTS TYPE 1, 3: (EXTERNAL SERIES RESISTOR $R_{IN} = 1.5k\Omega$, $R_{REFDI} = 8.6k\Omega$)						
Field-Input Current Limit	I_{INLIM}	$6V (V_{THP+} MAX) \leq V_{IN_}$ at the pin $\leq 28V$, LED on, $R_{REFDI} = 8.6k\Omega$ (Note 2)	2.15	2.40	2.65	mA
Field Input Threshold Low-to-High	V_{INF+}	$R_{REFDI} = 8.6k\Omega$, 1.5k Ω external series resistor			10	V
Field Input Threshold High-to-Low	V_{INF-}	$R_{REFDI} = 8.6k\Omega$, 1.5k Ω external series resistor	8			V
FIELD INPUTS TYPE 2: (EXTERNAL SERIES RESISTOR $R_{IN} = 1k\Omega$, $R_{REFDI} = 5.2k\Omega$)						
Field-Input Current Limit	I_{INLIM}	$6V (V_{THP+} MAX) \leq V_{IN_}$ at the pin $\leq 28V$, LED on, $R_{REFDI} = 5.2k\Omega$ (Note 2)	3.55	3.97	4.39	mA
Field Input Threshold Low-to-High	V_{INF+}	$R_{REFDI} = 5.2k\Omega$, 1k Ω external series resistor			10	V
Field Input Threshold High-to-Low	V_{INF-}	$R_{REFDI} = 5.2k\Omega$, 1k Ω external series resistor	8			V
LOGIC INPUT (RDYEN)						
Input Logic-High Voltage	V_{IH}		0.7 x			V
Input Logic-Low Voltage	V_{IL}				0.3 x	V
Input Pulldown Resistance	R_{PD}			199		k Ω

DC Electrical Characteristics (continued)

V_{DD3} to GND = +3.0V to +5.5V, T_A = -40°C to +125°C, unless otherwise noted. C_L on OP1-OP8 = 15pF. Typical values are at V_{DD3} to GND = +3.3V, V_{DD24} to GND = +24V, Field Inputs IN1-IN8 = +24V, and T_A = +25°C. (Note 1)

PARAMETER	SYMBOL	CONDITIONS	MIN	TYP	MAX	UNITS
LOGIC OUTPUT (OP1-OP8, READY)						
Output Logic-High Voltage	V_{OH}	Sourcing 4mA	$V_{DD3} - 0.4$			V
Output Logic-Low Voltage	V_{OL}	Sinking 4mA			0.4	V
DYNAMIC CHARACTERISTICS (OP1-OP8)						
Propagation Delay Low-to-High (Figure 1)	t_{PDLH}	IN ₋ to OP ₋ , $R_{IN} = 1.5k\Omega$, IN ₋ = 11V and 36V			300	ns
Propagation Delay High-to-Low (Figure 1)	t_{PDHL}	IN ₋ to OP ₋ , $R_{IN} = 1.5k\Omega$, IN ₋ = 11V and 36V			300	ns
Propagation Delay Skew Channel-to-Channel (Figure 1)	t_{PDSKEW_CH}	IN ₋ to OP ₋ , $R_{IN} = 1.5k\Omega$, IN ₋ = 11V and 36V	-10		10	ns
Propagation Delay Skew Part-to-Part (Figure 1)	t_{PDSKEW_PART}	IN ₋ to OP ₋ , $R_{IN} = 1.5k\Omega$, IN ₋ = 11V and 36V, All conditions are the same between parts	-200		+200	ns
Propagation Delay Jitter	t_{PDJ_R}	Output Rising, $V_{DD3} = 3.3V$, IN ₋ = 24V		40		ps
	t_{PDJ_F}	Output Falling, $V_{DD3} = 3.3V$, IN ₋ = 24V		50		ps
Detectable Pulse Width (Figure 1)	t_{PW}	IN ₋ to OP ₋ , $R_{IN} = 1.5k\Omega$, IN ₋ = 11V and 36V	220			ns
Pulse Width Distortion	PWD	$ t_{PDLH} - t_{PDHL} $	0		180	ns

Note 1: All units are production tested at $T_A = +25^\circ\text{C}$. Specifications over temperature are guaranteed by design.

Note 2: External resistor REFDI is selected to set any desired current limit between 0.56mA to 3.97mA (typical values). The current limit accuracy of $\pm 10.6\%$ is guaranteed for values greater or equal to 2mA.

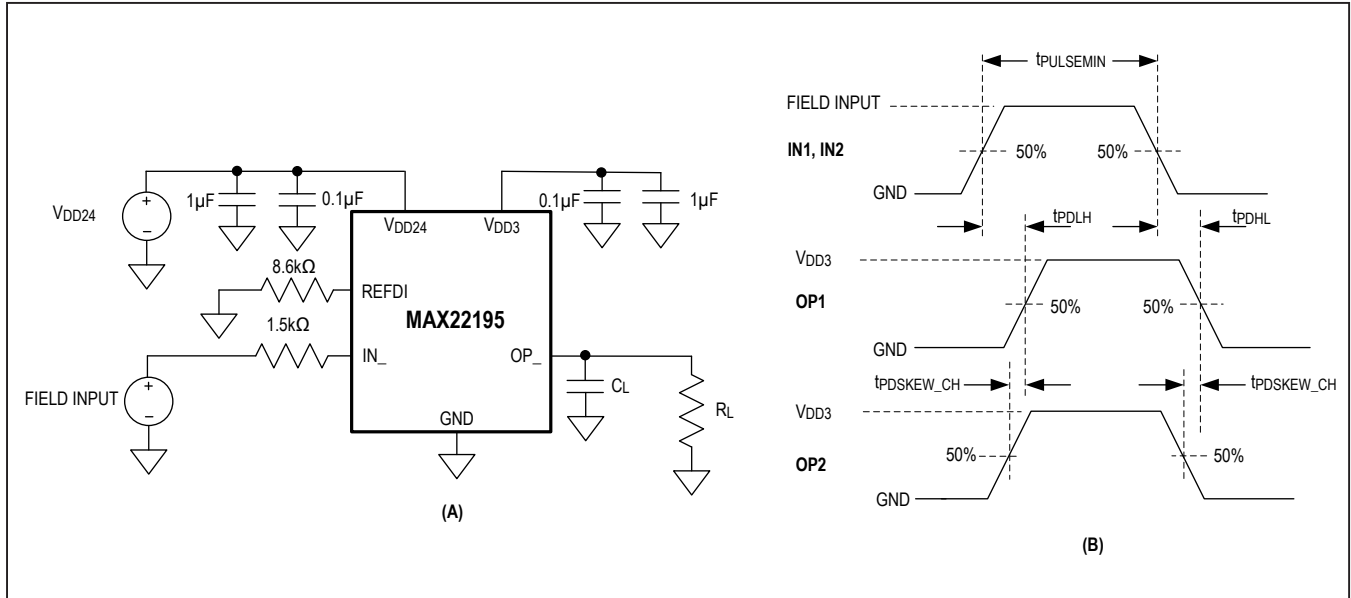


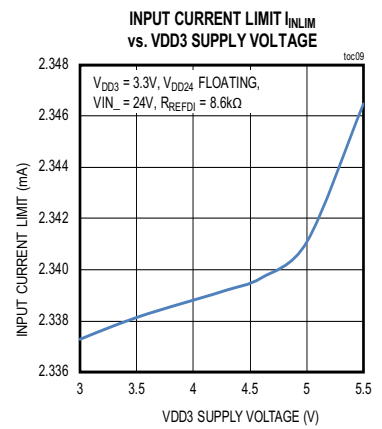
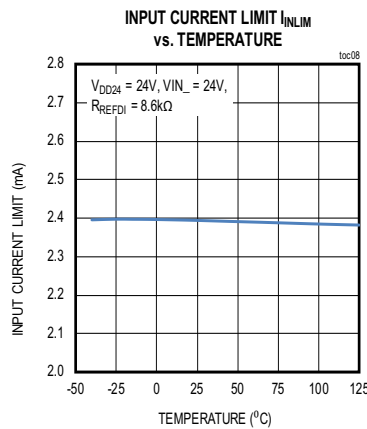
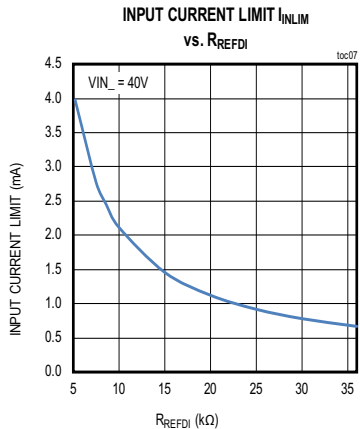
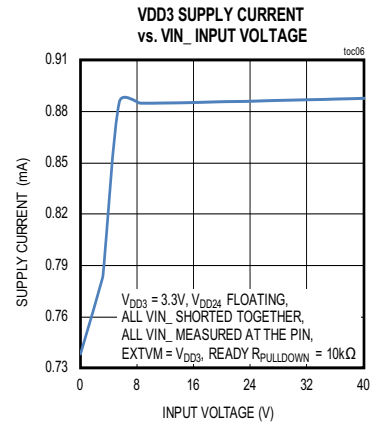
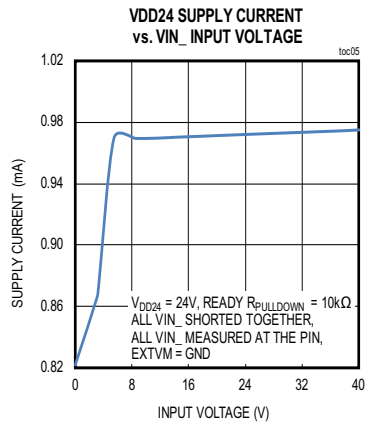
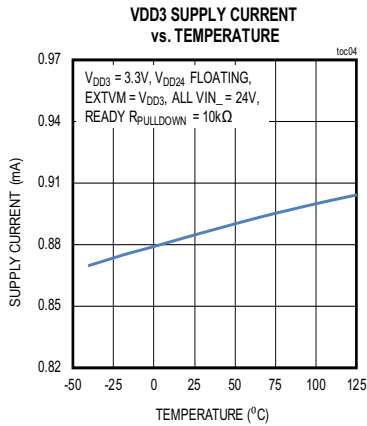
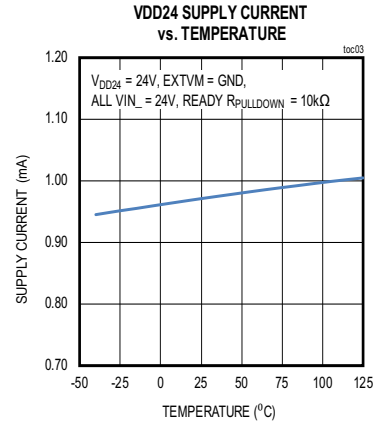
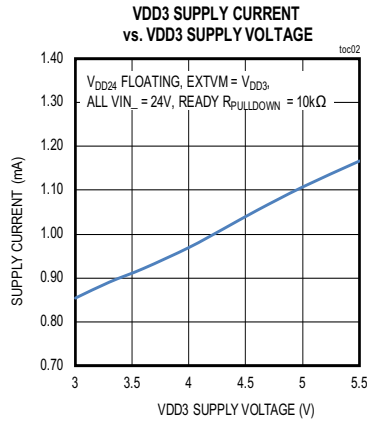
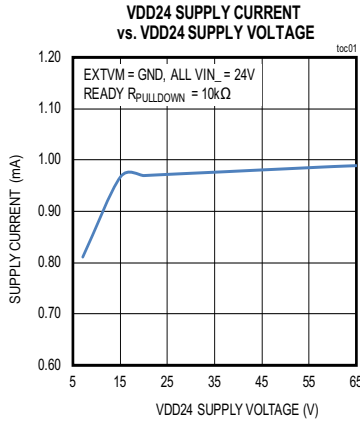
Figure 1. Test Circuit (A) and Timing Diagram (B)

ESD and EMC Characteristics

PARAMETER	SYMBOL	CONDITIONS	VALUE	UNITS
Surge	Line-to-Line	IEC 61000-4-5, 1.2/50μs pulse, minimum 1kΩ resistor in series with IN1–IN8	±2	kV
	Line-to-Ground	IEC 61000-4-5, 1.2/50μs pulse, minimum 1kΩ resistor in series with IN1–IN8	±1	
ESD	Human Body Model	All Pins	±2	
	Contact Discharge	IEC 61000-4-2, minimum 1kΩ resistor in series with IN1–IN8	±8	
	Air-Gap Discharge	IEC 61000-4-2, minimum 1kΩ resistor in series with IN1–IN8	±15	

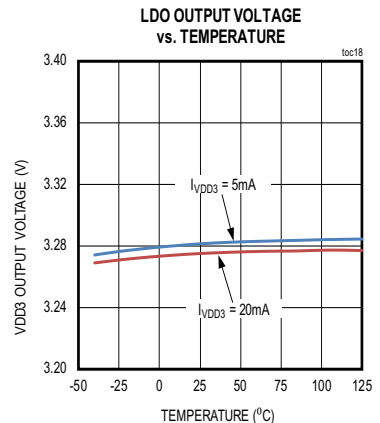
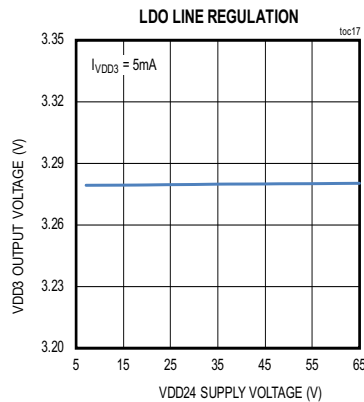
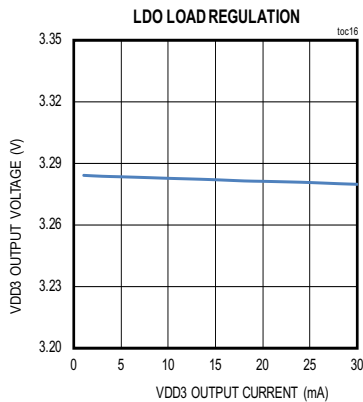
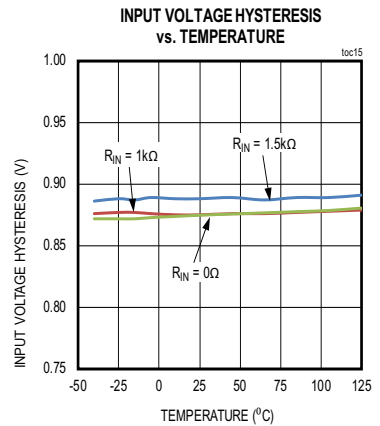
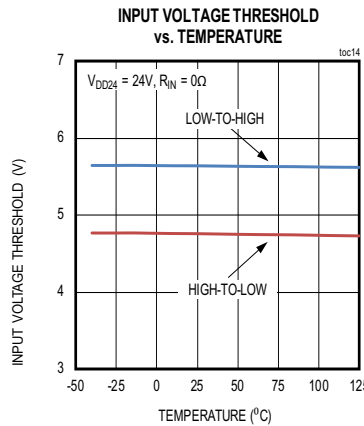
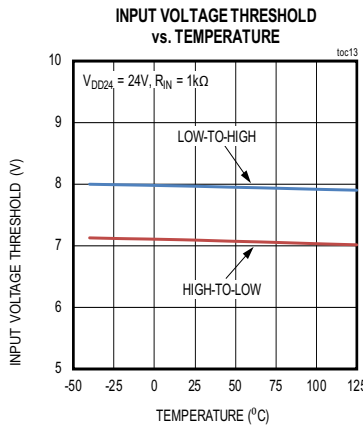
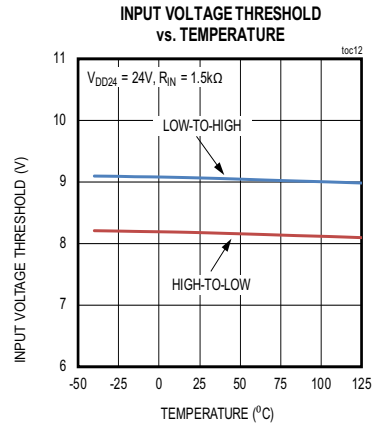
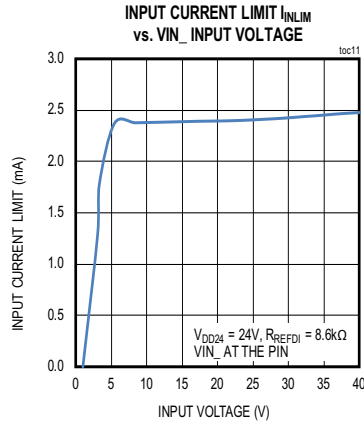
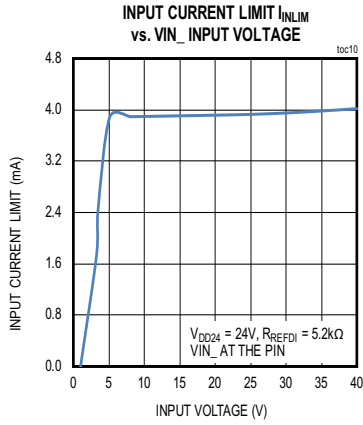
Typical Operating Characteristics

V_{DD24} = 24V, V_{DD3} = 3.3V, T_A = +25°C, R_{REFDI} = 8.6kΩ or 5.2kΩ, R_{IN} = 1.5kΩ or 1kΩ, unless otherwise noted.



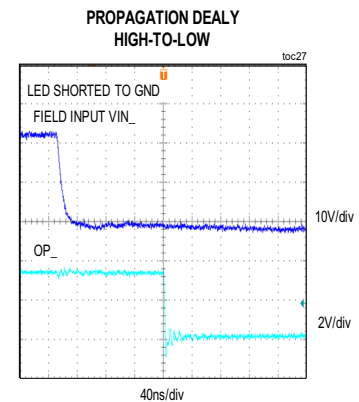
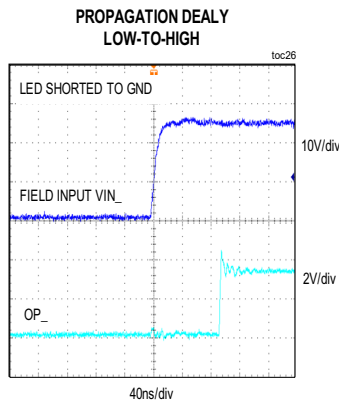
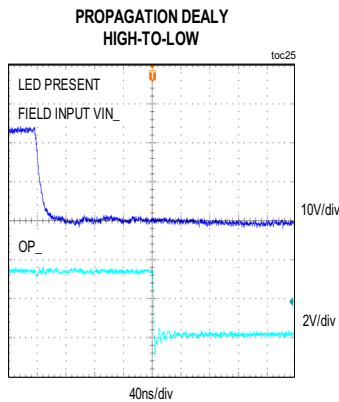
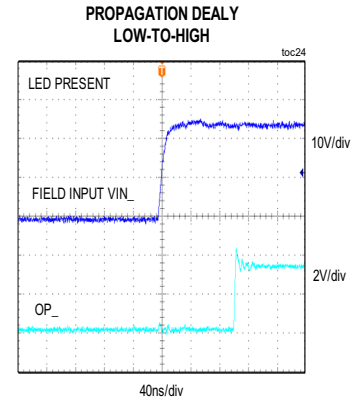
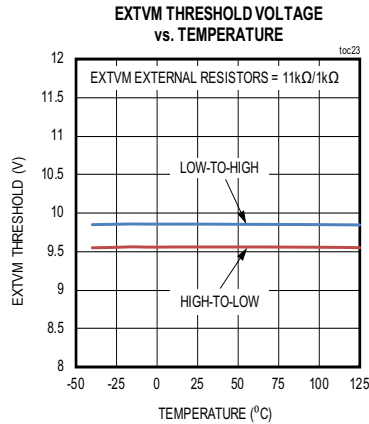
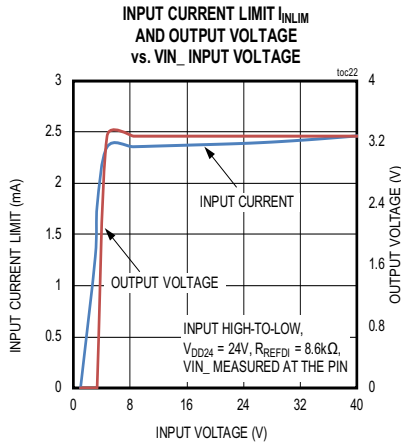
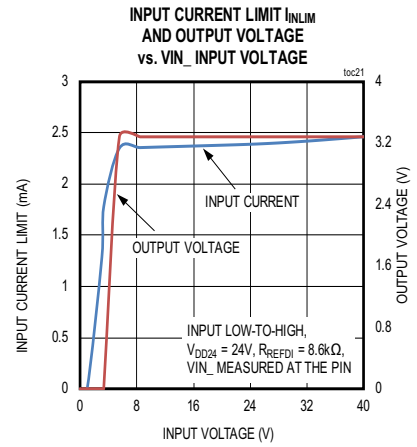
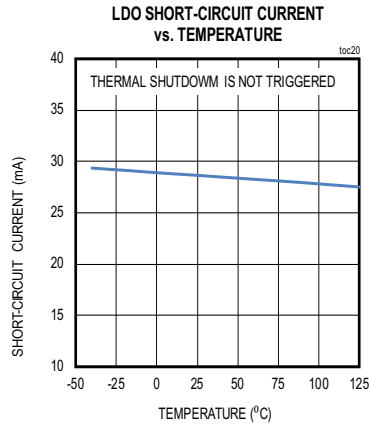
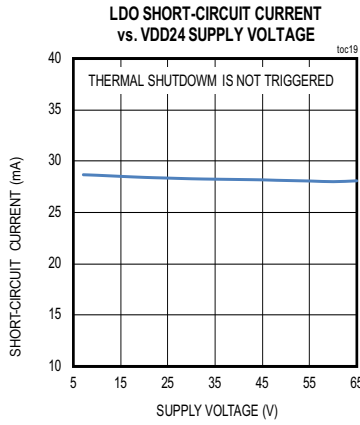
Typical Operating Characteristics (continued)

$V_{DD24} = 24V$, $V_{DD3} = 3.3V$, $T_A = +25^\circ C$, $R_{REFDI} = 8.6k\Omega$ or $5.2k\Omega$, $R_{IN} = 1.5k\Omega$ or $1k\Omega$, unless otherwise noted.

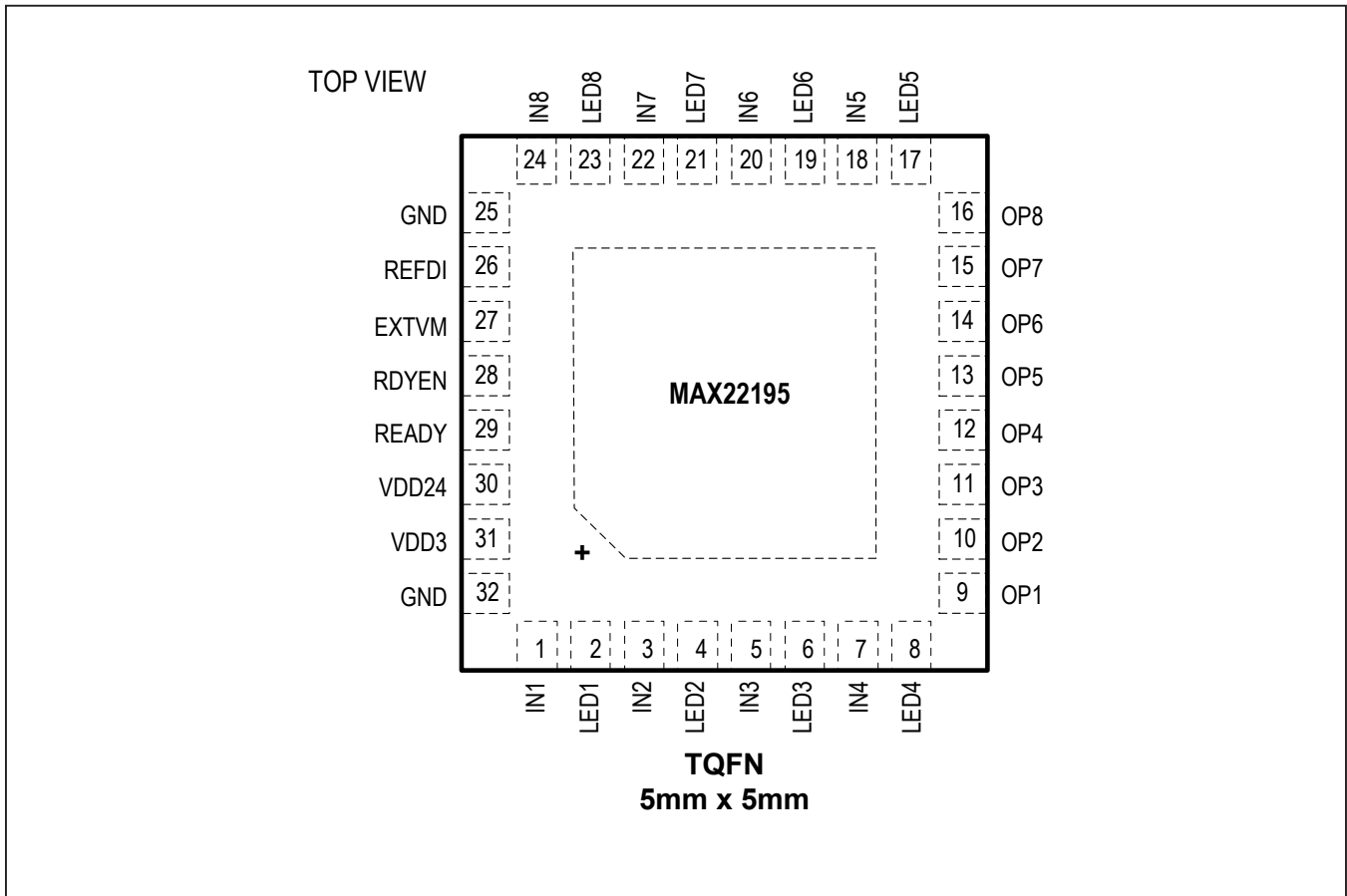


Typical Operating Characteristics (continued)

$V_{DD24} = 24V$, $V_{DD3} = 3.3V$, $T_A = +25^\circ C$, $R_{REFDI} = 8.6k\Omega$ or $5.2k\Omega$, $R_{IN} = 1.5k\Omega$ or $1k\Omega$, unless otherwise noted.



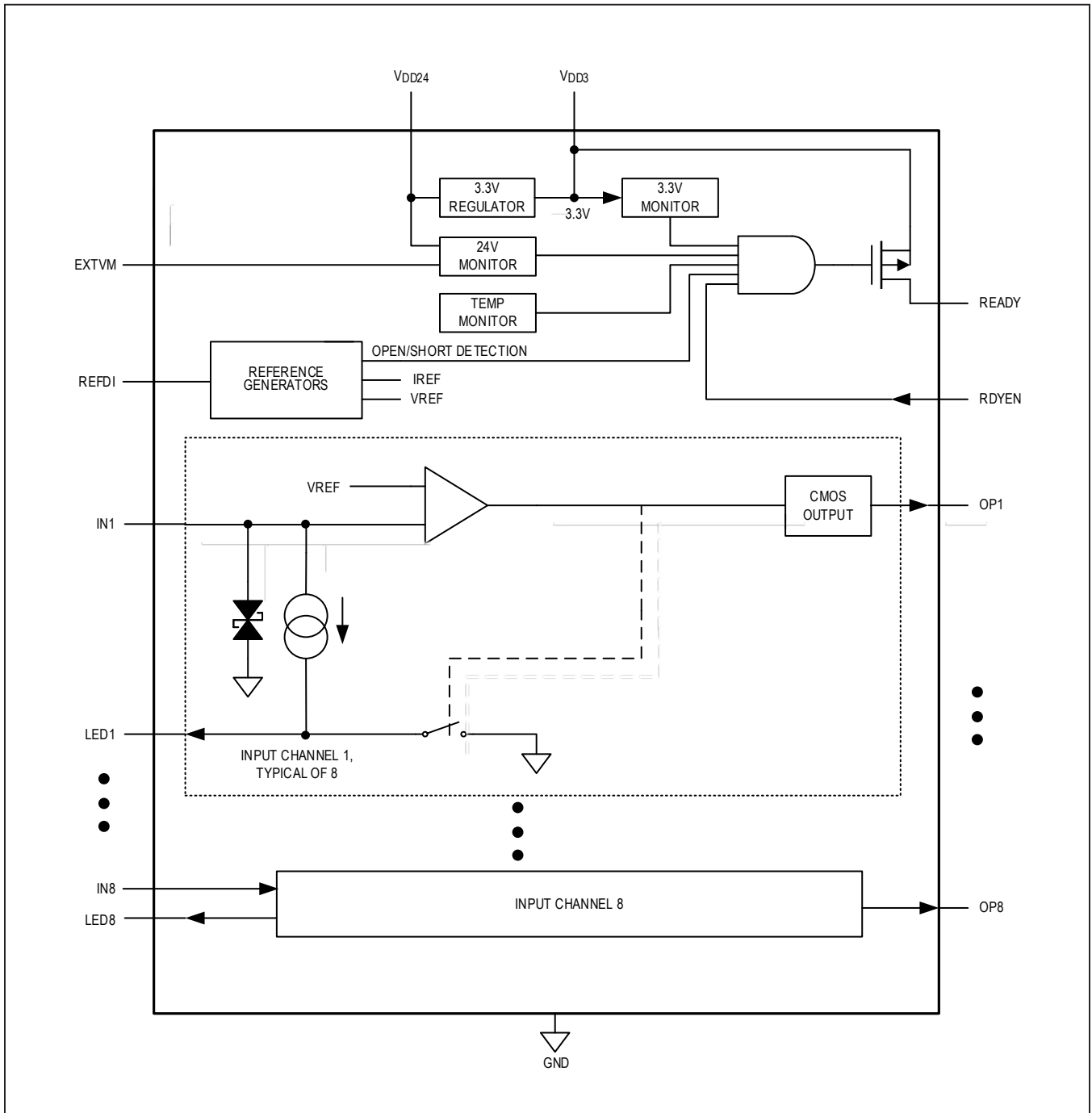
Pin Configuration



Pin Description

PIN	NAME	FUNCTION
POWER SUPPLY		
30	V _{DD24}	24V Field Supply. Bypass to GND with 0.1μF capacitor in parallel with 1μF capacitor.
31	V _{DD3}	3.3V output from integrated LDO when powered from V _{DD24} , or 3.0 - 5.5V supply input when V _{DD24} not driven. Bypass to GND with 0.1μF capacitor in parallel with 1μF capacitor. If powering V _{DD3} from an external supply, leave V _{DD24} floating. V _{DD3} output is turned off during thermal shutdown.
25, 32	GND	Ground Return for All Signals and the Power Supplies
EP	-	Exposed Pad. Connect to GND. Solder entire exposed pad area to ground plane with multiple vias for best thermal performance. EP = exposed pad on the back of the package
ANALOG PINS		
27	EXTVM	Connect EXTVM to GND to use internal thresholds (14V, typical) for V _{DD24} voltage monitoring. Connect EXTVM to external resistive divider to set external thresholds for V _{DD24} voltage monitoring. Connect EXTVM to V _{DD3} to disable V _{DD24} voltage monitoring at READY pin if the device is powered by V _{DD3} .
26	REFDI	Digital Input Current-Limit Reference Resistor. For 24V Type 1 and Type 3 inputs, place a 8.6kΩ resistor from REFDI to GND. For Type 2 inputs, place a 5.2kΩ resistor from REFDI to GND.
FIELD INPUTS PINS		
1,3,5,7,18, 20,22,24	IN1-IN8 respectively	Field Inputs. For 24V Type 1 and Type 3 inputs, place a 1.5kΩ MELF resistor between the field input and IN_ pin. For Type 2 inputs, place a 1kΩ MELF resistor between the field input and IN_ pin.
2,4,6,8,17, 19,21,23	LED1-LED8 respectively	Energyless LED Driver Outputs. Connect to GND if LEDs are not used.
LOGIC PINS		
9,10,11,12, 13,14,15,16	OP1-OP8 respectively	Logic Outputs. Indicate the state (high or low) of IN1-IN8. High level is V _{DD3} . Low level is GND. If thermal shutdown is triggered, OP1-OP8 are high-impedance.
28	RDYEN	Ready Enable. Has a weak internal pulldown. Assert high to enable the READY output. Cascade the READY signal of multiple devices through a single isolator or a microcontroller input pin by connecting the READY output of each device to the RDYEN input of the next device in the chain. READY from the last device in the chain drives the isolator input, or the microcontrol GPI.
29	READY	Open-drain output. Connect a pulldown resistor between READY and GND pin. Assert high to indicate the device is functional and the outputs are valid. The following conditions must be met for READY to assert high: <ol style="list-style-type: none"> V_{DD3} is above the UVLO threshold. REFDI is not open or shorted to GND. MAX22195 is not in Thermal Shutdown. RDYEN is high. V_{DD24} is valid if the device is powered by V_{DD24} and EXTVM is not connected to V_{DD3}.

Functional/Block Diagram



Detailed Description

The MAX22195 senses the state (on, high or off, low) of each input (IN1-IN8). The voltages at the IN1-IN8 input pins are compared against internal references to determine whether the sensor is on (logic 1) or off (logic 0). Placing a 8.6kΩ current-setting resistor between REFDI and GND, and a 1.5kΩ resistor in series with each input ensures that the current at the on and off trip points as well as the voltage at the trip points satisfy the requirements of IEC 61131-2 for Type 1 and Type 3 inputs (Figure 2). The current sunk by each input pin rises linearly with input voltage until the level set by the current-limiter is reached; any voltage increase beyond this point does not increase the input current. Limiting the input current ensures compliance with IEC 61131-2 while significantly reducing power dissipation compared to traditional resistive inputs.

The current-setting resistor R_{REFDI} can be calculated using this equation:

$$I_{INLIM} [mA] = V_{IN} / 517 [V/k\Omega] + 20.5 / R_{REFDI} [V/k\Omega]$$

where V_{IN} is 5.6V at the input pin during production test for the typical value of Type 1 and 3, and Type 2 current limits.

RDYEN and READY Monitor

The READY output is used to signal a logic-side controller that the field-side circuit is working. This allows the controller to distinguish from a valid reading of eight low inputs or an invalid reading caused by a field-side fault such as loss of power. The READY output is asserted high when the following five conditions are met: the UVLO voltage threshold for V_{DD3} is exceeded; the V_{DD24} field supply requirement is met as set by internal thresholds or EXTVM external thresholds if enabled; the device is not in thermal shutdown; current through the REFDI pin is in a reasonable range (7.21μA to 550μA); and the RDYEN is high.

Ready Enable RDYEN is used to cascade other READY signals through to a single digital isolation channel or a microcontroller GPI pin. Connect the READY output of one device to the RDYEN input of the next device in the chain. Connect the final READY output to a digital isolator or a microcontroller GPI pin. All READY signals must be high for the final READY signal to go high. READY is an open-drain PMOS output, driven to V_{DD3} for a high output and set at high-impedance for a low output. Refer to [Typical Operating Circuits](#) for details.

Outputs OP1 - OP8 are high-impedance only when thermal shutdown is triggered.

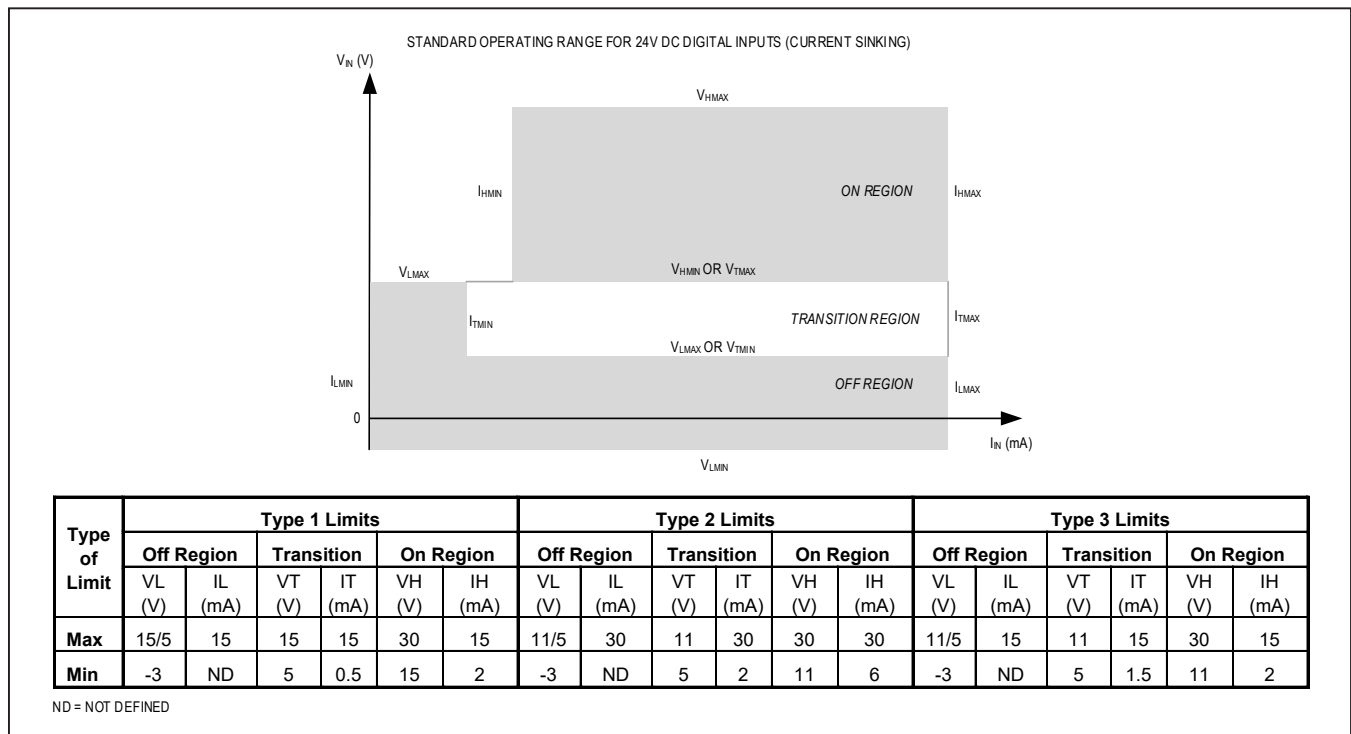


Figure 2. Switching Characteristics for IEC 61131-2 Type 1, 2, and 3 24VDC Digital Inputs

External VDD24 Voltage Monitor

The EXTVM input controls how the VDD24 field supply affects the READY output. When EXTVM is connected to VDD3, the status of the VDD24 field supply becomes a don't-care in the decision to assert READY. This is useful when the MAX22195 is being powered directly from a 3.3V supply on VDD3 and VDD24 is not in use. When EXTVM is connected to GND, the voltage on VDD24 must be above the nominal 14V threshold before READY asserted high. To use an user-defined VDD24 supply voltage threshold, use an external resistive divider to apply an analog voltage directly to EXTVM. The voltage at EXTVM must be greater than the threshold, 0.81V (VREF) nominal, before READY asserted high. [Figure 3](#) shows an example of the VDD24 being monitored with the use of external resistive divider to set a nominal threshold before READY asserted high.

$$V_{DD24} = V_{REF} (1 + (R2/R1))$$

Short/Open Detection at REFDI Pin

Short or open detection at REFDI pin is implemented by monitoring the current set by REFDI pin. When more than 550µA current is detected, meaning a short at REFDI, the 2mA minimum input current is not guaranteed, and field input low-to-high and high-to-low thresholds are changed. When less than 7.21µA current is detected, meaning an open at REFDI, the 2mA minimum input current is not guaranteed. When open or short at REFDI pin is detected, the READY pin is not asserted.

Energiless LED Drivers

When IN_ is determined to be on, its input current is diverted to the LED_ pin and flows from that pin to GND.

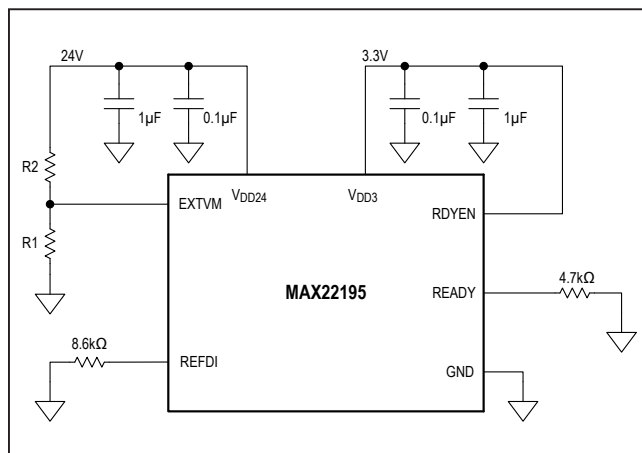


Figure 3. User-Defined VDD24 Threshold Set by EXTVM and External Resistive Divider

Placing an LED between LED_ and GND provides an indication of the input state without increasing overall power dissipation. If the indicator LEDs are not used, connect LED_ to GND.

Surge Protection

Placing a minimum 1kΩ pulse withstanding or MELF resistor in series with each input allows the robust ESD structures on each field-input pins to provide surge protection up to ±2kV line-to-line or ±1kV line-to-ground. During a surge event, the protection at IN_ pins clamps the input to reduce power dissipation, and releases the input when the surge current has dissipated. It is not recommended to have a capacitor at the input pin if surge performance is required.

Type 2 Sensor Inputs

The additional input current (6mA min) and associated power dissipation of Type 2 input require the use of two MAX22195 inputs in parallel. The current of each channel is set to a nominal 3.97mA (7.9mA total) by placing a 5.2kΩ resistor from REFDI to GND. The proper voltage drop across the input resistor is maintained by reducing the resistance from 1.5kΩ to 1kΩ for each MAX22195 input channel. If lower input current is desired, the REFDI resistor can be increased to 5.76kΩ or higher as long as the 6mA minimum input current for Type 2 is met. For proper surge protection, it is important that each MAX22195 input has its own resistor. Any two MAX22195 channels may be used; they need not be continuous ([Figure 4](#)). Either channel may be read to determine the input state. The additional power dissipation from this Type 2 configuration reduces the maximum ambient operating temperature to 120°C, when all inputs are at 30V, and the MAX22195s are powered from a 30V field supply and there is no additional load on VDD3.

Thermal Considerations

The MAX22195 will operate at an ambient temperature of 125°C on a properly designed multilayer PC board. Operating at higher voltages, or with heavy output loads such as optical isolators will increase power dissipation and reduce the maximum allowable operating temperature. See [Package Information](#) section and [Absolute Maximum Ratings](#) section for safety operation temperature and maximum power dissipation.

The MAX22195 is in thermal shutdown when the thermal shutdown temperature threshold is exceeded. During thermal shutdown, the internal voltage regulator, input channels, REFDI circuitry are all turned off, and outputs OP1-OP8 are high-impedance.

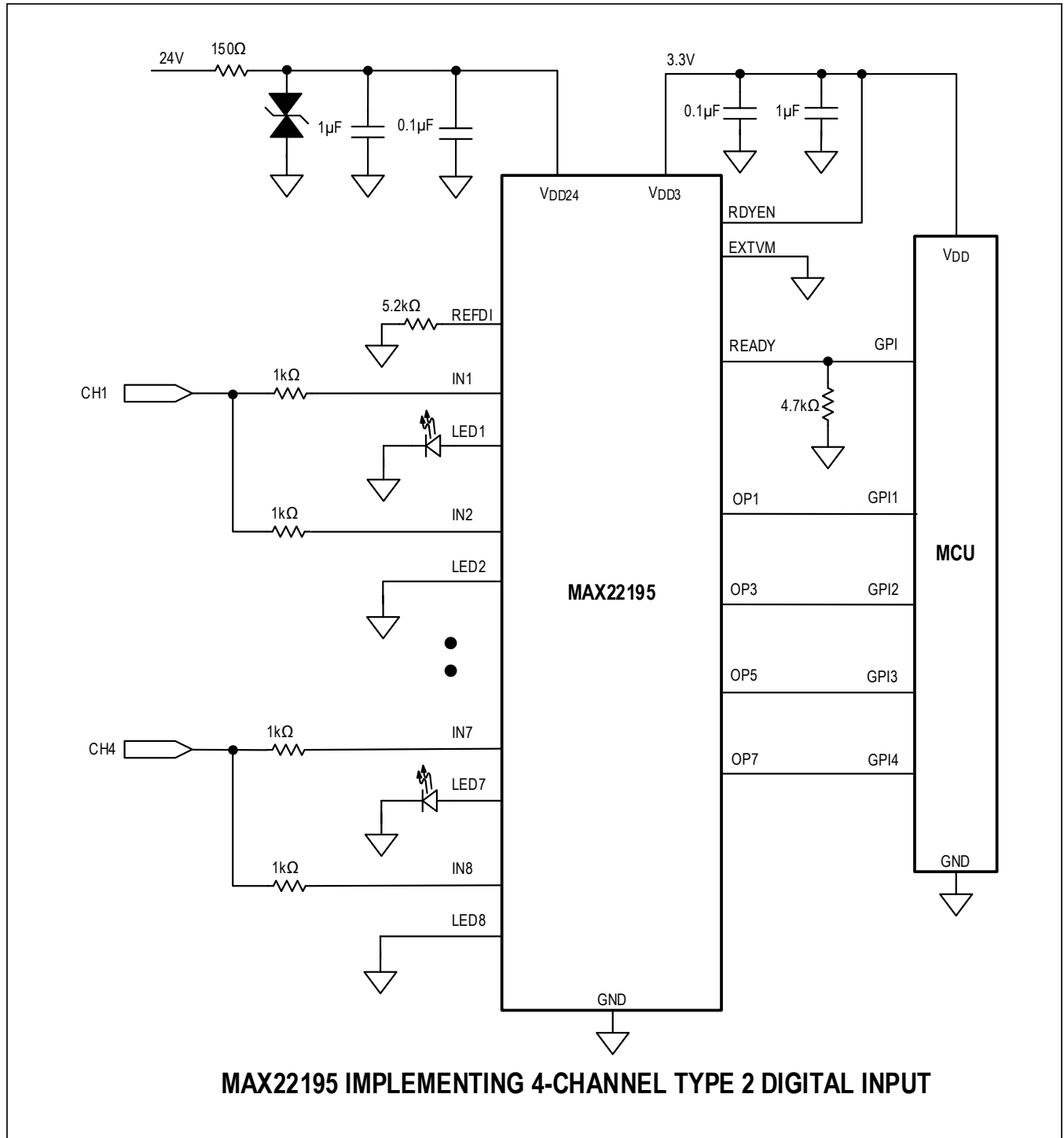


Figure 4. Implementing Type 2 Digital Inputs with MAX22195

Applications Information

Power Supply Decoupling

To reduce ripple and the chance of introducing data errors, bypass V_{DD24} and V_{DD3} with a $0.1\mu\text{F}$ low-ESR ceramic capacitor in parallel with $1\mu\text{F}$ ceramic capacitor to GND. Place the bypass capacitors as close as possible to the power supply input pins.

Powering MAX22195 with V_{DD3}

The MAX22195 can alternatively be powered using a 3.0 – 5.5V supply connected to the V_{DD3} pin. In this case, a 24V supply is no longer needed and the V_{DD24} pin must be left floating (not connected), see [Typical Operating Circuits](#) for details. This configuration has lower power consumption and heat dissipation since the on-chip LDO voltage regulator is disabled (the V_{DD24} undervoltage lockout is below threshold and automatically disables the LDO).

PCB Layout Recommendations

The PCB designer should follow some critical recommendations in order to get the best performance from the design.

- Keep the input/output traces as short as possible. Avoid using vias on the signals to make low-inductance paths.
- Have a solid ground plane underneath the entire exposed pad (EP) area with multiple thermal vias for best thermal performance.

- In order to achieve the highest EFT performance, it is recommended to have the GND plane around the REF_{DI} traces, and isolate the REF_{DI} traces from all input traces, especially IN₈, as much as possible. For example, route input traces and REF_{DI} traces on two different layers and have a GND plane on the inner layers in between.

EMC Standard Compliance

The MAX22195 is required to operate reliably in harsh industrial environment. Maxim does board-level immunity testing for products, such as the MAX22195 to address IEC 61000-4-x Transient Immunity Standards:

- IEC 61000-4-2 Electrostatic Discharge (ESD)
- IEC 61000-4-4 Electrical Fast Transient/Burst (EFT)
- IEC 61000-4-5 Surge Immunity

Maxim's proprietary process technology provides high ESD support with internal ESD structures, but external components are also required to absorb energy from burst and surge transients. The circuit with external components shown in [Figure 5](#) allows the device to operate in harsh industrial environments. Components were chosen to assist in suppression of voltage burst and surge transients, allowing the system to meet or exceed international EMC requirements. The system shown in [Figure 5](#), using the components shown in [Table 1](#), is designed to be robust against IEC ESD, EFT, and Surge specifications.

Table 1. Recommended Components for EMC compliance

COMPONENT	DESCRIPTION	REQUIRED/RECOMMENDED
C1	$1\mu\text{F}$, 100V ceramic capacitor	Required
C2	$0.1\mu\text{F}$, 100V low-ESR ceramic capacitor	Required
C3	$1\mu\text{F}$, 10V ceramic capacitor	Required
C4	$0.1\mu\text{F}$, 10V low-ESR ceramic capacitor	Required
C5	3.3nF , safety rated Y capacitor (2220)	Recommended
D1	TVS diode (SMAJ33CA or SM30T39AY)	Recommended
R1	150Ω , 1W pulse withstanding resistor (CMB0207 or similar)	Recommended
R2	$1.5\text{k}\Omega$ or $1\text{k}\Omega$, 1W pulse withstanding resistor (CMB0207 or similar)	Required
All other Resistors	$1/8\text{W}$ resistor	Required
D1 - D8	LEDs for visual input status indication	Recommended

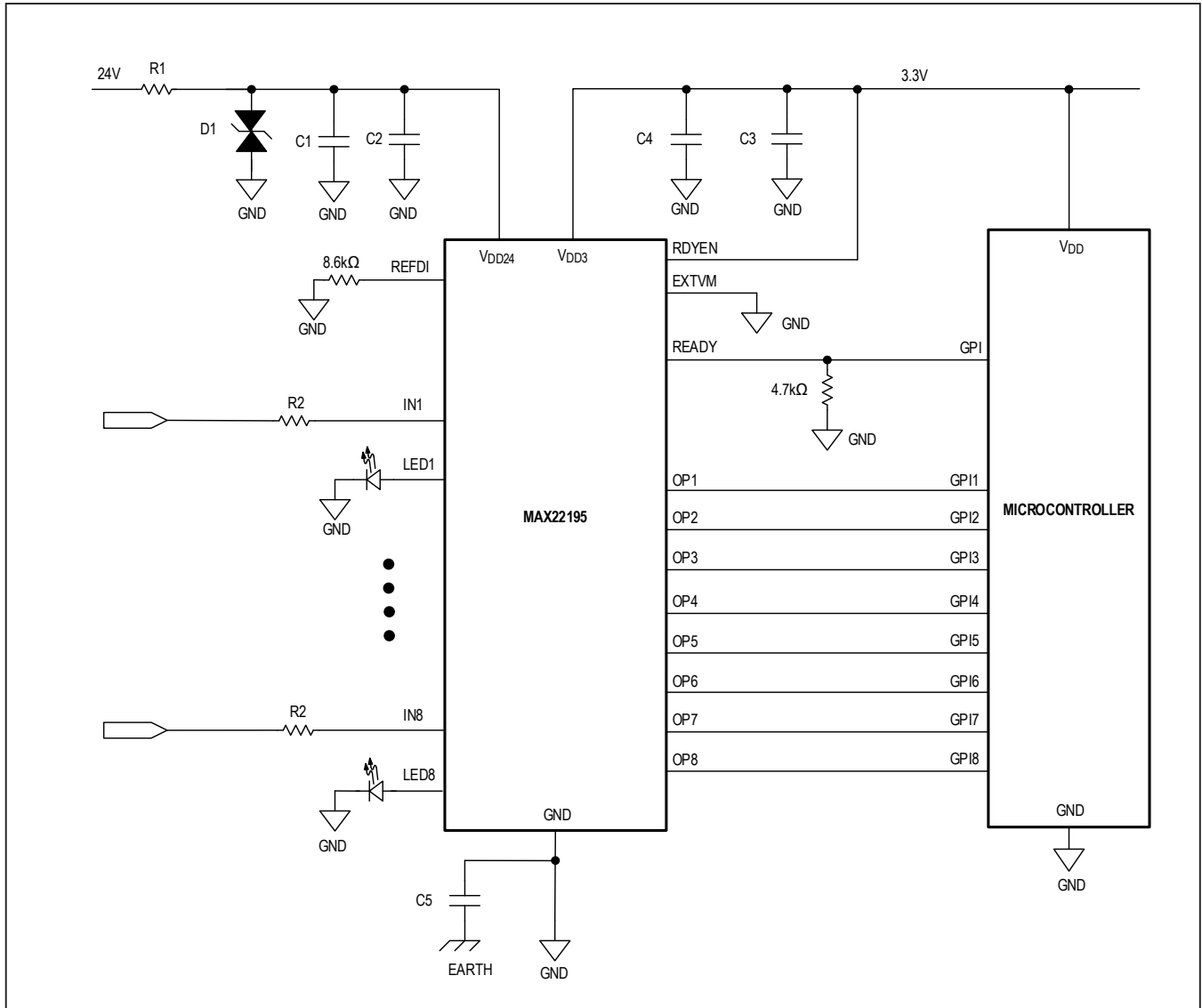


Figure 5. Typical EMC Protection Circuit for the MAX22195

Test Levels and Methodology

The MAX22195 is tested for Transient Immunity Standards, as specified in IEC 61000-4-x. These tests are for industrial equipment which are subjected to various transients. The three main tests are:

- IEC 61000-4-2: This ESD standard covering surges of tens of ns duration, is more stressful than other standards such as Human Body Model (HBM) or Machine Model (MM), both of which are tested as standard for all Maxim products.
- IEC 61000-4-4: This standard indicates the capability of the device or equipment to survive repetitive electrical fast transients and bursts which often occur from arcing contacts in switches and relays.
- IEC 61000-4-5: This standard indicates the capability of the device or equipment to survive surges caused by events such as lightning strikes or industrial power surges caused by switching heavy loads or short-circuit fault conditions.

In all these tests, the part or DUT is soldered onto an application board with bypass capacitors on power supply pins. In the case of the MAX22195, the standard Evaluation Kit (MAX22195EVKIT#) is used for these tests. [Table 2](#) details all equipment used in the Surge, EFT and ESD tests. The test results are shown in [Table 3](#).

IEC 61000-4-2 Electrostatic Discharge (ESD):

This is an international standard which gives immunity requirements and test procedures related to “electrostatic discharge”.

Contact Discharge Method: The electrode of the test generator is held in contact with the EUT, and the discharge actuated by the discharge switch within the generator.

Air-Gap Discharge Method: The charged electrode of the generator is brought close to the EUT, and the discharge actuated by a spark to the EUT.

An ESD Test Generator is used with a “sharp point” to make direct connection to the EUT (pin) under test for Contact ESD testing, and a “round tip” is added to the generator for air-gap ESD testing.

Output Voltage	Up to ±8kV (nominal) for contact discharge Up to ±15kV (nominal) for air-gap discharge
Polarity of the Output Voltage	Positive and negative
Holding time	At least 5 seconds
Number of Applications	10 consecutive ESD discharges for each polarity

Table 2. Equipment Used for EMC Tests

EQUIPMENT	DESCRIPTION	TEST(S)
MAX22195EVKIT#	Evaluation board with MAX22195 and recommended operating circuit	All
ESD Test Generator	Teseq NSG438 with Air-Gap Discharge Tip 403-826	Contact ESD and Air-Gap ESD
EFT/Surge Generator	Haefely Technology ECOMPACT4	EFT and Surge
Signal and Data Line Coupling Network	Teseq CDN 117	Surge
Coupler with 0.5µF Capacitor	INA 174A	Surge
Burst/EFT Data Line Coupling Clamp	Teseq CDN 3425	EFT

Table 3. Transient Immunity Test Results

TEST		RESULT (kV)	
IEC 61000-4-2 Electrostatic Discharge (ESD)	Contact ESD	±8	
	Air Gap ESD	±15	
IEC 61000-4-4 Electrical Fast Transient / Burst (EFT)	Line-to-Ground	±2	READY and OP1-OP8 operate without degradation of performance
		±4	OP1-OP8 operate without degradation of performance; READY signal is corrupted
IEC 61000-4-5 Surge Immunity	Line-to-Line	±2	
	Line-to-Ground	±1	

Transient Voltage Suppression (TVS) diodes are used to meet the ESD transient immunity requirements of IEC 61000-4-2. These diodes have extremely fast response times in order to respond to the 1ns rise time of the ESD pulse. [Figure 6a](#) shows the IEC 61000-4-2 model and [Figure 6b](#) shows the current waveform for IEC 61000-4-2 ESD Contact Discharge Test. The TVS diode clamps the incoming transients at a safe level to avoid damage to the semiconductor device.

IEC 61000-4-4 Electrical Fast Transient/Burst (EFT)

An EFT/Surge Generator with an output voltage range up to ±4kV with 50Ω load is used to generate the voltage waveforms defined by the IEC specification. The capacitive coupling clamp provides the ability to couple the fast transients (burst) from the EFT Generator to the pins of the MAX22195 without any galvanic connection to the MAX22195's pins. The waveform is shown in [Figure 7](#).

With EFT level up to ±2kV, the MAX22195 outputs OP1-OP8 and READY signal operate as normal without any loss

of function or performance. With EFT level up to ±4kV, the outputs OP1-OP8 still operate as normal, but the READY signal is corrupted.

Polarity	Positive and negative
Test Voltage	Up to ±4kV
Repetition Frequency	5kHz or 100kHz
Burst Duration	15ms (at 5kHz) or 0.75ms (at 100kHz)
Burst Period	300ms
Signal Applied To	Input ports (IN_) and Voltage Supply (V _{DD24})
Test Duration	60 seconds
Criterion	Criterion A up to ±2kV, performance within specification limits
	Criterion B up to ±4kV, temporary degradation of performance with READY signal corrupted

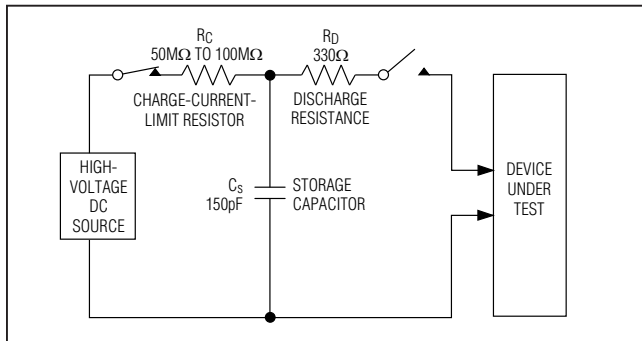


Figure 6a. Test Circuit

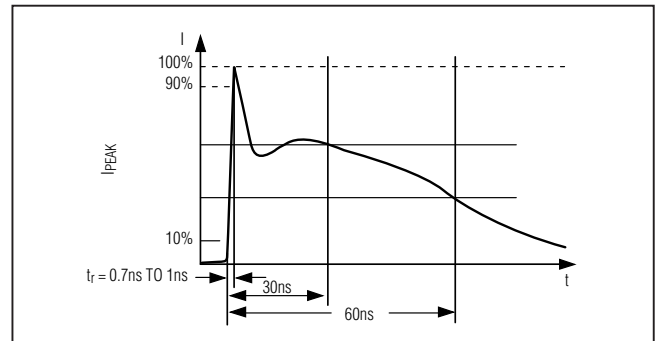


Figure 6b. Test Waveform

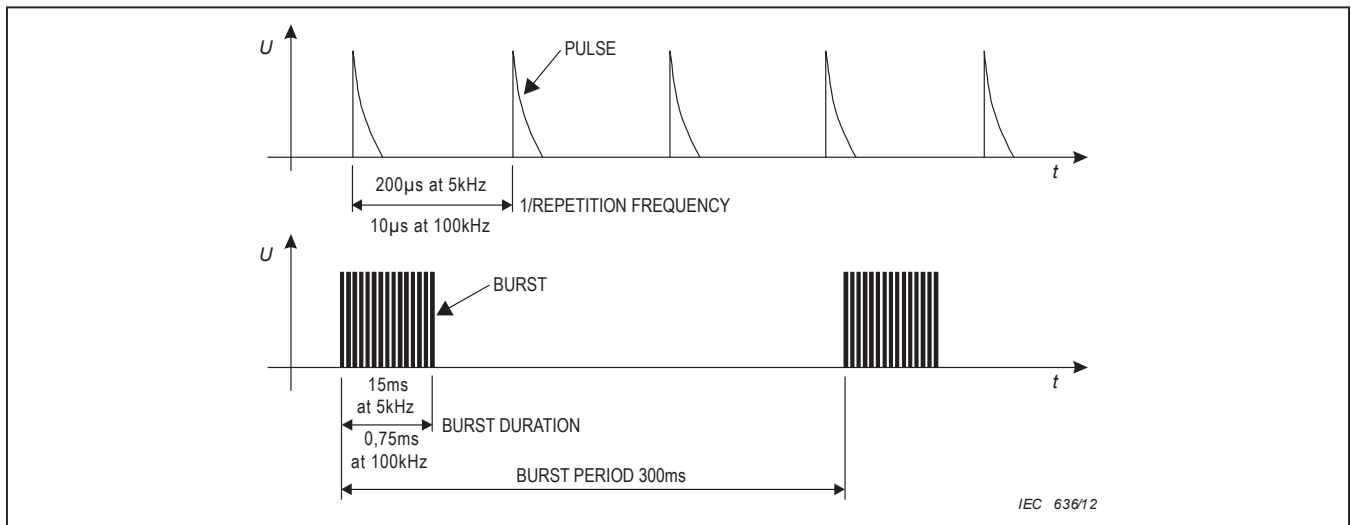


Figure 7. Electrical Fast Transient/Burst Waveform

IEC 61000-4-5 Surge Immunity

This standard specifies different wave generator specifications. The 1.2/50µs combination wave generator is used for testing ports intended for power lines and short-distance signal connections. This is the test Maxim uses and the waveform is shown in [Figure 8](#).

Polarity	Positive and negative
Test Voltage	Up to ±2kV
Waveform parameters	Front time 1.2µs Time to half value 50µs
Signal applied to	Input port-to-Input port, Input port-to-Ground
Repetition Rate	1 per minute

The standard defines 6 classes of test levels which depend on the installation conditions (see Annex A, Table A.1 in IEC 61000-4-5 standard). The class determines the

protection with corresponding voltage levels from 25V to 4kV. In addition this defines the coupling mode (Line-to-Line or Line-to-Ground) and the source impedance (Zs) required. The class which most closely fits the applications using products such as MAX22195 are [Class 3](#) for [Unsymmetrical operated circuits/lines](#) with suggested test levels of ±2kV for Line-to-Line and ±1kV for Line-to-Ground.

The selection of source impedance is discussed in Annex B of IEC 61000-4-5 with recommended Zs of 42Ω. Since the generator has an internal impedance of 2Ω, an external 40Ω resistor is used in series with the generator, as shown in simplified version in [Figure 9](#).

It is not recommended to have a capacitor at the input pin if surge performance is required. To achieve the ±1kV line-to-ground surge level, place a minimum 1kΩ pulse withstanding resistor between the field input and the MAX22195 input pin.

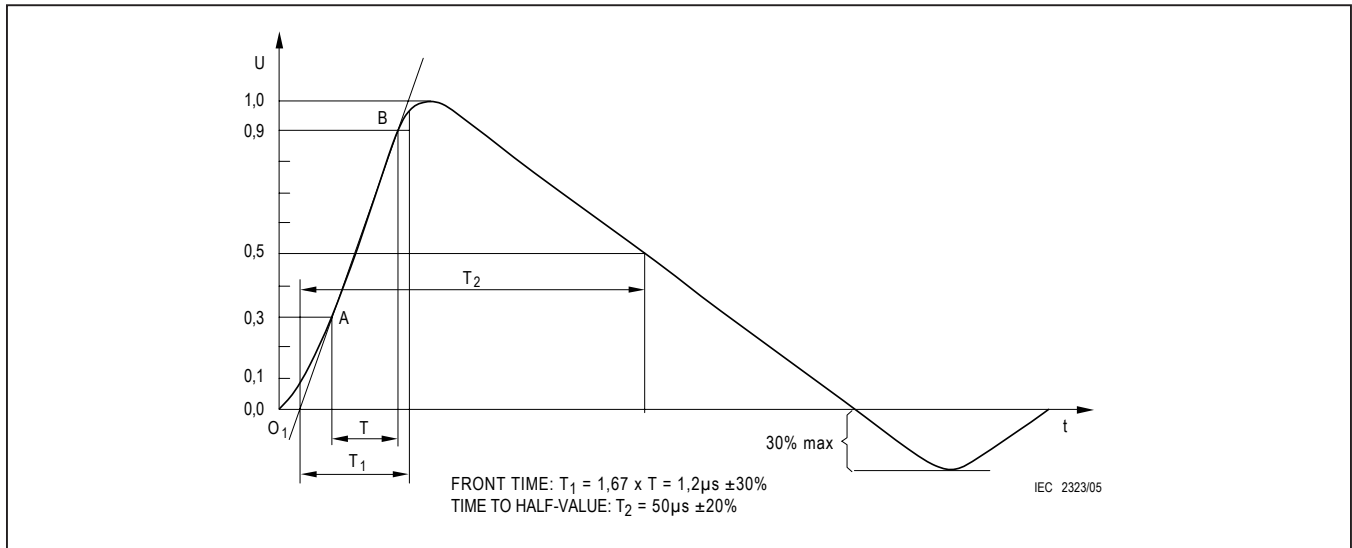


Figure 8. 1.2/50µs Surge Voltage Waveform

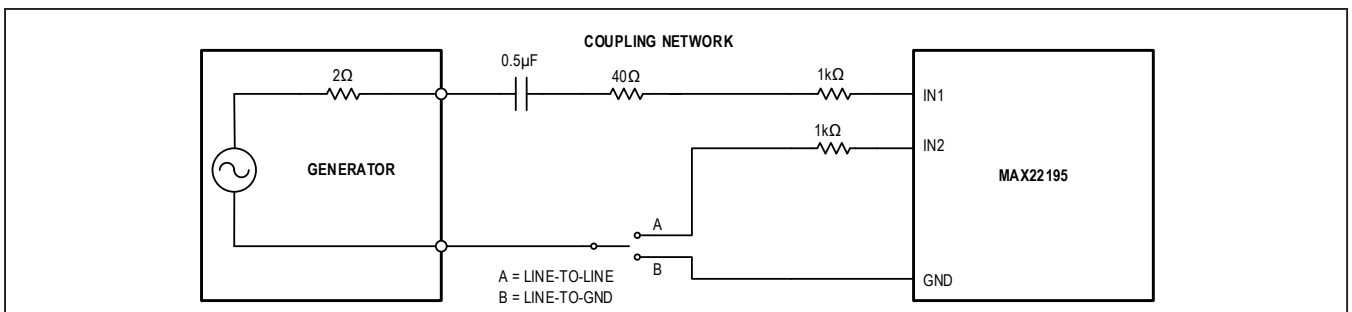
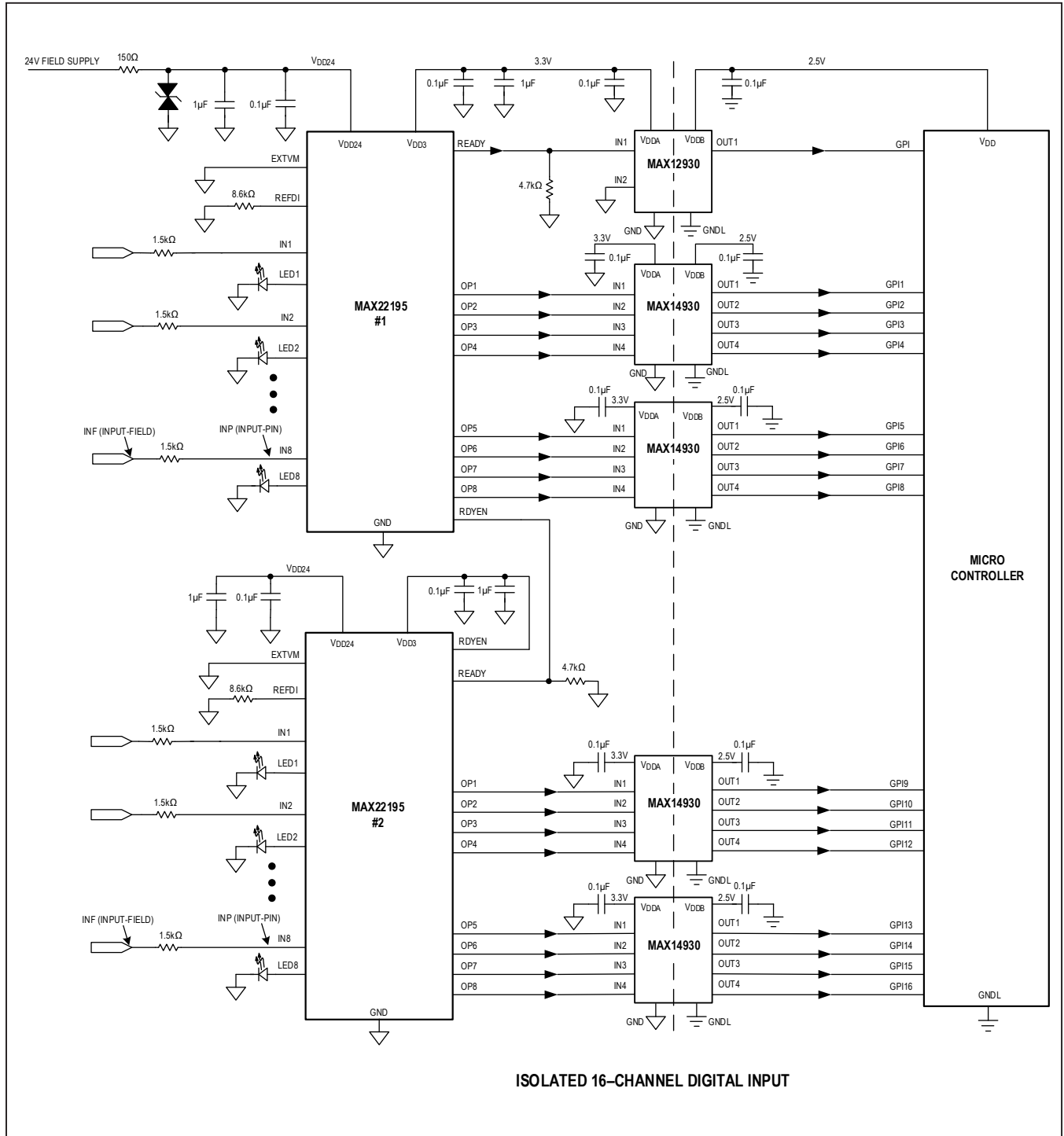
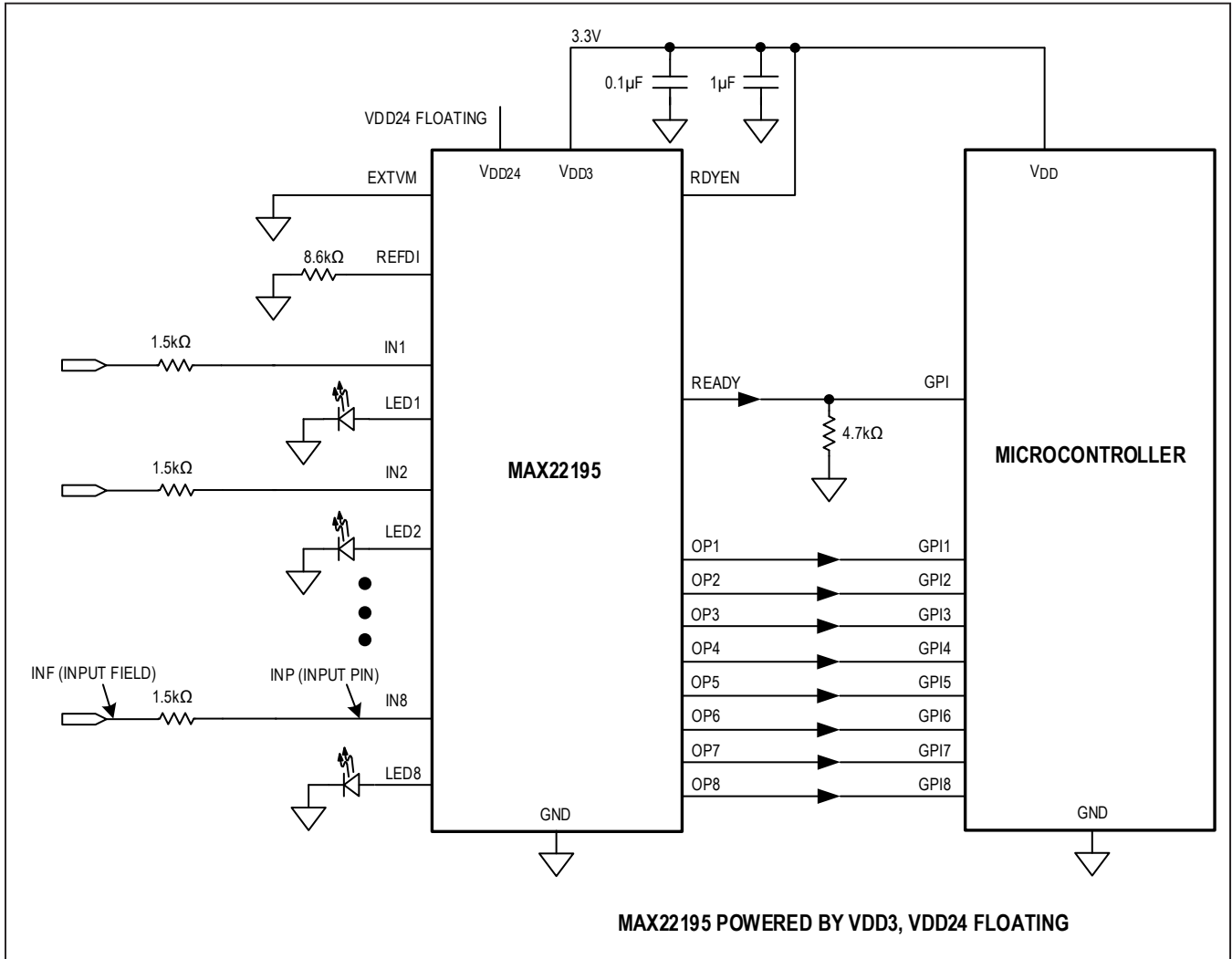


Figure 9. Surge Testing Method

Typical Operating Circuits



Typical Operating Circuits (continued)



Ordering Information

PART	TEMP RANGE	PIN-PACKAGE
MAX22195ATJ+	-40°C to +125°C	32-TQFN

+Denotes a lead(Pb)-free/RoHS-compliant package.

Chip Information

PROCESS: BiCMOS

Revision History

REVISION NUMBER	REVISION DATE	DESCRIPTION	PAGES CHANGED
0	5/18	Initial release	—
1	7/18	Updated <i>Benefits and Features</i> section, <i>Electrical Characteristics</i> table, <i>Pin Description</i> table, <i>Detailed Description</i> section, and Figure 5	1, 4, 5, 11, 14
2	9/18	Updated the <i>ESD and EMC Characteristics</i> table and the <i>Detailed Description</i> section	7, 14
3	1/19	Updated <i>ESD and EMC Characteristics</i> table, and <i>PCB Layout Recommendations</i> , and <i>IEC61000-4-4 Electrical Fast Transient/Burst (EFT)</i> sections; corrected typos	7, 17, 19–20
4	4/19	Updated the <i>General Description</i> , <i>Electrical Characteristics</i> , <i>Pin Description</i> , <i>RDYEN and READY Monitor</i> , <i>Short/Open Detection at REFDI Pin</i> , <i>Energyless LED Drivers</i> , <i>Thermal Considerations</i> , <i>IEC 61000-4-4 Electrical Fast Transient/Burst (EFT)</i> and <i>IEC 61000-4-5 Surge Immunity</i> sections, and Table 1; replaced Table 3.	1, 6, 12, 14, 15, 17, 19–21

For pricing, delivery, and ordering information, please visit Maxim Integrated's online storefront at <https://www.maximintegrated.com/en/storefront/storefront.html>.

Maxim Integrated cannot assume responsibility for use of any circuitry other than circuitry entirely embodied in a Maxim Integrated product. No circuit patent licenses are implied. Maxim Integrated reserves the right to change the circuitry and specifications without notice at any time. The parametric values (min and max limits) shown in the *Electrical Characteristics* table are guaranteed. Other parametric values quoted in this data sheet are provided for guidance.