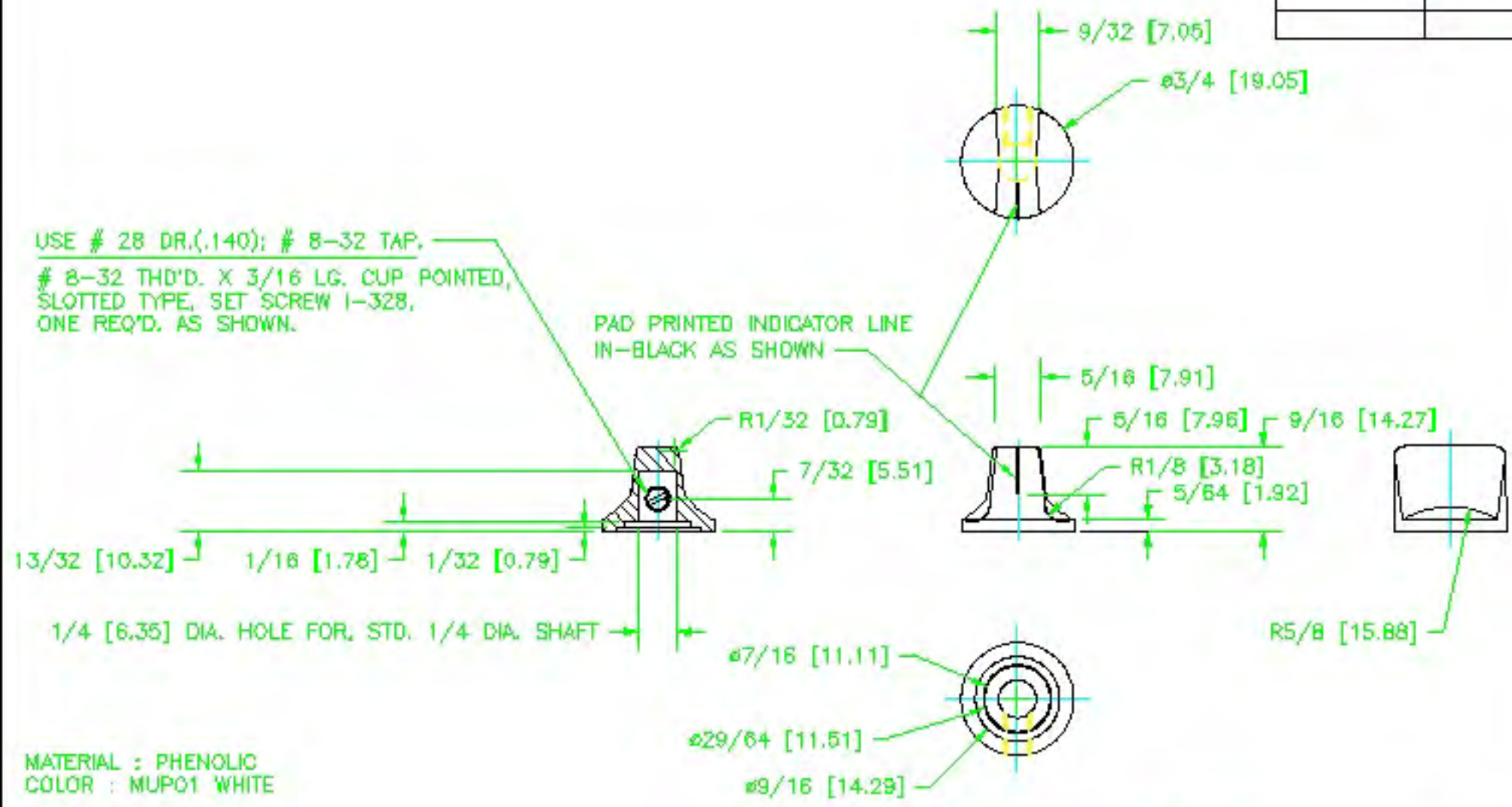


PART NAME: KNOB SCALE: 1:1 DATE: 12/9/93 DR. BY: HD

DAVIES MOLDING COMPANY
CAROL STREAM, ILLINOIS 60188

P/N 1510-AZ	
M NO. 1910	
PIN	1910
PLUNGER	1910
CAVITY	1510
SET SCREW	1-328

THIS DRAWING IS THE PROPERTY OF DAVIES MOLDING COMPANY, IS SUBMITTED SOLELY AS A DESIGN OR ENGINEERING PROJECT. WE ACCEPT NO RESPONSIBILITY WHATSOEVER FOR THE PRACTICAL APPLICATION OF THE PIECES MADE TO THIS DESIGN.



TOLERANCES: UNLESS OTHERWISE SPECIFIED	DO NOT SCALE DRAWING			
DECIMALS: X.XXX ± .005 X.XX ± .015	MM: X.XX ± 0.15MM X.X ± 0.4MM			
FRACTIONS ± 1/64	ANG. ± 1'	CHANGES		