

# 3110KL (80<sup>□</sup>x 25<sup>L</sup>)

# NMB

NMBTC.COM / 248.919.2250

For New Designs we  
Recommend 08025SA

## General Specifications

### Motor Protection:

Auto Restart/Polarity Protection

**Insulation Resistance:** 10M Ω or over with a DC500V Megger

**Dielectric Withstand Voltage:** AC 700V 1s

**Allowable Ambient Temperature Range:**

B70 Class: -10°C ~ +60°C (Operating)

B10~B60 Class: -10°C ~ +70°C (Operating)

All Class: -40°C ~ +70°C (Storage)  
(non-condensing environment)

## Expected Life

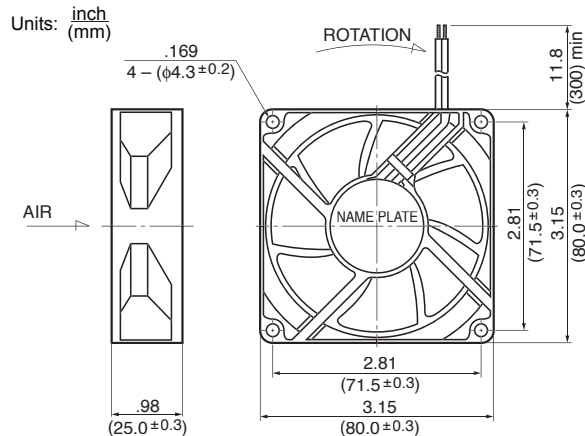
**Failure Rate: 10%**

25°C 100,000 Hours (E00)

25°C 70,000 Hours (G00,D00)

25°C 60,000 Hours (C00, F00)

## Outline



## Characteristic Curves



## Panel Cut-outs



## Material

Casing : Plastic (Black) 94V-0

Impeller : Plastic (Black) 94V-0

Bearing : Ball Bearing

Lead Wire: UL1007, AWG24, +Red, -Black

## Specifications

| MODEL           | Product No. | Rated Voltage | Operating Voltage | Current           | Input Power       | Speed                              | Max. Air Flow     |                                     | Max. Static Pressure |                    | Noise              | Mass |
|-----------------|-------------|---------------|-------------------|-------------------|-------------------|------------------------------------|-------------------|-------------------------------------|----------------------|--------------------|--------------------|------|
|                 |             | (V)           | (V)               | (A) <sup>*1</sup> | (W) <sup>*1</sup> | (min <sup>-1</sup> ) <sup>*1</sup> | CFM <sup>*1</sup> | (m <sup>3</sup> /min) <sup>*1</sup> | in H <sub>2</sub> O  | (Pa) <sup>*1</sup> | (dB) <sup>*1</sup> | (g)  |
| 3110KL-04W-B10- | X00         | 12            | 6.0 ~ 13.8        | 0.10              | 1.20              | 2150                               | 24.7              | 0.70                                | .07                  | 16.7               | 22.0               | 95   |
| 3110KL-04W-B20- | X00         | 12            | 6.0 ~ 13.8        | 0.11              | 1.32              | 2400                               | 28.2              | 0.80                                | .08                  | 21.6               | 25.0               | 95   |
| 3110KL-04W-B30- | X00         | 12            | 6.0 ~ 13.8        | 0.17              | 2.04              | 2700                               | 31.8              | 0.90                                | .10                  | 26.5               | 28.0               | 95   |
| 3110KL-04W-B40- | X00         | 12            | 6.0 ~ 13.8        | 0.20              | 2.40              | 3000                               | 35.3              | 1.00                                | .13                  | 32.3               | 31.0               | 95   |
| 3110KL-04W-B50- | X00         | 12            | 6.0 ~ 13.8        | 0.23              | 2.76              | 3250                               | 38.8              | 1.10                                | .15                  | 37.2               | 34.0               | 95   |
| 3110KL-04W-B60- | X00         | 12            | 6.0 ~ 13.0        | 0.26              | 3.12              | 3400                               | 40.2              | 1.14                                | .16                  | 40.2               | 35.0               | 95   |
| 3110KL-04W-B70- | X00         | 12            | 6.0 ~ 13.8        | 0.29              | 3.86              | 4000                               | 45.9              | 1.30                                | .26                  | 64.4               | 40.0               | 95   |
| 3110KL-05W-B10- | X00         | 24            | 10.0 ~ 27.6       | 0.06              | 1.44              | 2150                               | 24.7              | 0.70                                | .07                  | 16.7               | 22.0               | 95   |
| 3110KL-05W-B20- | X00         | 24            | 10.0 ~ 27.6       | 0.07              | 1.68              | 2400                               | 28.2              | 0.80                                | .08                  | 21.6               | 25.0               | 95   |
| 3110KL-05W-B30- | X00         | 24            | 10.0 ~ 27.6       | 0.08              | 1.92              | 2700                               | 31.8              | 0.90                                | .10                  | 26.5               | 28.0               | 95   |
| 3110KL-05W-B40- | X00         | 24            | 10.0 ~ 27.6       | 0.10              | 2.40              | 3000                               | 35.3              | 1.00                                | .13                  | 32.3               | 31.0               | 95   |
| 3110KL-05W-B50- | X00         | 24            | 10.0 ~ 27.6       | 0.12              | 2.88              | 3250                               | 38.8              | 1.10                                | .15                  | 37.2               | 34.0               | 95   |
| 3110KL-05W-B60- | X00         | 24            | 10.0 ~ 26.4       | 0.14              | 3.36              | 3400                               | 40.2              | 1.14                                | .16                  | 40.2               | 35.0               | 95   |

Rotation: Clockwise

Airflow Outlet: Air Out Over Struts

\*1: Average Values in Free Air