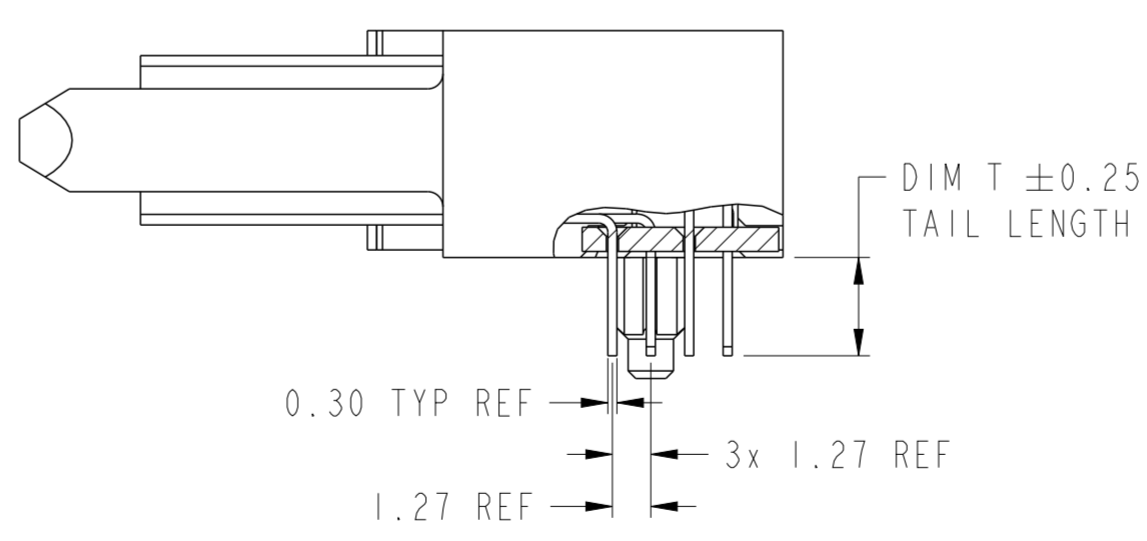


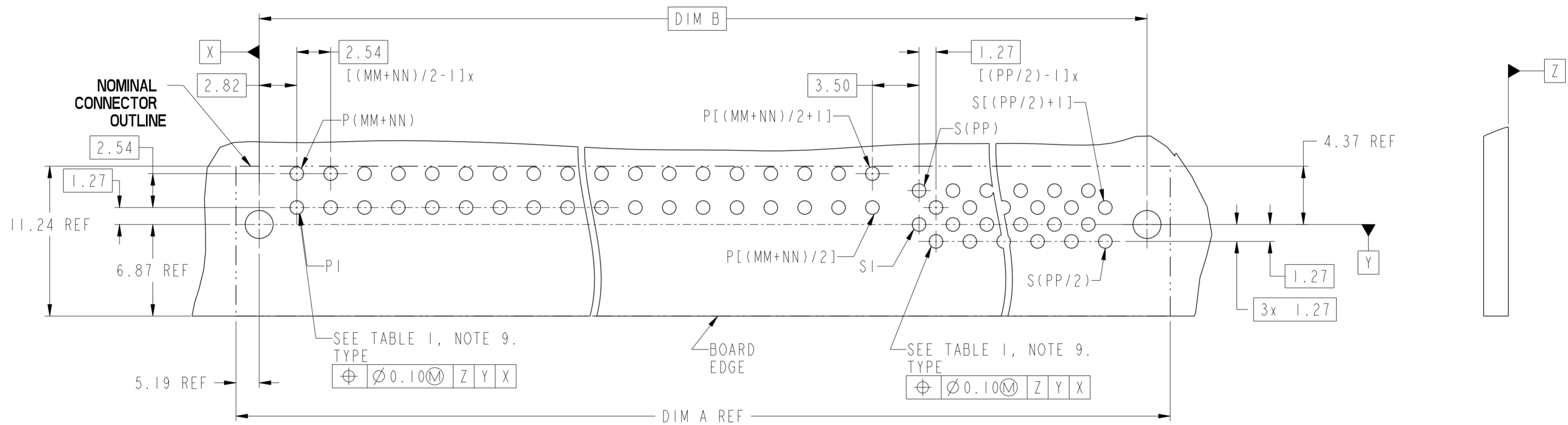
SECTION A-A
SCALE 4:1



SECTION B-B
SCALE 4:1

spec ref	-	dr	Julia Wang	2014/03/26	projection	MM	size	A2	scale	4:1
tolerance std	ISO 406 ISO 1101	eng	Julia Wang	2014/05/04			ecn no	ELX-DG-17457-1		
TOLERANCES UNLESS OTHERWISE SPECIFIED		chr	-	appr			Pei-Ming Zheng	2014/05/04	rel level	Released
surface	ISO 1302	linear	0.X	±0.5	product family		cat. no.	Product - Customer Drw		sheet 1 of 3
		angular	0°	±2°			title	HPCE BTB R/A RECPT		rev
			0.XX	±0.25			dwg no	10125112		B
			0.XXX	±0.10			rel level	Released		
					www.fci.com		cat. no.	Product - Customer Drw		sheet 1 of 3

CONTACT TYPE	TOP LAYER DESCRIPTION	TABLE 1 (HPCE / SOLDER TAILS) PLATED THROUGH-HOLE REQUIREMENTS				
		DRILLED HOLE DIAMETER	COPPER THICKNESS	TIN-LEAD THICKNESS	TIN THICKNESS	FINISHED HOLE DIAMETER
POWER & SIGNAL	TIN-LEAD	1.10-1.16 (1.15 DRILL)	0.025 - 0.050	0.005 - 0.015	--	0.94 - 1.10
	IMMERSION TIN	1.10-1.16 (1.15 DRILL)	0.025 - 0.050	--	0.9 - 1.5um	0.94 - 1.10
	COPPER (SEE NOTE 8)	1.10-1.16 (1.15 DRILL)	0.025 - 0.050	--	--	0.94 - 1.10



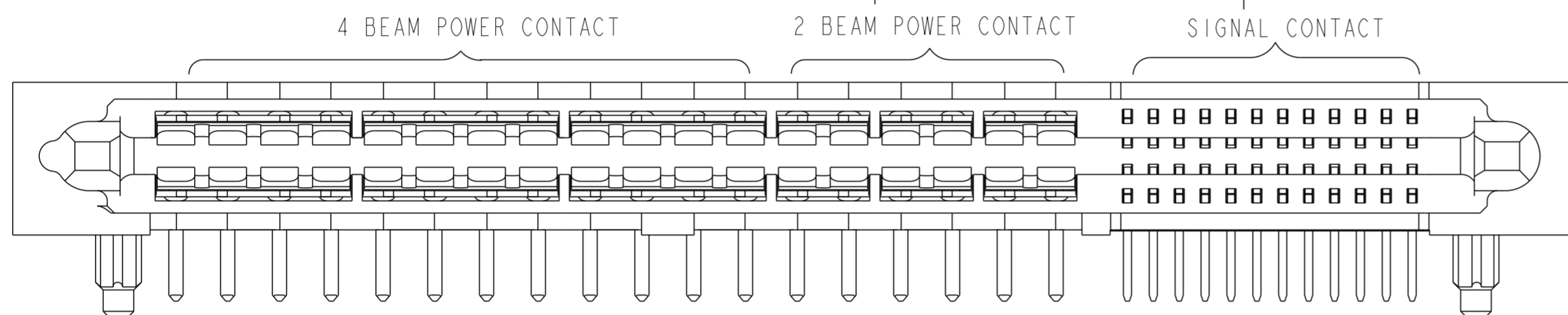
RECOMMENDED PCB LAYOUT

dr	Julia Wang	2014/03/26	projection	MM	size	A2	scale	4:1
eng	Julia Wang	2014/05/04			ecn no	ELX-DG-17457-1		
chr	-	-			rel level	Released		
appr	Pei-Ming Zheng	2014/05/04	product family		cat. no.	10125112		rev
www.fci.com			HPCE BTB R/A RECPT CONFIG. P+S - UNIVERSAL DRAWING		Product - Customer Drw		sheet 2 of 3	B

10125112 - MM NN PP - LF

LEAD FREE

	A	B	C	D
TAIL LENGTH(DIM D)	2.60		3.25	
HOLD-DOWN PEGS OPTION	Y	N	Y	N



Example: The configuration above is 10125112-241224CLF
 STD HPCE BTB R/A REC 36P24S with Polarization Key and Hold-Down Pegs.
 24P is 4 beam contact, 12P is 2 beam contact.

TABLE 3: PART NUMBER CODE. HPCE BTB R/A RECPT P+S CONFIG

NOTES:

- CONNECTOR MATERIALS:
 HOUSING: HIGH TEMPERATURE THERMAL PLASTIC, BLACK
 UL 94V-0 COMPLIANT
 CONTACTS: HIGH PERFORMANCE COPPER ALLOY.
- CONTACT FINISH REF. GS-12-1125.
- PRODUCT SPECIFICATION: GS-12-1125.
- APPLICATION SPECIFICATION: GS-20-0388.
- PRODUCT MARKING (FCI - PART NUMBER & DATE CODE) ON HOUSING IN AREA SHOWN.
- PACKAGING MEETS FCI SPECIFICATION GS-14-2272.
- HOUSING COMPONENT WILL WITHSTAND EXPOSURE TO 260°C PEAK TEMPERATURE FOR 60 SECONDS IN A CONVECTION, INFRA-RED, OR VAPOR PHASE REFLOW OVEN.
- COPPER PLATING THICKNESS IN CENTER OF VIA-HOLE CAN BE NO MORE THAN 0.003 LESS THAN OTHER AREAS.
- ALL HOLE SIZES ARE FINISHED HOLE SIZES.
- MOUNTING HOLES ARE UNPLATED
 \varnothing 2.18 +/- 0.03 FOR SOLDER TAILS
- MAXIMUM OVERALL LENGTH IS 100mm.

DIM	TABLE 2. LENGTH FORMULAS
DIM A (1)	$(MM + NN) / 2 \times 2.54 + (PP / 2) \times 1.27 + 16.02$
DIM B	DIM A - 10.38
DIM T	2.60 OR 3.25

dr	Julia Wang	2014/03/26	projection	MM	size	A2	scale	4:1
eng	Julia Wang	2014/05/04			ecn no	ELX-DG-17457-1	rel level	Released
chr	-	-						
appr	Pei-Ming Zheng	2014/05/04	product family		dwg no	10125112	rev	B
www.fci.com			cat. no.	Product - Customer Drw	sheet 3 of 3			