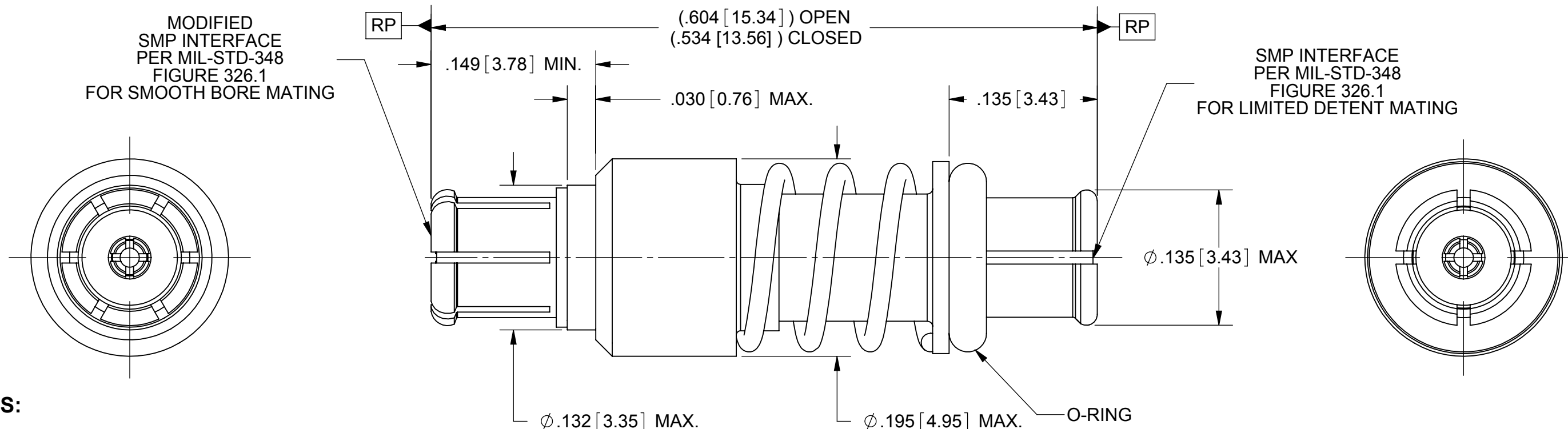


# PRODUCT DATA DRAWING

REVISION HISTORY			
REV	DESCRIPTION	DATE	APPROVED
-	DCN 36469	02/09	JMC
A	DCN 39762	04/13	EFT
B	DCN 39763	04/13	EFT



**MATERIALS:**

- BODY & CONTACT:** BERYLLIUM COPPER PER ASTM B196, ALLOY No. UNS C17300, TD04.
- INSULATORS:** PTFE PER ASTM D1710.
- SPRING:** STAINLESS STEEL PER AMS-5678, ALLOY S17700.
- O-RING:** SILICONE RUBBER PER A-A-59588, CLASS 2A, GRADE 70.

**FINISHES:**

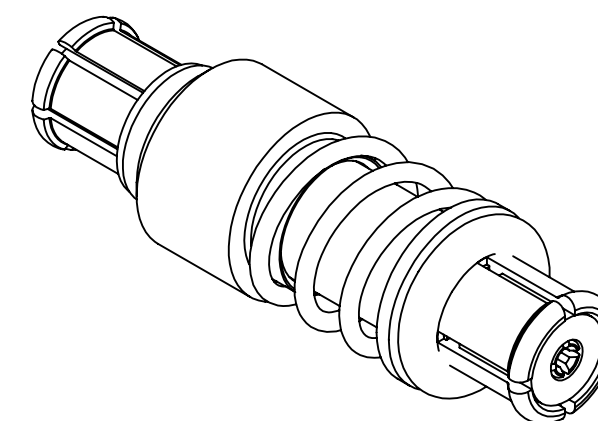
- BODY & CONTACT:** GOLD PER ASTM B488, TYPE I GRADE C, CLASS 1.27, OVER ELECTRO-LESS NICKEL PER AMS-2404, CLASS 4, .00050" MINIMUM.
- SPRING:** PASSIVATED PER ASTM A967

**PERFORMANCE:**

- IMPEDANCE:**  $50 \pm 1$  OHMS
- FREQ. RANGE:** DC - 40 GHz
- VSWR:**
  - 1.30:1, DC - 12 GHz
  - 1.40:1, 12 - 18 GHz
  - 1.60:1, 18 - 40 GHz
- INSERTION LOSS:**
  - 0.4 dB, DC - 12 GHz
  - 0.6 dB, 12 - 18 GHz
  - 0.8 dB, 18 - 40 GHz
- DWV:** 500 VRMS
- INSULATION RES.:** 5,000 MEGOHMS MIN

**WEIGHT:** 0.06 OUNCES MAX

**SPRING FORCE:** 4 LBS MAX AT FULL DEFLECTION, 2 LBS MIN PRELOAD.



<b>MATERIAL:</b> SEE NOTES	<b>DIMENSIONS ARE IN INCHES TOLERANCES:</b> FRACTIONAL: $\pm 1/64$ ANGULAR: X° $\pm 1'0''$ X'X' $\pm 15''$	<b>UNLESS OTHERWISE SPECIFIED</b> 1) ALL DIMENSIONS ARE IN INCHES (MILLIMETERS) 2) ALL DIMENSIONS ARE AFTER PLATING. 3) BREAK CORNERS & EDGES .005 R. MAX. 4) CHAM. 1ST & LAST THREADS. 5) SURFACE ROUGHNESS 63-MIL-STD-10. 6) DIA: 'S ON COMMON CENTERS TO BE CONCENTRIC WITHIN .005 T.I.R. 7) REMOVE ALL BURRS	<b>SV Microwave, Inc.</b> 2400 Centrepark West Drive, Suite 100 West Palm Beach, FL 33409	
<b>FINISH:</b> SEE NOTES	DECIMAL: X $\pm .030$ .XX $\pm .010$ .XXX $\pm .005$		TITLE: SMP TELESCOPIC ADAPTOR	
<b>SURFACE AREA:</b> N/A	INTERPRET DIMENSIONS AND TOLERANCES PER ASME Y14.5M - 1994	THIRD ANGLE PROJECTION	SIZE: <b>B</b>	CAGE CODE: <b>95077</b>
<b>PROPRIETARY</b> THE INFORMATION CONTAINED IN THIS DRAWING IS THE SOLE PROPERTY OF SV MICROWAVE, INC. ANY REPRODUCTION IN PART OR AS A WHOLE WITHOUT THE WRITTEN PERMISSION OF SV MICROWAVE, INC IS PROHIBITED.			DRAWN: PJS 02/13/09	DWG. NO. <b>1112-4019</b>
			SCALE: 10:1	SHEET 1 OF 1