

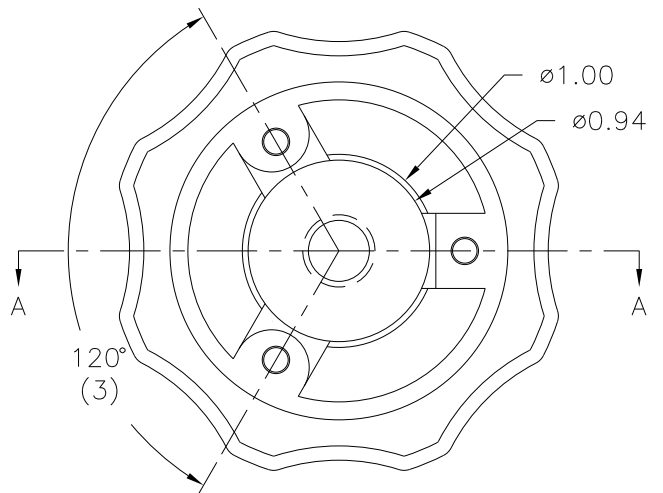
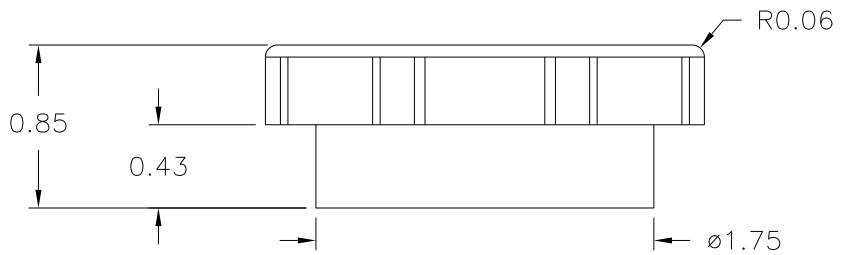
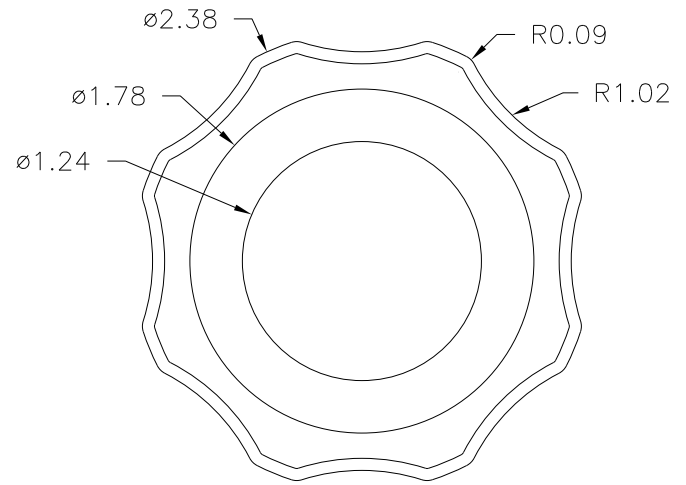
PART NAME: KNOB SCALE: 1:1 DATE: 5/5/65 DR. BY LS

THIS DRAWING IS THE PROPERTY OF DAVIES MOLDING COMPANY, IS SUBMITTED SOLELY AS A DESIGN OR ENGINEERING PROJECT. WE ACCEPT NO RESPONSIBILITY WHATSOEVER FOR THE PRACTICAL APPLICATION OF THE PIECES MADE TO THIS DESIGN.

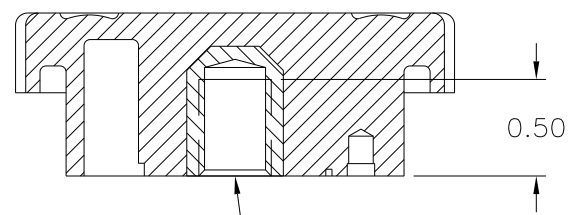


DESIGNERS & MANUFACTURERS OF KNOBS, HANDLES, CASES & CUSTOM PLASTIC COMPONENTS

P/N	4103EJ
M ^{NO.}	4103
PLUNGER	4103
CAVITY	4103
CAVITY PLUG	4103
CAVITY PLUG PIN	LONG(1.183)
OUTER PIN	4103-B
INNER PIN	4103-V
INSERT	I0212



(A) NOTE: CENTER MTG. SURFACE MUST BE FLUSH OR SLIGHTLY ABOVE RIBBED SURFACE AREAS, NOT BELOW



3/8-16 UNC-2B THREAD
I0212, H.H. BRASS

SECTION A-A

MATERIAL: G.P. PHENOLIC (B11)
COLOR: BLACK

TOLERANCES: UNLESS OTHERWISE SPECIFIED	DO NOT SCALE DRAWING			
DECIMALS: X.XXX ± .005 X.XX ± .015	MM: X.XX ± 0.15MM X.X ± 0.4MM	-	REDRAW	JAM 5/8/02
FRACTIONS ± 1/64	ANG. ± 1°	A	NOTE ADDED	HD 11/15/88
CHANGES				