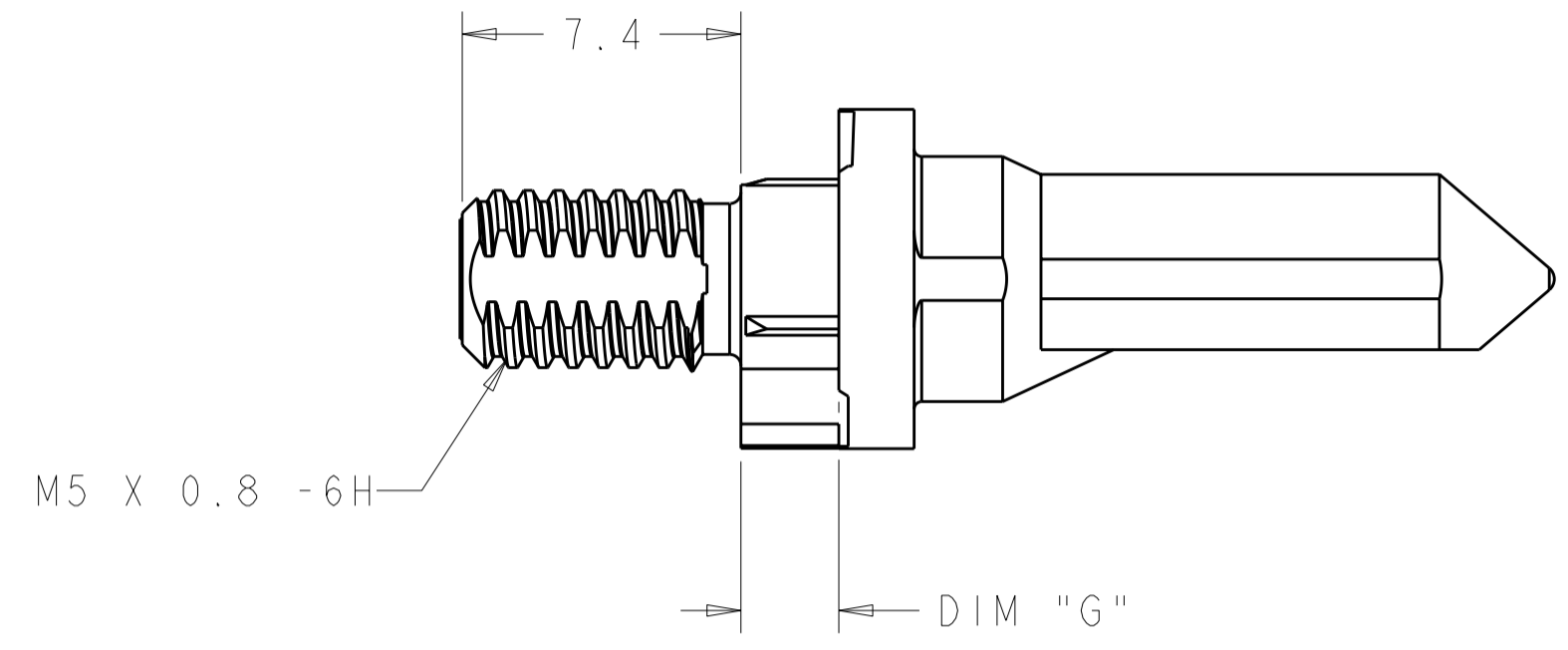
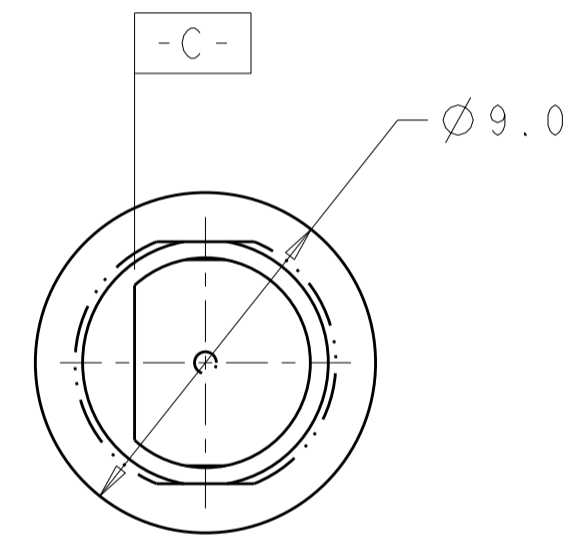
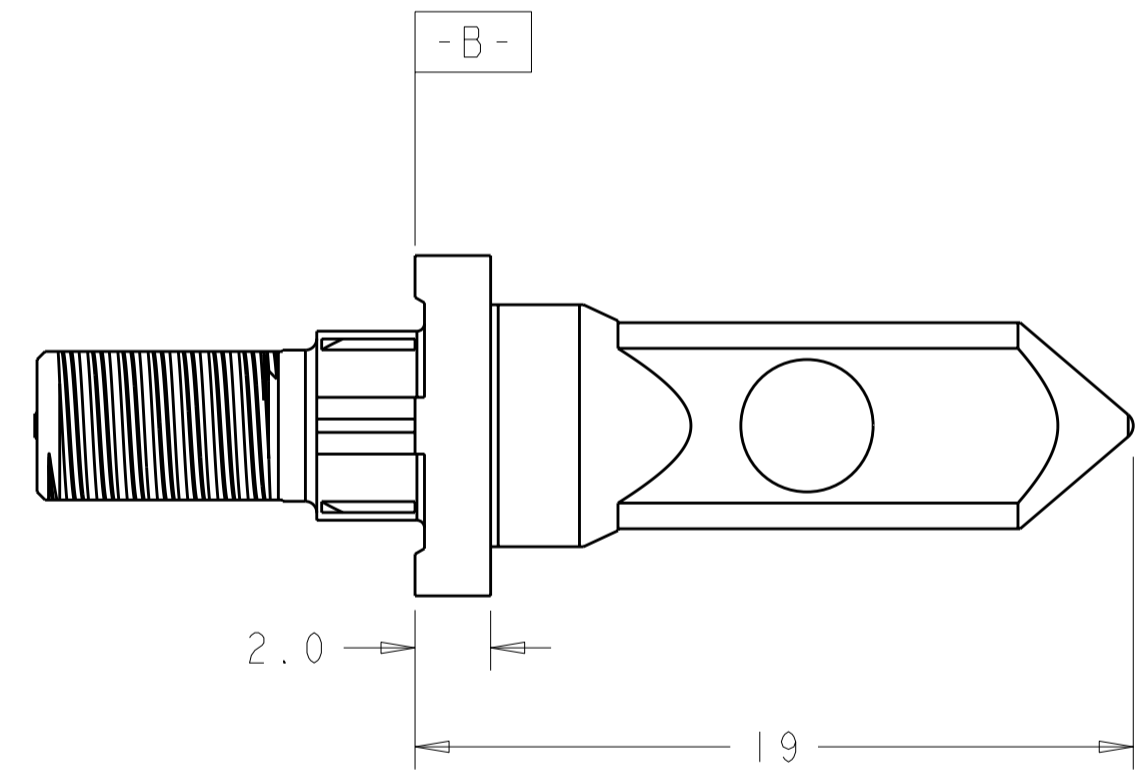
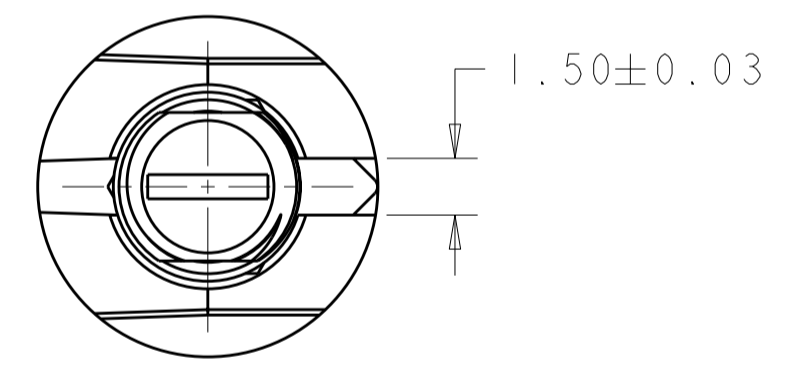


THIS DRAWING IS UNPUBLISHED. RELEASED FOR PUBLICATION 20
 © COPYRIGHT 20 BY - ALL RIGHTS RESERVED.

LOC	DIST	REVISIONS					
CG	00	P	LTR	DESCRIPTION	DATE	DWN	APVD
			A	RELEASED	04AUG2011	BC	AS



- ① KEY HOLE ORIENTATION (DIM A) PER MATING GUIDE MODULE PART NUMBER TABLE (ORIENTATION SHOWN ON PCB LAYOUT IS FOR 1-1410353-2).
- ② ANNULAR RING PLATED AROUND GUIDE PIN MOUNTING HOLE ON TOP AND BOTTOM SIDE OF BOARD.
- ③ FINISH:
3.81µm MINIMUM SILVER IN CONTACT AREA OVER NICKEL OVER COPPER ALL OVER.
- ④ MATERIAL: ZINC ALLOY.

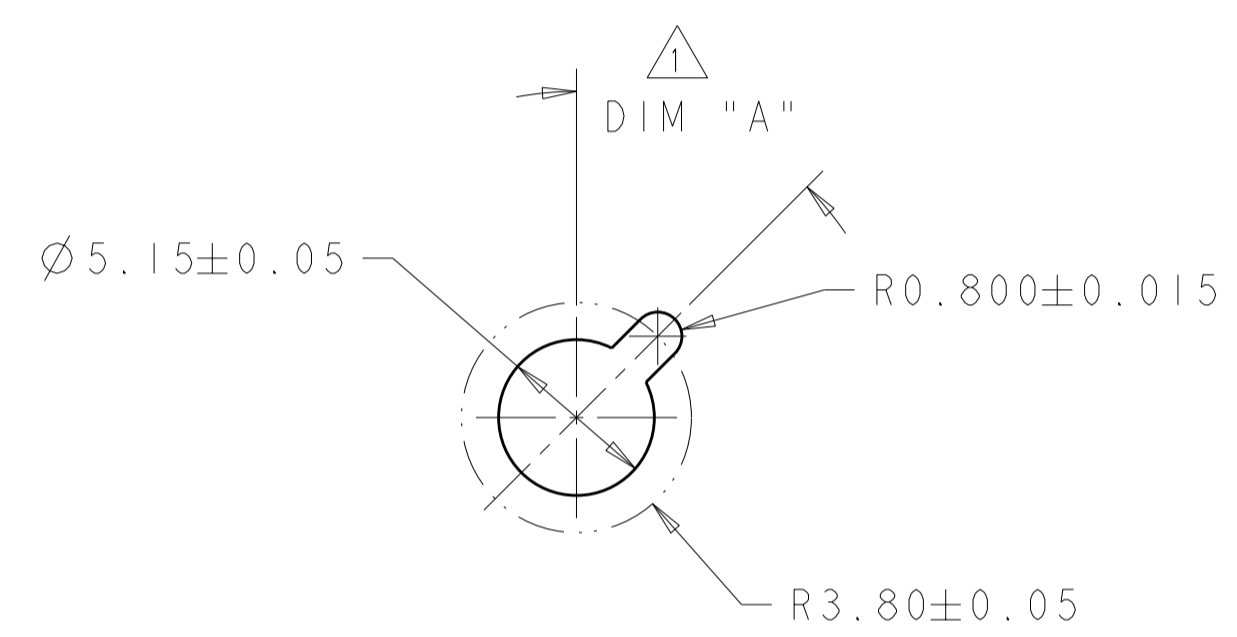


③	5.70	1-1410355-4
③	4.20	1-1410355-3
③	2.60	1-1410355-2
FINISH	DIM "G"	PART NUMBER

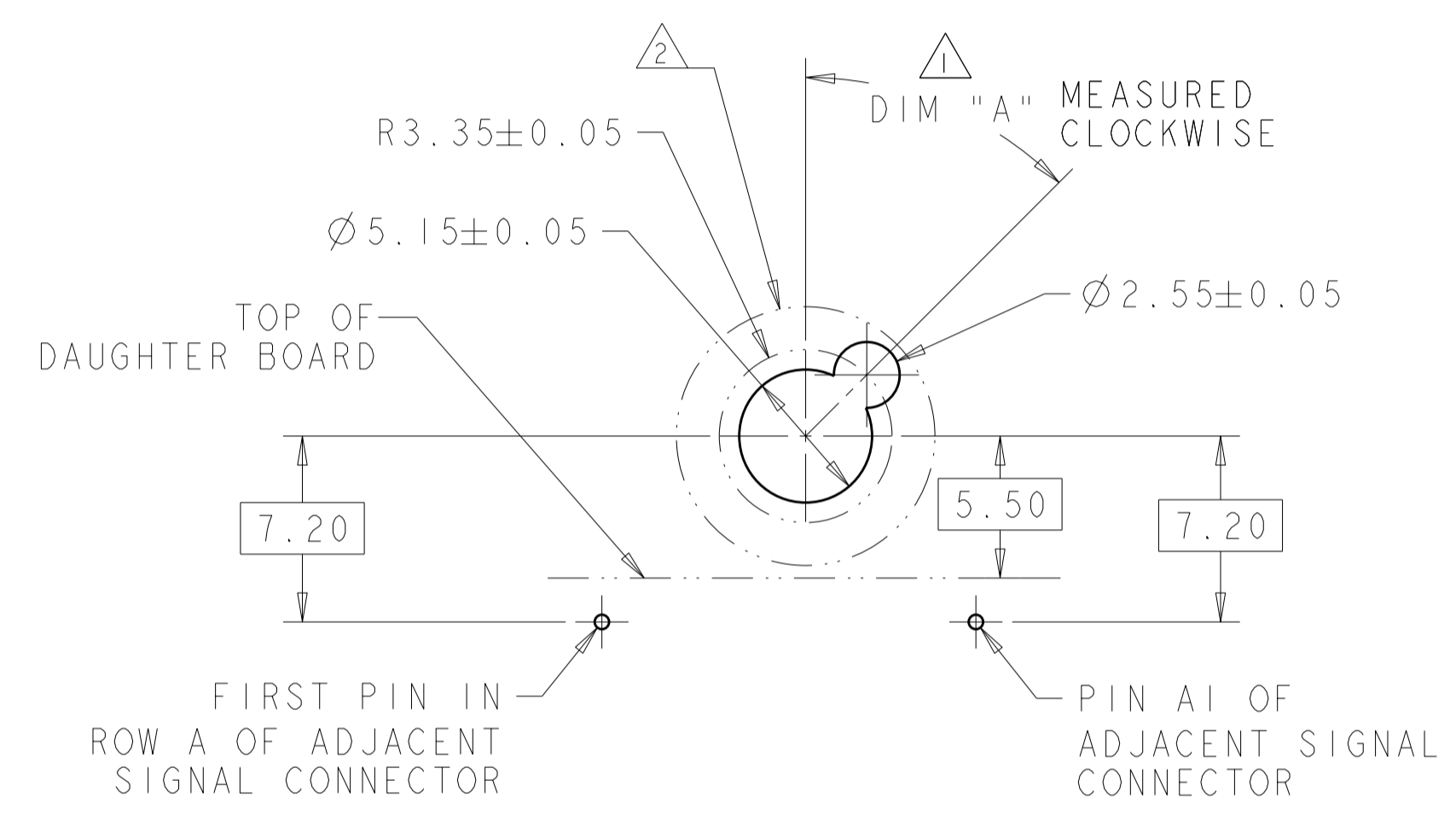
THIS DRAWING IS A CONTROLLED DOCUMENT.		DWN B. CARBO 04AUG2011	TE Connectivity	
DIMENSIONS: mm		CHK A. SHARPE 04AUG2011		
TOLERANCES UNLESS OTHERWISE SPECIFIED:		APVD A. SHARPE 04AUG2011	NAME KEYED GUIDE PIN, DIE CAST BACKPLANE CONNECTOR, MULTIGIG, THREADED POST	
0 PLC ± 1 PLC ±0.5 2 PLC ±0.13 3 PLC ±0.013 4 PLC ± ANGLES ± FINISH ±		PRODUCT SPEC 108-2072	RESTRICTED TO	
MATERIAL ④ -		APPLICATION SPEC 114-13056	SIZE A200779	DRAWING NO C-1410355
		WEIGHT -	SCALE 5:1	SHEET 1 OF 2 REV A
		CUSTOMER DRAWING		

THIS DRAWING IS UNPUBLISHED. RELEASED FOR PUBLICATION 20
 © COPYRIGHT 20 BY - ALL RIGHTS RESERVED.

LOC	DIST	REVISIONS			
P	LTR	DESCRIPTION	DATE	DWN	APVD
CG	00	-	SEE SHEET 1	-	-



ALTERNATE PCB LAYOUT FOR GUIDE POST
 SCALE 4:1



TIER 2 GUIDE PIN FOOTPRINT
 (20.3mm SIGNAL MODULES)
 SCALE 4:1

3	-	1-1410353-9
3	315°	1-1410353-8
3	270°	1-1410353-7
3	90°	1-1410353-3
3	45°	1-1410353-2
3	0°	1-1410353-1
FINISH	DIM "A"	20.3mm GUIDE MODULE
MATING GUIDE MODULE 1		

THIS DRAWING IS A CONTROLLED DOCUMENT.		DWN B. CARBO 04AUG2011	STE TE Connectivity	
		CHK A. SHARPE 04AUG2011		
DIMENSIONS: mm		APVD A. SHARPE 04AUG2011	NAME KEYED GUIDE PIN, DIE CAST BACKPLANE CONNECTOR, MULTIGIG, THREADED POST	
TOLERANCES UNLESS OTHERWISE SPECIFIED: 0 PLC ± 1 PLC ±0.5 2 PLC ±0.13 3 PLC ±0.013 4 PLC ± ANGLES ± FINISH		PRODUCT SPEC 108-2072	RESTRICTED TO	
MATERIAL 4		APPLICATION SPEC 114-13056	SIZE A2	CAGE CODE 00779
		WEIGHT -	DRAWING NO 1410355	REV A
		CUSTOMER DRAWING	SCALE 1:1	SHEET 2 OF 2