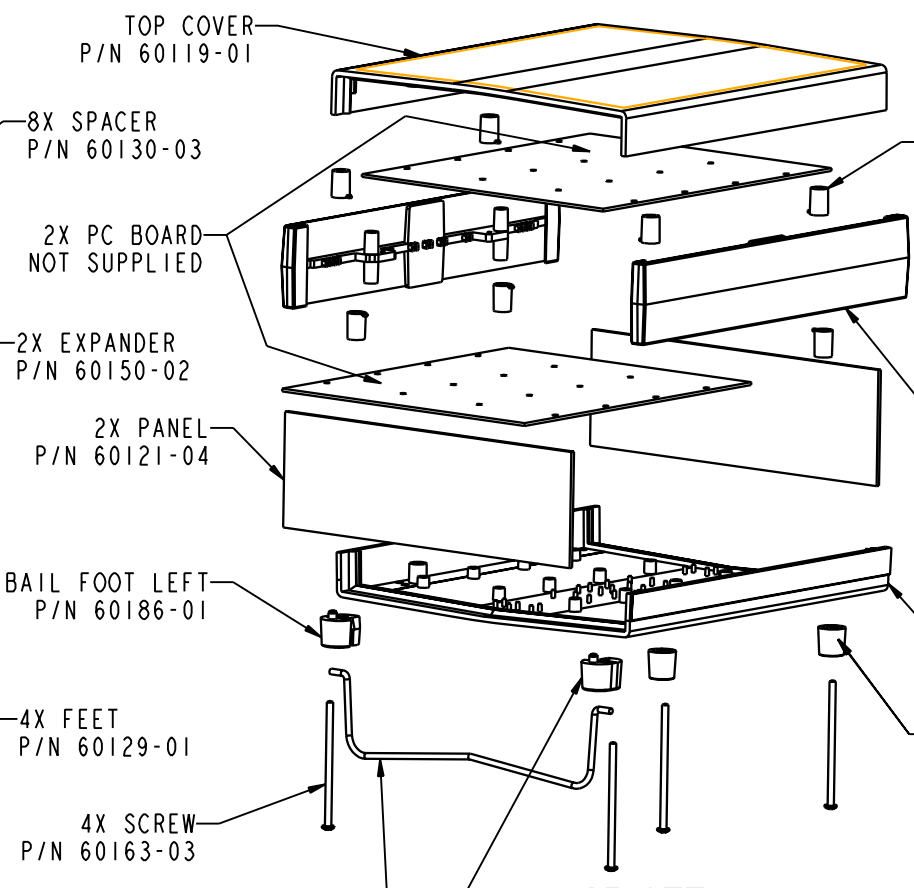
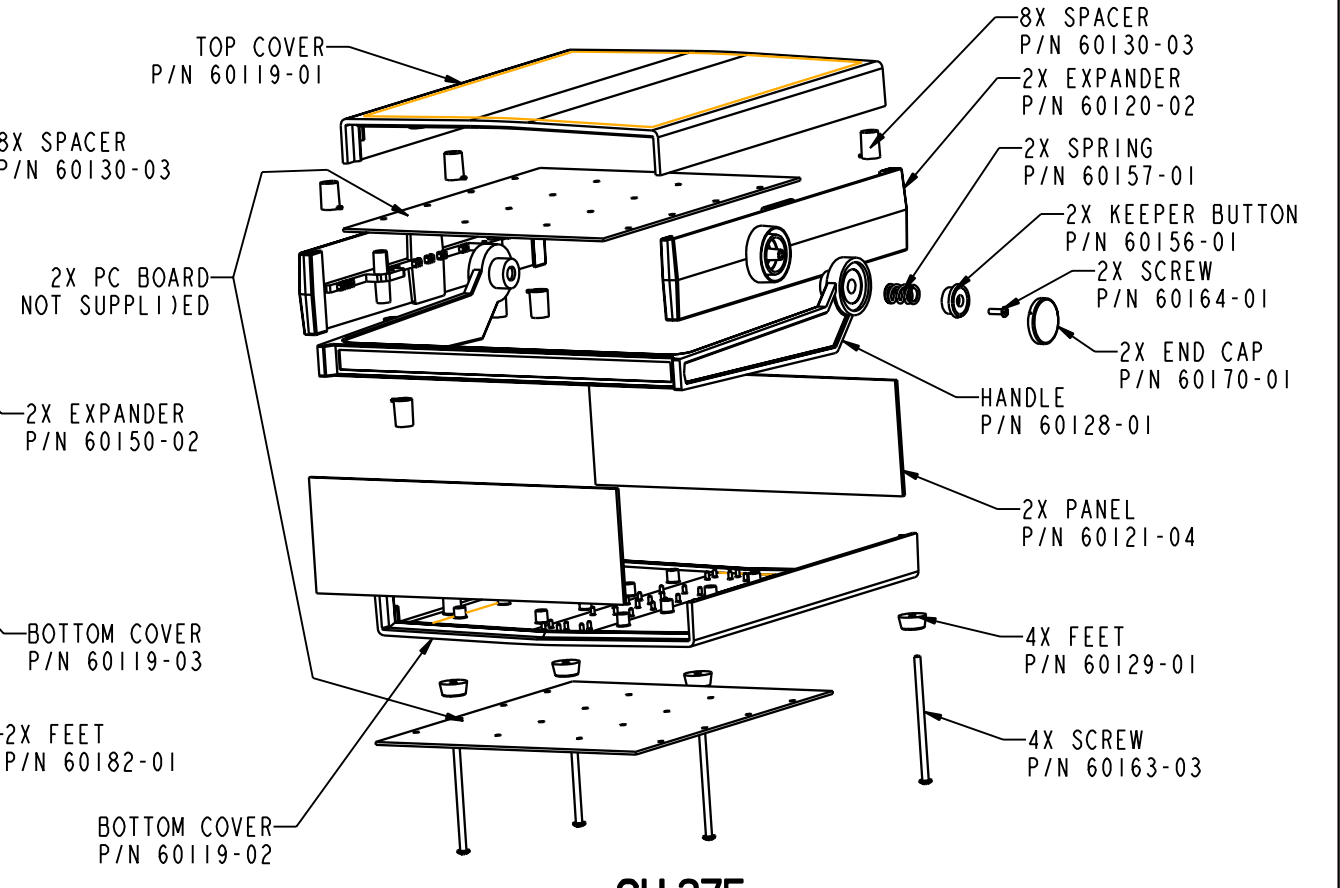


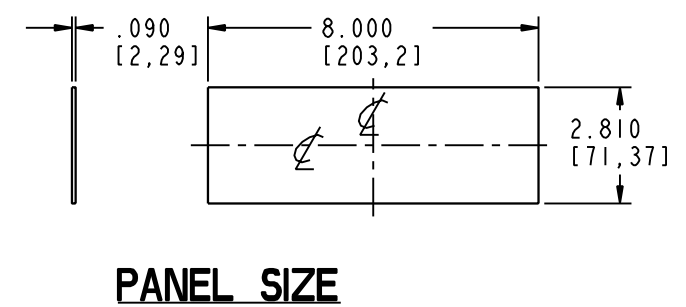
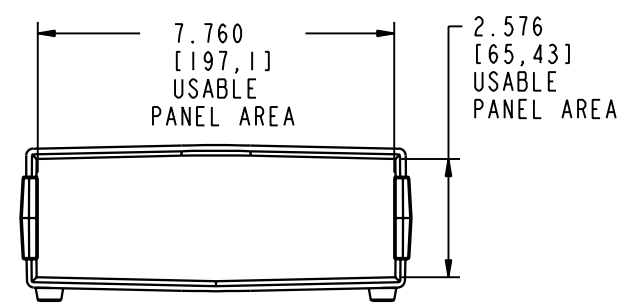
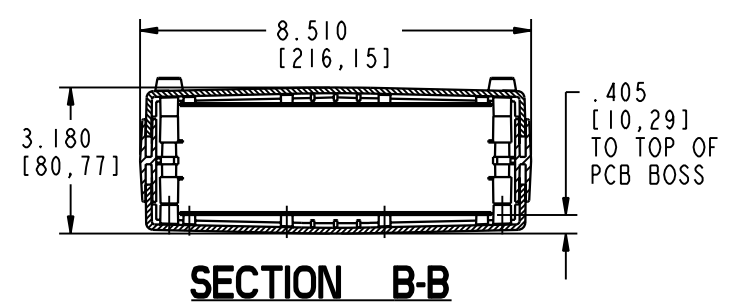
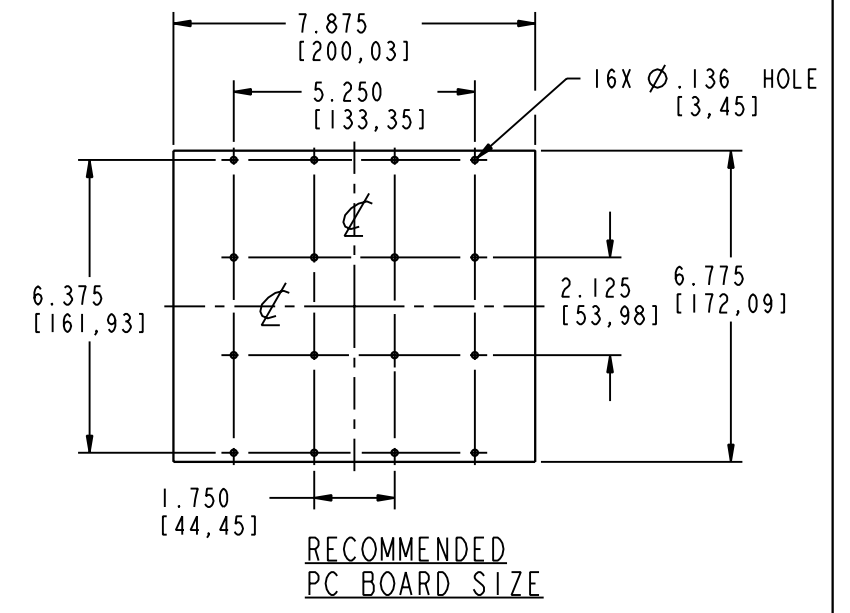
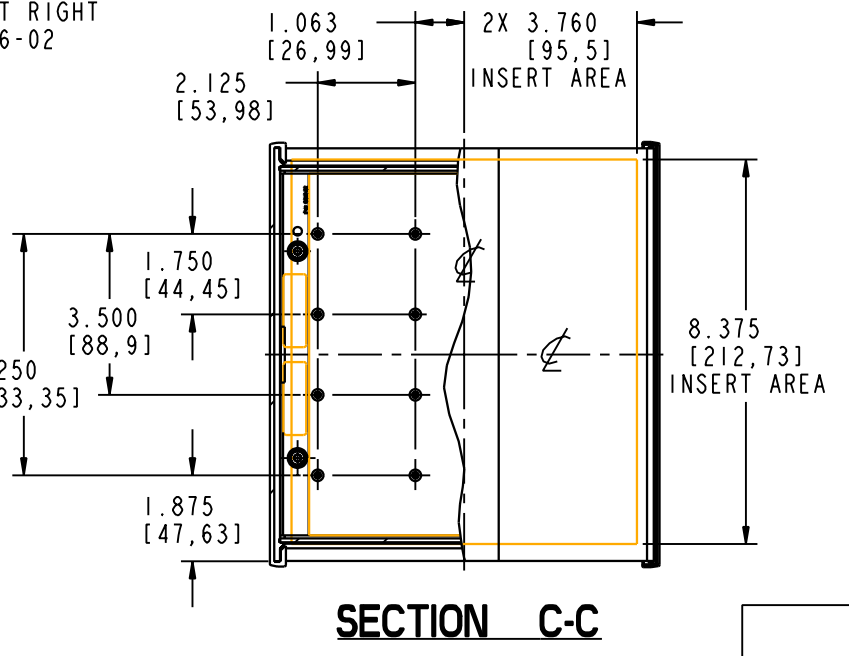
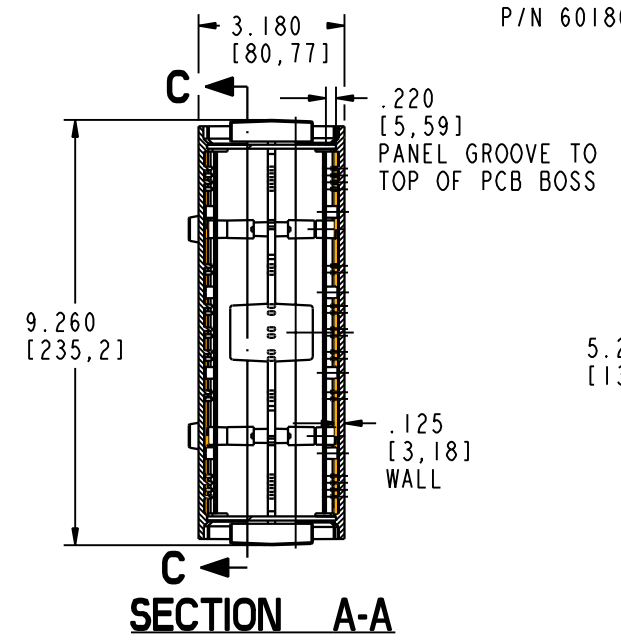
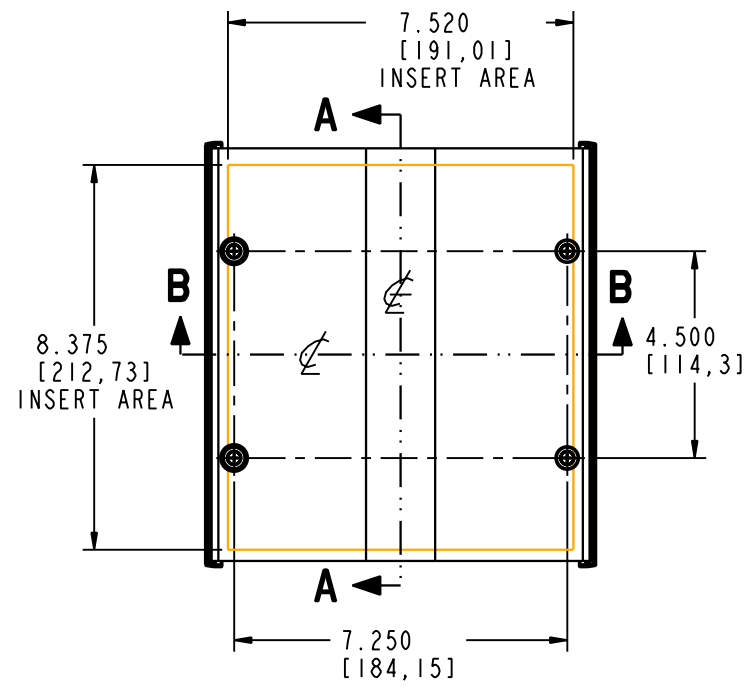
C-275



CB-275



CH-275



PACINTEC[®]
 1-610-361-4231
C-275, CB-275 & CH-275
 VISIT **PACINTEC**[®]
 ON THE WORLD WIDE WEB
www.pactecenclosures.com

COLOR / MATERIAL CODE		
COLOR	94HB	94VO
BLACK	000	028
P. C. BONE	039	060

DRAWING NUMBER	REV
79476	C