



SIPSMT10-05 SERIES

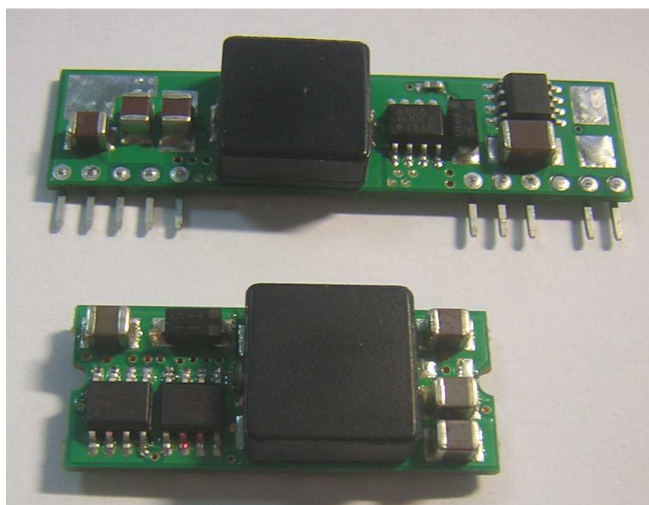
10 AMP

POL CONVERTERS



FEATURES

- * Non-isolated POL converter
- * SIP / SMT Package
- * Output Current 10AMP
- * Input Voltage Range 9-14VDC
- * 300KHz Switching Frequency
- * High Efficiency to 95%
- * Over Temperature Protection
- * Continuous Short Circuit Protection
- * Remote ON/OFF Control
- * UL/C-UL60950 Certified



MODEL NUMBER	INPUT VOLTAGE	OUTPUT VOLTAGE	OUTPUT CURRENT	INPUT CURRENT		Efficiency (%)
				NO LOAD	FULL LOAD	
SIP10-05S10 SMT10-05S10	3.0 – 5.5VDC	1.0VDC	10A	50mA	2353mA	85
SIP10-05S12 SMT10-05S12	3.0 – 5.5VDC	1.2VDC	10A	50mA	2791mA	86
SIP10-05S15 SMT10-05S15	3.0 – 5.5VDC	1.5VDC	10A	50mA	3409mA	88
SIP10-05S18 SMT10-05S18	3.0 – 5.5VDC	1.8VDC	10A	50mA	4000mA	90
SIP10-05S20 SMT10-05S20	3.0 – 5.5VDC	2.0VDC	10A	60mA	4396mA	91
SIP10-05S25 SMT10-05S25	3.0 – 5.5VDC	2.5VDC	10A	60mA	5376mA	93
SIP10-05S33 SMT10-05S33	4.5 – 5.5VDC	3.3VDC	10A	60mA	6947mA	95

NOTE: Nominal Input Voltage 5.0VDC

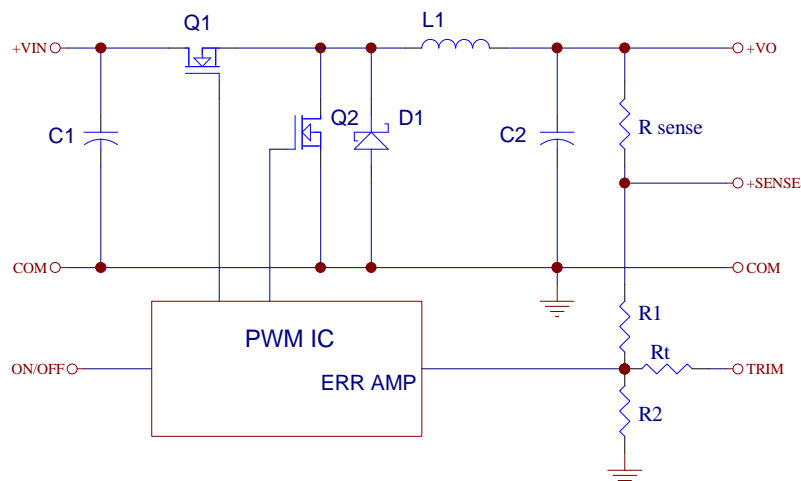


Figure 1. Simplified Schematic

