



SIPSMT10-05 SERIES

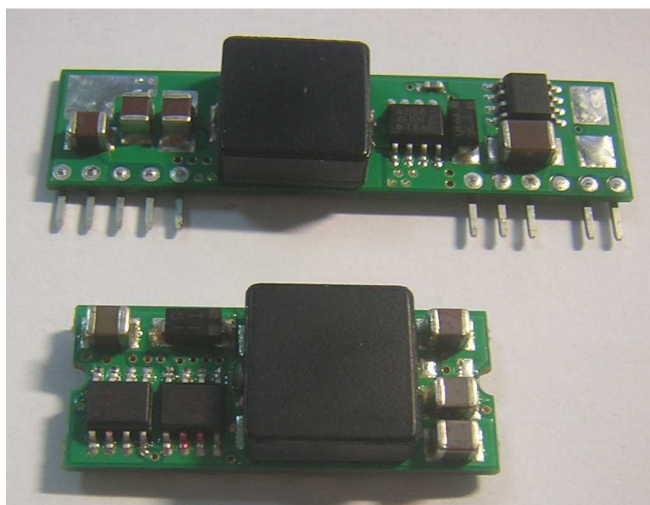
10 AMP

POL CONVERTERS



FEATURES

- * Non-isolated POL converter
- * SIP / SMT Package
- * Output Current 10AMP
- * Input Voltage Range 9-14VDC
- * 300KHz Switching Frequency
- * High Efficiency to 95%
- * Over Temperature Protection
- * Continuous Short Circuit Protection
- * Remote ON/OFF Control
- * UL/C-UL60950 Certified



| MODEL NUMBER | INPUT VOLTAGE | OUTPUT VOLTAGE | OUTPUT CURRENT | INPUT CURRENT | | Efficiency (%) |
|----------------------------|---------------|----------------|----------------|---------------|-----------|----------------|
| | | | | NO LOAD | FULL LOAD | |
| SIP10-05S10 SMT10-05S10 | 3.0 – 5.5VDC | 1.0VDC | 10A | 50mA | 2353mA | 85 |
| SIP10-05S12 SMT10-05S12 | 3.0 – 5.5VDC | 1.2VDC | 10A | 50mA | 2791mA | 86 |
| SIP10-05S15 SMT10-05S15 | 3.0 – 5.5VDC | 1.5VDC | 10A | 50mA | 3409mA | 88 |
| SIP10-05S18 SMT10-05S18 | 3.0 – 5.5VDC | 1.8VDC | 10A | 50mA | 4000mA | 90 |
| SIP10-05S20 SMT10-05S20 | 3.0 – 5.5VDC | 2.0VDC | 10A | 60mA | 4396mA | 91 |
| SIP10-05S25 SMT10-05S25 | 3.0 – 5.5VDC | 2.5VDC | 10A | 60mA | 5376mA | 93 |
| SIP10-05S33 SMT10-05S33 | 4.5 – 5.5VDC | 3.3VDC | 10A | 60mA | 6947mA | 95 |

NOTE: Nominal Input Voltage 5.0VDC

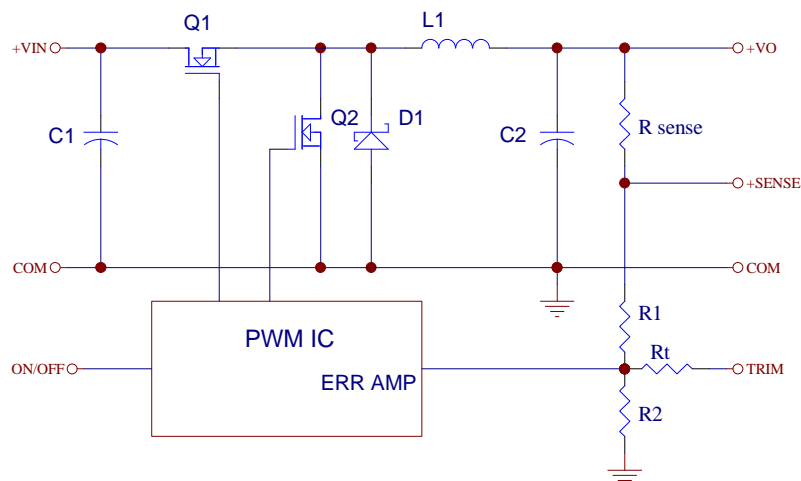


Figure 1. Simplified Schematic

