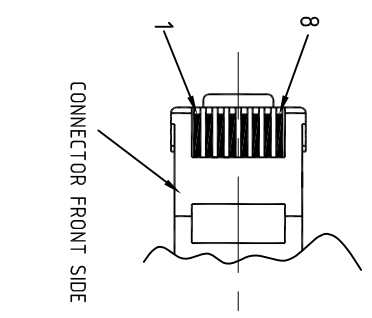


CONNECTOR PINOUT



CONN.1	WIRE COLOR	CONN.2
8	BROWN/WHITE	8
7	WHITE/BROWN	7
6	GREEN/WHITE	6
5	WHITE/BLUE	5
4	BLUE/WHITE	4
3	WHITE/GREEN	3
2	ORANGE/WHITE	2
1	WHITE/ORANGE	1
SHELL	BRAID	SHELL

WIRING INFORMATION

Part- No.	Cable Length (L) (MM)	Sticking Label Length(P) (MM)
09 45 971 1121	500±10	250
09 45 971 1122	1,000±10	500
09 45 971 1123	2,000±20	1,000
09 45 971 1124	3,000±30	1,000
09 45 971 1125	4,000±40	2,000
09 45 971 1126	5,000±50	2,000
09 45 971 1127	6,000±60	2,000
09 45 971 1128	7,000±70	2,000
09 45 971 1129	7,500±75	2,000
09 45 971 1130	8,000±80	2,000
09 45 971 1131	9,000±90	2,000
09 45 971 1132	10,000 <sup>+50</sup> <sub>-0</sub>	2,000
09 45 971 1133	15,000±150	2,000
09 45 971 1134	20,000±200	2,000
09 45 971 1135	1,500±15	750
09 45 971 1136	2,500±25	1,000
09 45 971 1138	300±10	150
09 45 971 1201	40,000±350	2,000

P/N INFORMATION

- NOTES:
- ELECTRICAL REQUIREMENTS
    - BE PERFORMED ISO IEC 11801:2002
    - NOMINAL IMPEDANCE = 100 ±10 OHMS
    - DIELECTRIC WITHSTANDING VOLTAGE = 500 VDC MIN. FOR 1 MINUTE
  - MECHANICAL REQUIREMENTS
    - OPERATING TEMPERATURE = -20° TO +80°C
    - MATING CYCLES : 250
    - PROTECTION GRADE: IP20
  - CABLE MUST BE PERFORMED 100% HI-POT TEST AND CONTINUITY TEST
  - WHITE LABEL INFORMATION:

DATE CODE & LOT INFORMATION  
 LENGTH: XX M  
 HARTING P/N

5.) CABLE MUST BE PACKED INTO A PLASTIC BAG.

**CAT5, PUR, BLACK JACKET**

Rev.	Description	Appr.	Date
02	Add length 40m cable assy.	Lucy Zheng	14./01/15
01	Change tolerance for P/N 09459711132.(ECN13172)	Lucy Zheng	15/11/13
00	Prototype	James	18/09/07

Coating	A=	V=	m=	g	Mat.	See Bill of Material
All Dimensions in mm Original Size DIN A3	mm <sup>2</sup>	mm <sup>3</sup>	m	g		Ref. / Sub. /

Created by	Inspected by	Standardisation	Date	State
ZHENGL	WANGF	CHENJU	2015-01-14	Final release

Title	Type	Number	Rev.	Page
R45 CAT5 PUR BLACK DOUBLE ENDED MOLDED CABLE ASSEMBLY	TB	09 45 971 1XXX	02	1/1

Department	HCS - CN	Department	HCS - CN
HARTING Electronics GmbH	D-32339 Espelkamp	HARTING Electronics GmbH	D-32339 Espelkamp

# Mouser Electronics

Authorized Distributor

Click to View Pricing, Inventory, Delivery & Lifecycle Information:

## HARTING:

[09459711121](#) [09459711122](#) [09459711123](#) [09459711124](#) [09459711125](#) [09459711126](#) [09459711129](#)  
[09459711132](#) [09459711133](#) [09459711134](#) [09459711135](#) [09459711136](#)