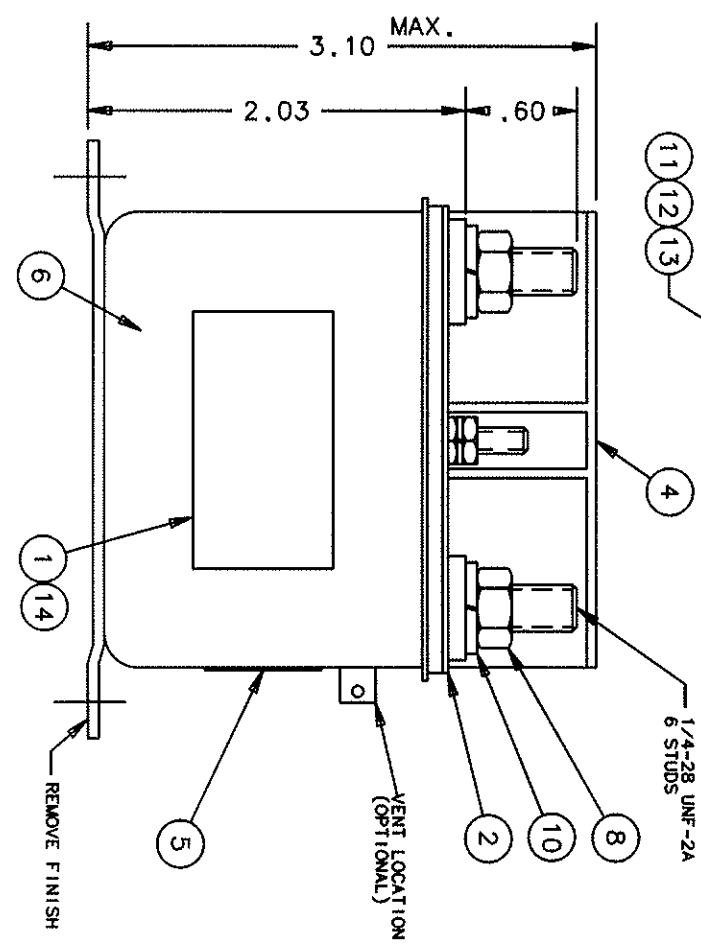
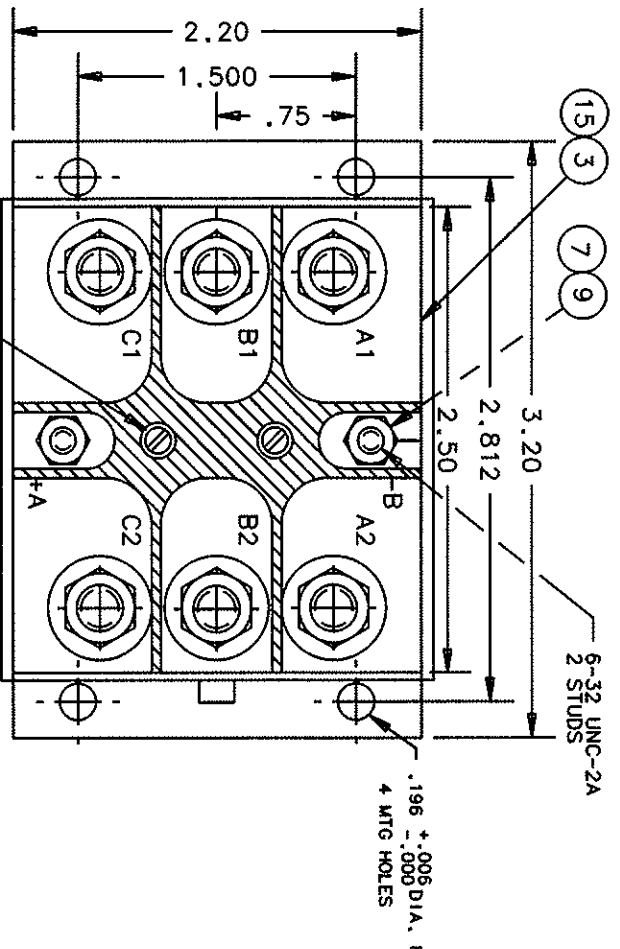


REV	DESCRIPTION	DATE	APPROVED
D	26104 REDRAWN ON CAEDS, ADDED LIFE AND OPERATE TIMES, 3.20 WAS 3.25	94/05/31	RS
E	27399 ITEM 12 WAS 51202-130	95/03/13	RS
F	34861 FIND NOS 14 & 15 ADDED	98/02/09	RS
G	43010 ADDED VIEW OF GASKET	00/08/17	CC
H	0255-03 RELOCATED ITEMS 3 & 15	03/03/07	CC

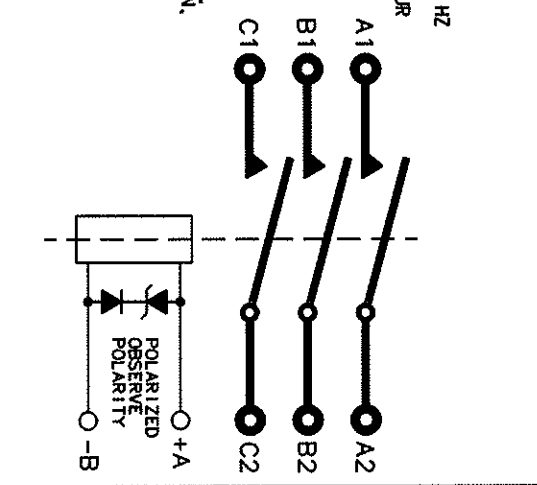


**CONSTRUCTION**  
MODE  
CONTACTS  
MAIN  
VOLTAGE  
CURRENT RES.  
OVERLOAD  
RUPTURE  
COIL DATA  
DUTY CYCLE  
MAX. HOLD CURRENT  
MAX. OPERATING VOLTAGE  
MIN. OPERATING VOLTAGE  
DROPOUT VOLTAGE  
OPERATE TIME AT 28 VDC, 25°C  
RELEASE TIME AT 28 VDC, 25°C  
LIFE ELECTRICAL  
LIFE MECHANICAL  
VIBRATION/10G  
WEIGHT (MAX)  
TEMPERATURE RANGE

**CONSTRUCTION**  
GASKET SEALED  
SIDESTABLE

3PST  
115/200 VOLTS 400 HZ  
120 AMPS  
150 AMPS FOR 1 HOUR  
1000 AMPS

CONTINUOUS  
35 AMP  
32 VDC  
18 VDC AT 71°C  
1 - 7 VDC  
35 MS MAX  
35 MS MAX  
50,000 CYCLES MIN.  
100,000 CYCLES MIN.  
14.5 OZ.  
75 - 2000 HZ  
-55°C TO +71°C



**NOTES:**  
1. COIL TRANSIENT VOLTAGE LIMITED TO ±50 VOLTS REFERENCED TO ZERO VOLTS.  
2. REF. AGUSTA EN06E0011  
3. UNIT DESIGNED TO MEET THE APPLICABLE REQUIREMENTS OF MIL-R-6106.  
4. UNIT DESIGNED TO MEET THE REQUIREMENTS OF B.S.1 SPEC. NO. BS.36 100 PART 2 SECTION 3, SUBSECTION 3.5, CLASSIFICATION LEVEL C.

FIND NO	QTY	PART OR IDENTIFYING NO	NAME/CLATURE OR DESCRIPTION	FSCM NO	DRAWING OR SPECIFICATION	MATERIAL OR NOTE
15	1	39529-017	OVERLAY			
14	1	39529-001	OVERLAY			
13	2	51802-010	WASHER, NO. 2 INT.			BRONZE
12	2	51202-131	SCREW, 2-56 X 3/4 RD. HD.			STEEL
11	2	51000-016	O - RING			
10	6	51807-034	WASHER LOOK 1/4 SPLIT			BRONZE
9	2	51806-014	WASHER LOOK NO. 6 SPLIT			BRONZE
8	6	50407-074	NUT, 1/4-28 X 3/8 X 3/16 HEX			BRASS
7	2	50406-034	NUT, 6-32 X 1/4 X 5/64 HEX			BRASS
6	1	40778-020	CONTACTOR ASSEMBLY - PRIMARY			
5	1	25695-001	PLATE - WARNING			
4	1	40857-001	TERMINAL SHIELD			
3	1	41110-001	PLATE - WIRING DIAGRAM			
2	1	41072-001	PLATE - BASE COVER			
1	1	16043-001	PLATE - NAME			

**UNLESS OTHERWISE SPECIFIED DIMENSIONS ARE IN INCHES TOLERANCES ON**

*.06	*.010	* 1*
------	-------	------

2 PL. DEC.13 PL. DEC. ANGLES

**MATERIAL**

DR BY	CSC	03/03/28
CHK BY	CC	03/03/28
ENGR	CC	03/03/28
MFG	CC	03/03/28
SIZE	CODE IDENT	74063

SCALE 1/1 SHEET

**TYCO Electronics**  
14 Hartmont Blvd., Suite 175 N. Diamond Street, Waukegan, IL 60087  
**CONTACTOR - 3PST 120 A**  
D-100A  
REF TYCO P/N 0-1616014-1