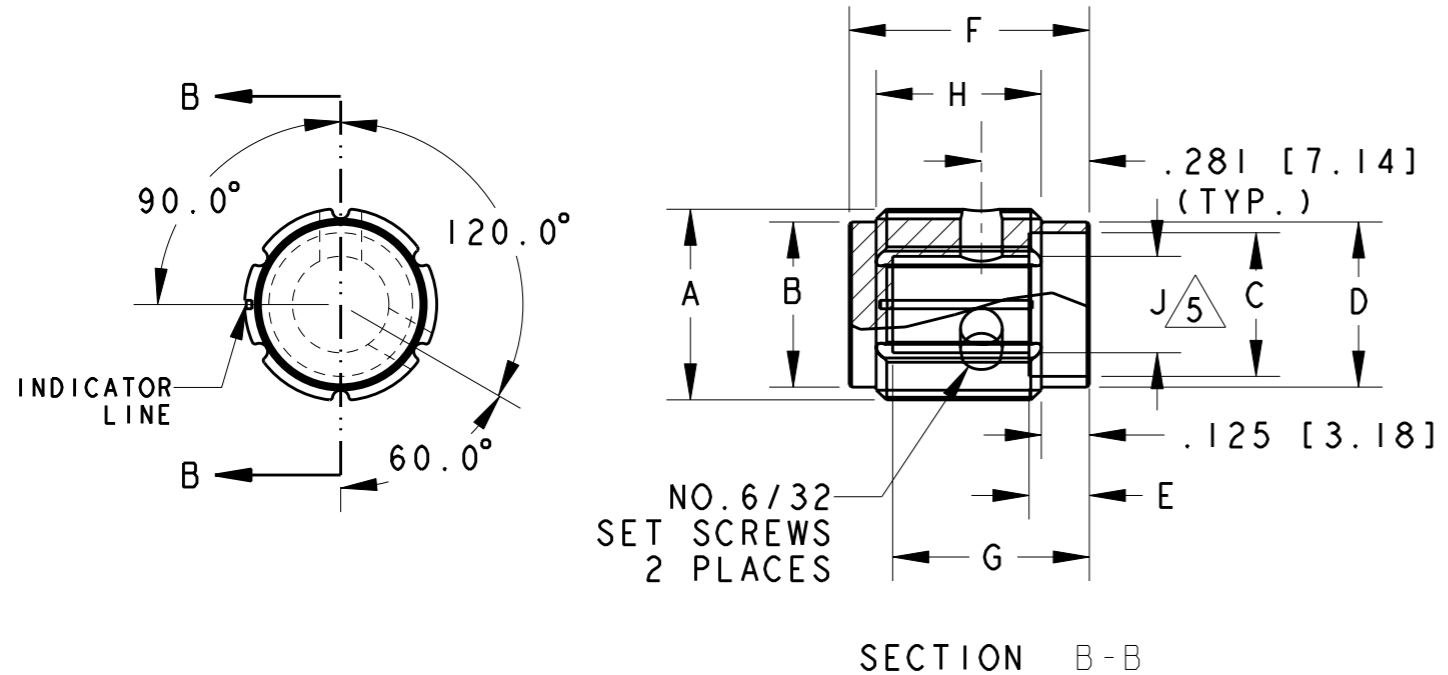


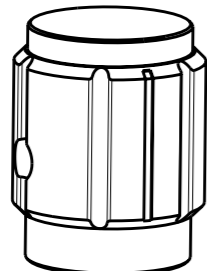
THIS DRAWING IS UNPUBLISHED. RELEASED FOR PUBLICATION 20
 © COPYRIGHT 20 BY TYCO ELECTRONICS CORPORATION. ALL RIGHTS RESERVED.

| LOC | DIST | REVISIONS | | | | |
|-----|------|-------------|---------------|-----------|-------|--|
| P | LTR | DESCRIPTION | DATE | DWN | APVD | |
| AD | 00 | A | ECO-08-028081 | 17NOV2008 | MB MW | |



- PARTS TO BE CLEAN AND DRY WHEN RECEIVED
- BURRS CAUSED BY TAPPING MUST NOT INTERFERE WITH SHAFT INSERTION TO FULL SHAFT DEPTH, NOR ARE BURRS ALLOWED ABOVE OUTER SURFACES.

- 3 2 STAINLESS STEEL SOCKET SET SCREWS
- 4 KNOB 5056 ALUMINUM ALLOY COLOR SEE TABLE
- 5 SHAFT HOLE TOLERANCE +.003 -.000



| PART NUMBER | MODEL NO. | A | B | C | D | E | F | G | H | J | ANODIZE |
|-------------|----------------|-----------------|-----------------|----------------|-----------------|----------------|----------------|----------------|----------------|----------------|---------|
| 2-1437621-0 | KA-500-A-1/8 | .500 (12.70) | .430 (10.9) | .375 (9.53) | .430 (10.9) | .157 (15.9) | .625 (15.9) | .512 (13.0) | .430 (10.9) | .126 (3.20) | CLEAR |
| 1-1437621-9 | KA-500-A-1/4 | .500 (12.70) | .430 (10.9) | .375 (9.53) | .430 (10.9) | .157 (15.9) | .625 (15.9) | .512 (13.0) | .430 (10.9) | .251 (6.37) | CLEAR |
| 2-1437621-2 | KA-500-B-1/8 | .500 (12.70) | .430 (10.9) | .375 (9.53) | .430 (10.9) | .157 (15.9) | .625 (15.9) | .512 (13.0) | .430 (10.9) | .126 (3.20) | BLACK |
| 2-1437621-1 | KA-500-B-1/4 | .500 (12.70) | .430 (10.9) | .375 (9.53) | .430 (10.9) | .157 (15.9) | .625 (15.9) | .512 (13.0) | .430 (10.9) | .251 (6.37) | BLACK |
| 2-1437621-3 | KA-700-A-1/4 | .750 (19.05) | .655 (16.6) | .590 (15.0) | .655 (16.6) | .157 (15.9) | .625 (15.9) | .512 (13.0) | .430 (10.9) | .251 (6.37) | CLEAR |
| 2-1437621-4 | KA-700-B-1/4 | .750 (19.05) | .655 (16.6) | .590 (15.0) | .655 (16.6) | .157 (15.9) | .625 (15.9) | .512 (13.0) | .430 (10.9) | .251 (6.37) | BLACK |
| 2-1437621-5 | KA-900-A-1/4 | .937 (28.8) | .817 (20.8) | .700 (17.8) | .817 (20.8) | .157 (15.9) | .625 (15.9) | .512 (13.0) | .430 (10.9) | .251 (6.37) | CLEAR |
| 2-1437621-6 | KA-900-B-1/4 | .937 (28.8) | .817 (20.8) | .700 (17.8) | .817 (20.8) | .157 (15.9) | .625 (15.9) | .512 (13.0) | .430 (10.9) | .251 (6.37) | BLACK |
| 1977113-1 | KA-900A-NL-1/4 | .937 (28.8) | .817 (20.8) | .700 (17.8) | .817 (20.8) | .157 (15.9) | .625 (15.9) | .512 (13.0) | .430 (10.9) | .251 (6.37) | CLEAR |
| - | KA-1250-A-1/4 | 1.250 (31.8) | 1.110 (28.2) | .985 (25.0) | 1.110 (28.2) | .157 (15.9) | .625 (15.9) | .512 (13.0) | .430 (10.9) | .251 (6.37) | CLEAR |
| 1-1437621-8 | KA-1250-B-1/4 | 1.250 (31.8) | 1.110 (28.2) | .985 (25.0) | 1.110 (28.2) | .157 (15.9) | .625 (15.9) | .512 (13.0) | .430 (10.9) | .251 (6.37) | BLACK |

THIS DRAWING IS A CONTROLLED DOCUMENT FOR TYCO ELECTRONICS CORPORATION. IT IS SUBJECT TO CHANGE AND THE CONTROLLING ENGINEERING ORGANIZATION SHOULD BE CONTACTED FOR THE LATEST REVISION.

| | | | |
|----------------------------|---|---|---|
| DIMENSIONS: INCHES [mm] | TOLERANCES UNLESS OTHERWISE SPECIFIED: 0 PLC ±. 1 PLC ±. 2 PLC ±. 3 PLC ±.015 4 PLC ±. ANGLES ±3° | DWN M. BINNER 17NOV2008 CHK M. WILBOURN 17NOV2008 APVD M. WILBOURN 17NOV2008 | Tyco Electronics Harrisburg, PA 17105-3608 |
| MATERIAL | FINISH | PRODUCT SPEC - | NAME KNOB KA SERIES |
| | | APPLICATION SPEC - | SIZE A3 |
| | | WEIGHT - | CAGE CODE 00779 |
| | | | DRAWING NO 1-1437621-8 |
| | | | RESTRICTED TO - |
| | | CUSTOMER DRAWING | SCALE 2.000 |
| | | | SHEET 1 OF 1 |
| | | | REV A |