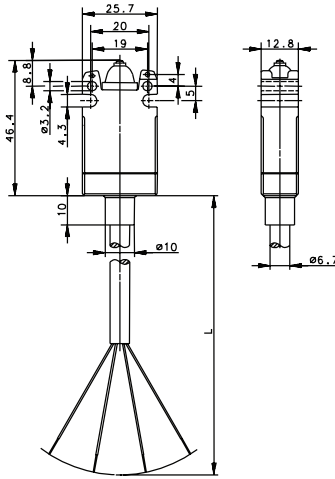
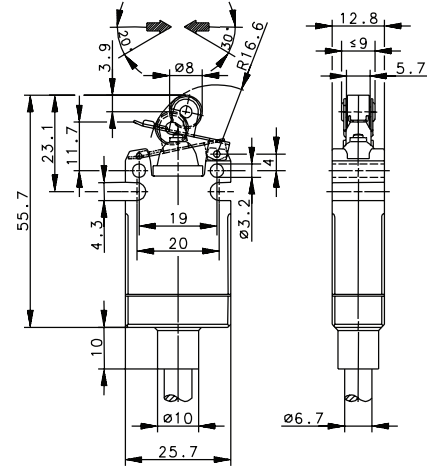


EEX Series Limit Switches

EEX W



EEX RH

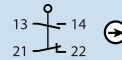


6.5' (2 meter) connection cable

609.0153.002
EEX-SU1Z W -2M-



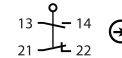
609.0148.022
EEX-SU1Z RH -2M-



16.4' (5 meter) connection cable

-
-

609.0148.024
EEX-SUTZ RH -5M-

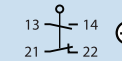


29.5' (9 meter) connection cable

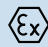
609.0153.005
EEX-SU1Z W -9M-

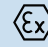


609.0148.025
EEX-SUTZ RH -9M-



EX Certification

 II 2 G EEx d IIC T6

 II 2 G EEx d IIC T6

Technical Information

Maximum Switching Voltage	230V	230V
Maximum Switching Amperage	5A	5A
B10d	4 Million	4 Million
Mechanical Service Life	2 x 10 ⁶	2 x 10 ⁶
Switching Frequency	≤ 120/min	≤ 120/min
Operating Temperature	-20 °C to +65 °C	-20 °C to +65 °C
Protection Rating	IP66 / IP67	IP66 / IP67
Utilization Category	AC 15, 240 V / 3 A; DC 13, 250 V / 0.27 A	AC 15, 240 V / 3 A; DC 13, 250 V / 0.27 A
Rate Insulation Voltage	250VAC	250VAC

Drawing dimensions in mm