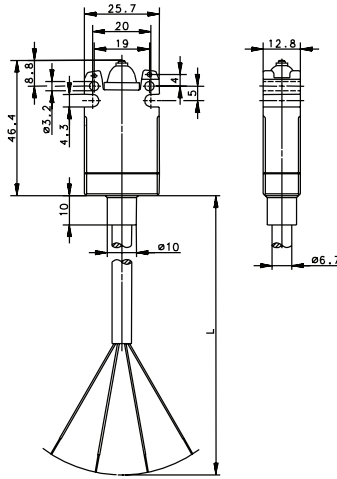
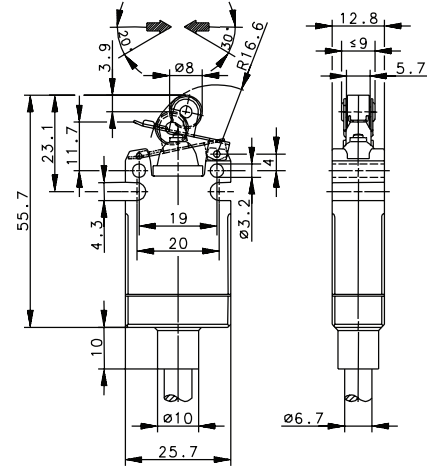


**EEX Series Limit Switches**

**EEX W**



**EEX RH**



6.5' (2 meter) connection cable

**609.0153.002**  
EEX-SU1Z W -2M-

**609.0148.022**  
EEX-SU1Z RH -2M-

16.4' (5 meter) connection cable

-  
-

**609.0148.024**  
EEX-SUTZ RH -5M-

29.5' (9 meter) connection cable

**609.0153.005**  
EEX-SU1Z W -9M-

**609.0148.025**  
EEX-SUTZ RH -9M-

**EX Certification**

II 2 G EEx d IIC T6

II 2 G EEx d IIC T6

**Technical Information**

Maximum Switching Voltage	230V	230V
Maximum Switching Amperage	5A	5A
B10d	4 Million	4 Million
Mechanical Service Life	2 x 10 <sup>6</sup>	2 x 10 <sup>6</sup>
Switching Frequency	≤ 120/min	≤ 120/min
Operating Temperature	-20 °C to +65 °C	-20 °C to +65 °C
Protection Rating	IP66 / IP67	IP66 / IP67
Utilization Category	AC 15, 240 V / 3 A; DC 13, 250 V / 0.27 A	AC 15, 240 V / 3 A; DC 13, 250 V / 0.27 A
Rate Insulation Voltage	250VAC	250VAC

Drawing dimensions in mm