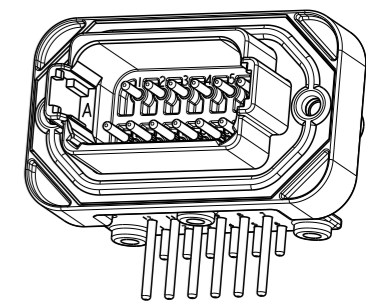
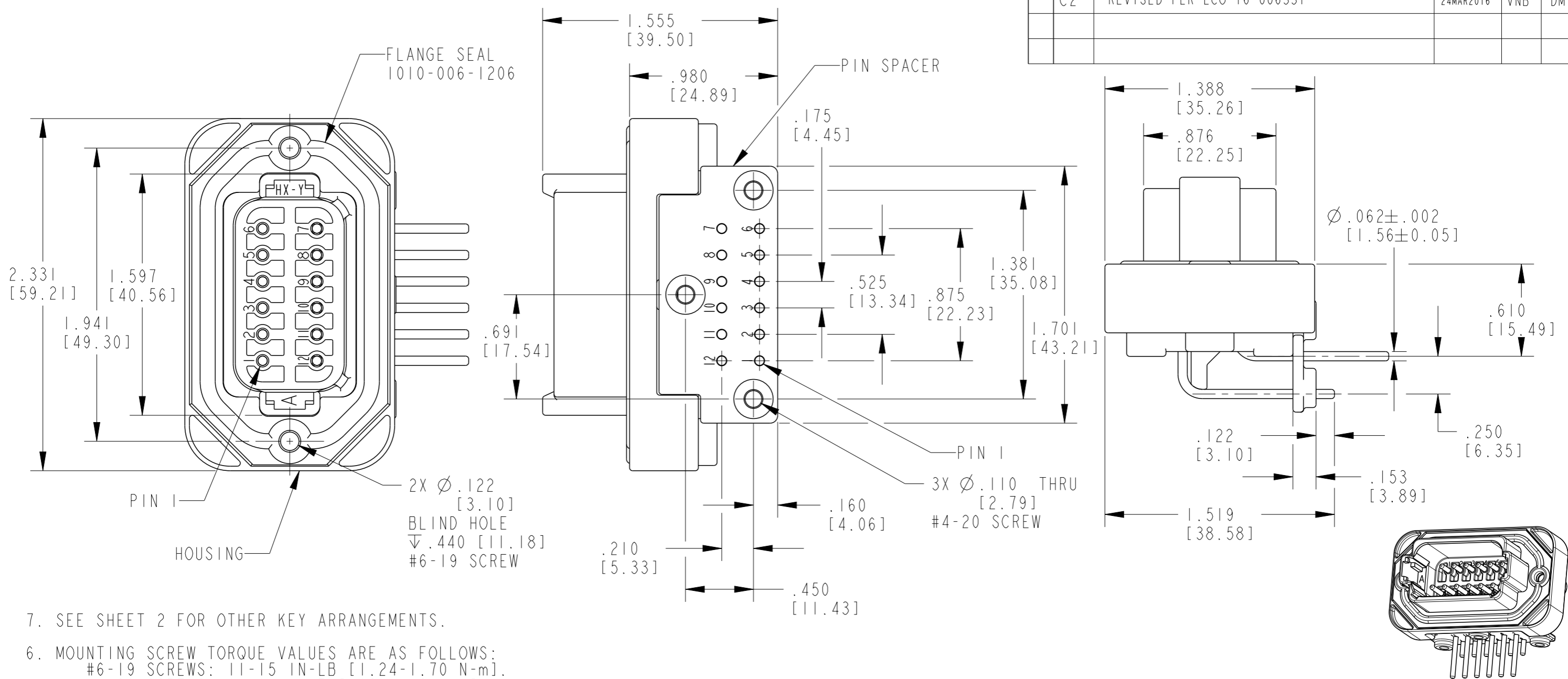


LOC	DIST	REVISIONS			
P	LTR	DESCRIPTION	DATE	DWN	APVD
-	-	C1	REVISED PER ECO-14-010107	03JUL2014	JA DM
-	-	C2	REVISED PER ECO-16-006331	24MAR2016	VNB DM



7. SEE SHEET 2 FOR OTHER KEY ARRANGEMENTS.
6. MOUNTING SCREW TORQUE VALUES ARE AS FOLLOWS:  
 #6-19 SCREWS: 11-15 IN-LB [1.24-1.70 N-m].  
 #4-20 SCREWS: 6-10 IN-LB [.68-1.13 N-m].  
 VALUES VALID FOR PLASTITE 48 SCREWS ONLY.
5. RECOMMENDED MOUNTING SCREWS (NOT INCLUDED): CAMCAR PLASTITE 48, SINGLE HELIX.
4. THIS RECEPTACLE MATES WITH DT06-12SX PLUG (X = A,B,C,D KEYS, XXXX = ALL MODIFICATIONS).
3. CONTACT PLATING - MATING SIDE: NICKEL; PCB SIDE: TIN

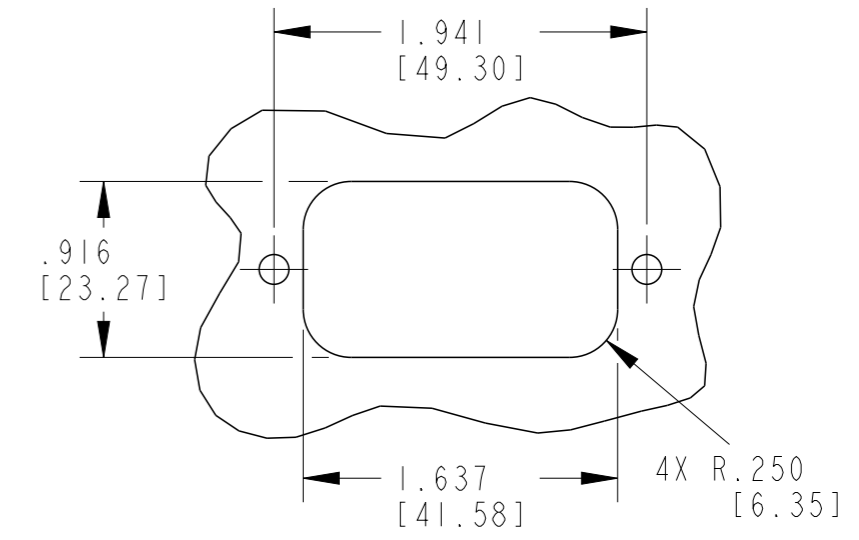
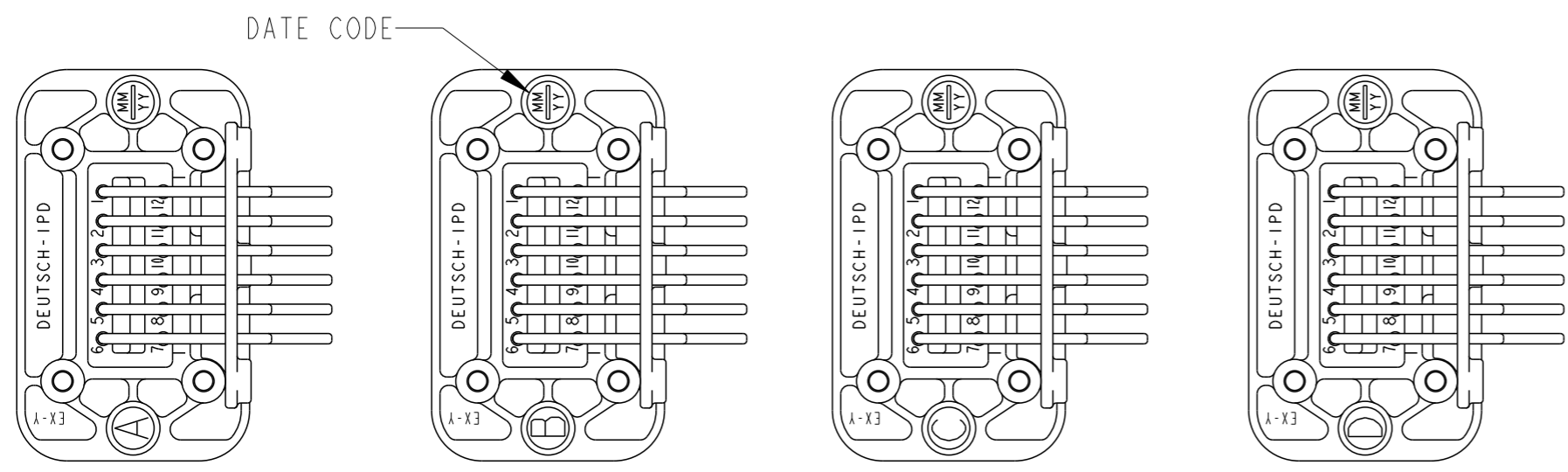
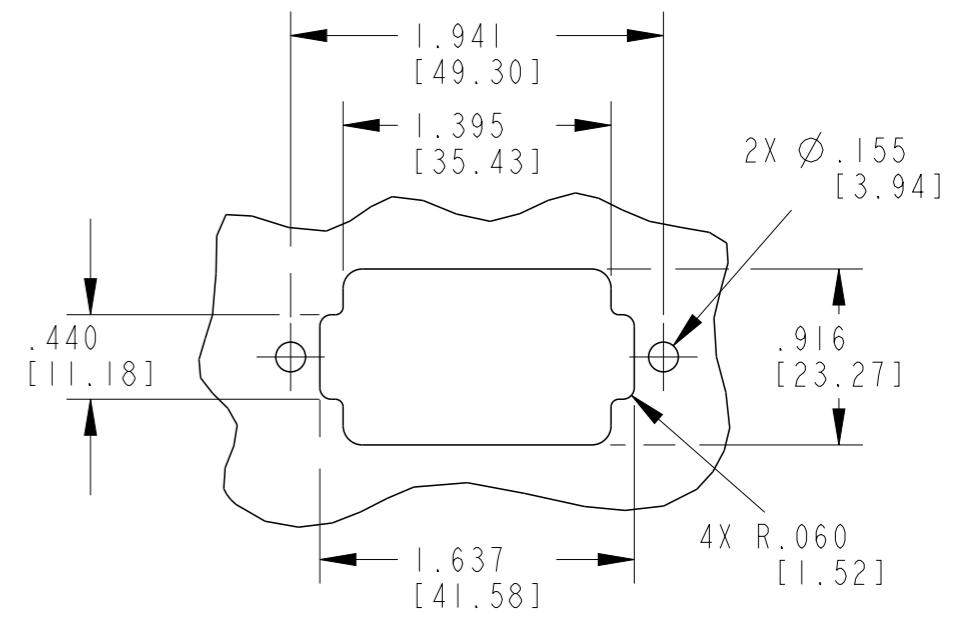
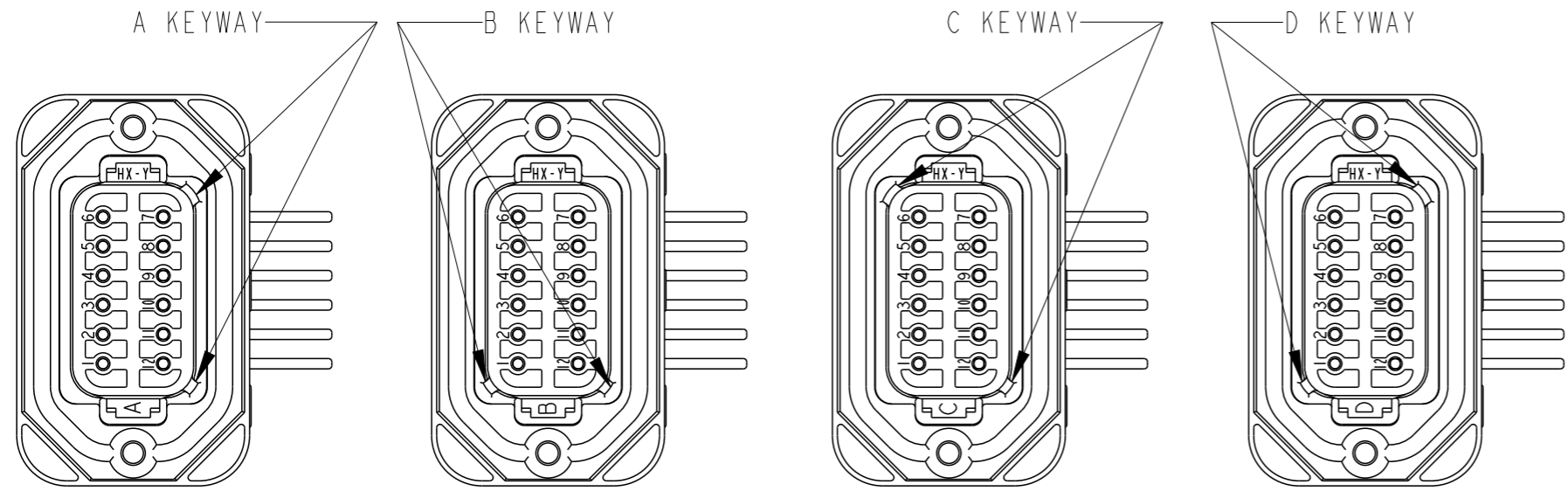
TE INTERNAL PN	DEUTSCH PN
DT13-12PA	DT13-12PA
DT13-12PB	DT13-12PB
DT13-12PC	DT13-12PC
DT13-12PD	DT13-12PD

- 2 MATERIALS:  
 HOUSING/PIN SPACER: PA46 GF30 (SEE SHEET 2 FOR COLORS)  
 FLANGE SEAL: VMO (RED-ORANGE)  
 PIN CONTACTS: COPPER ALLOY
- 1 DIMENSION TOLERANCE: ±.025 [.64]  
 PANEL CUTOUT: ±.010 [.25]  
 PIN LOCATIONS: ±.005 [.13]  
 MOUNTING HOLE LOCATIONS: ±.010 [.13]

NOTES:

THIS DRAWING IS A CONTROLLED DOCUMENT.		DWN P. BURKE 06JUN2001	TE Connectivity <b>RECEPTACLE HEADER</b> 12 PIN 90 DEG DT SERIES	
DIMENSIONS: INCHES [mm]		CHK KEVIN MCKEE 03JUL2014		
TOLERANCES UNLESS OTHERWISE SPECIFIED:		APVD DAVID MEYER 03JUL2014		
0 PLC ± 1 PLC ± 2 PLC ± 3 PLC ± 4 PLC ± ANGLES ±0°30'0" FINISH -		PRODUCT SPEC -		
MATERIAL 2		APPLICATION SPEC -	NAME	RESTRICTED TO
		WEIGHT 41g±10%	SIZE A3	CAGE CODE 4AFU8
		CUSTOMER DRAWING	DRAWING NO. DT13-12PX	
		SCALE 3:2	SHEET 1 OF 2	REV C2

LOC		DIST		REVISIONS				
P	LTR	DESCRIPTION			DATE	DWN	APVD	
	-	SEE SHEET 1			-	-	-	



**DT13-12PA**  
COLOR GREY

**DT13-12PB**  
COLOR BLACK

**DT13-12PC**  
COLOR GREEN

**DT13-12PD**  
COLOR BROWN

**RECOMMENDED PANEL CUTOUTS**

THIS DRAWING IS A CONTROLLED DOCUMENT.		DWN P. BURKE 06 JUN 2001			
DIMENSIONS: INCHES [mm]		CHK KEVIN MCKEE 03 JUL 2014			
TOLERANCES UNLESS OTHERWISE SPECIFIED:		APVD DAVID MEYER 03 JUL 2014	NAME RECEPTACLE HEADER 12 PIN 90 DEG DT SERIES		
0 PLC ± 1 PLC ± 2 PLC ± 3 PLC ± 4 PLC ± ANGLES ±0° 30' 0"		PRODUCT SPEC	RESTRICTED TO		
MATERIAL 		FINISH	SIZE A3	CAGE CODE 4AFU8	DRAWING NO DT13-12PX
		WEIGHT 41g ± 10%	SCALE 1:1	SHEET 2 OF 2	REV C2
		CUSTOMER DRAWING			