

THIS DRAWING IS UNPUBLISHED. RELEASED FOR PUBLICATION
 © COPYRIGHT - By - ALL RIGHTS RESERVED.

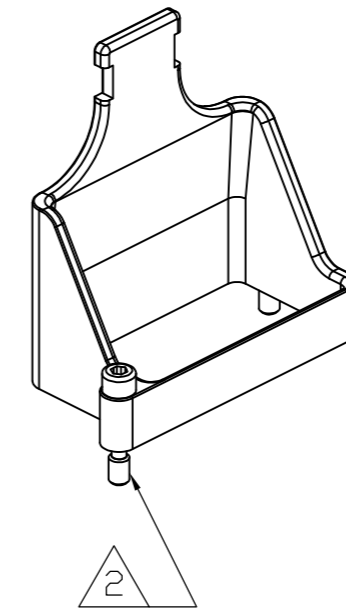
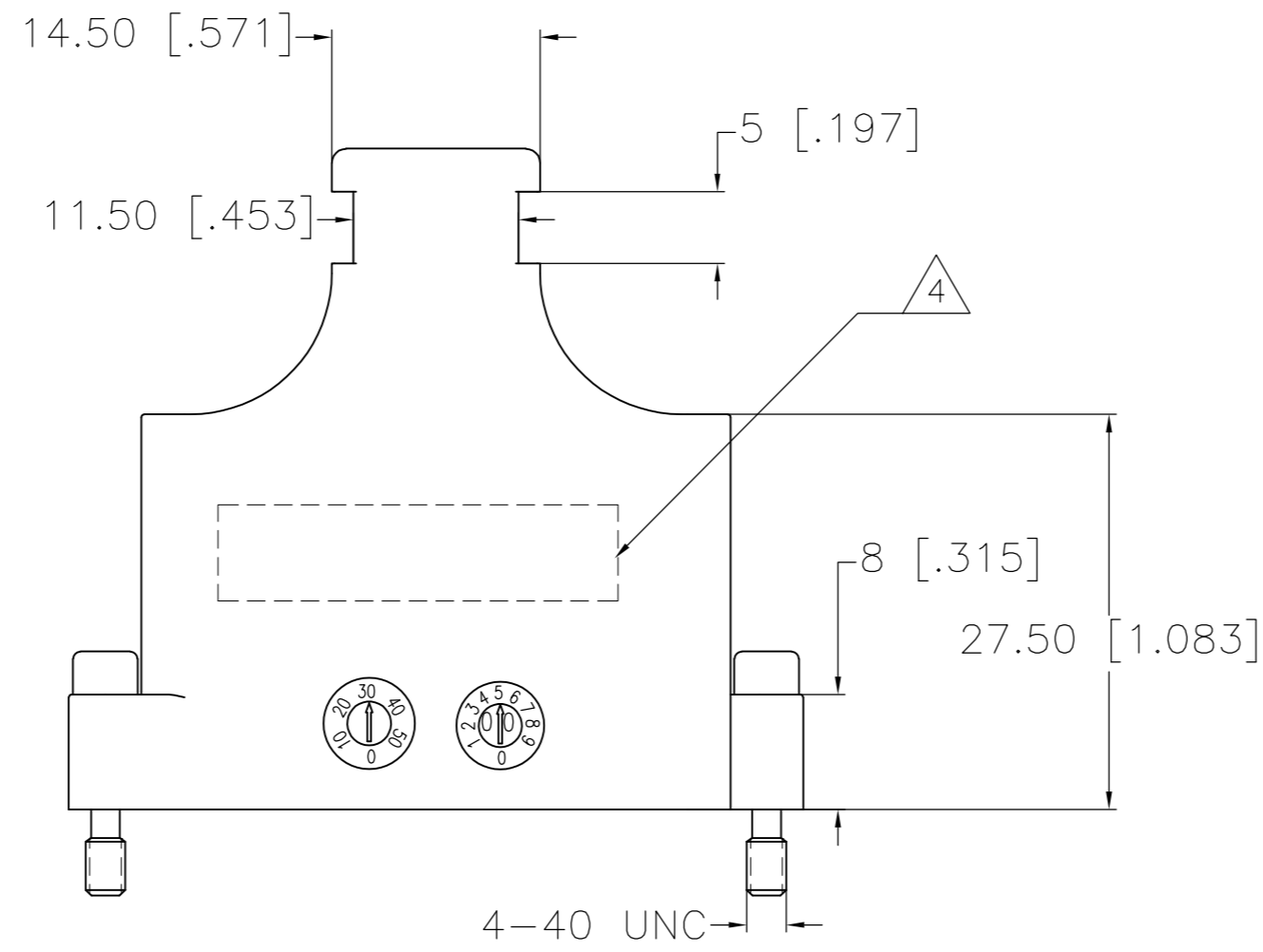
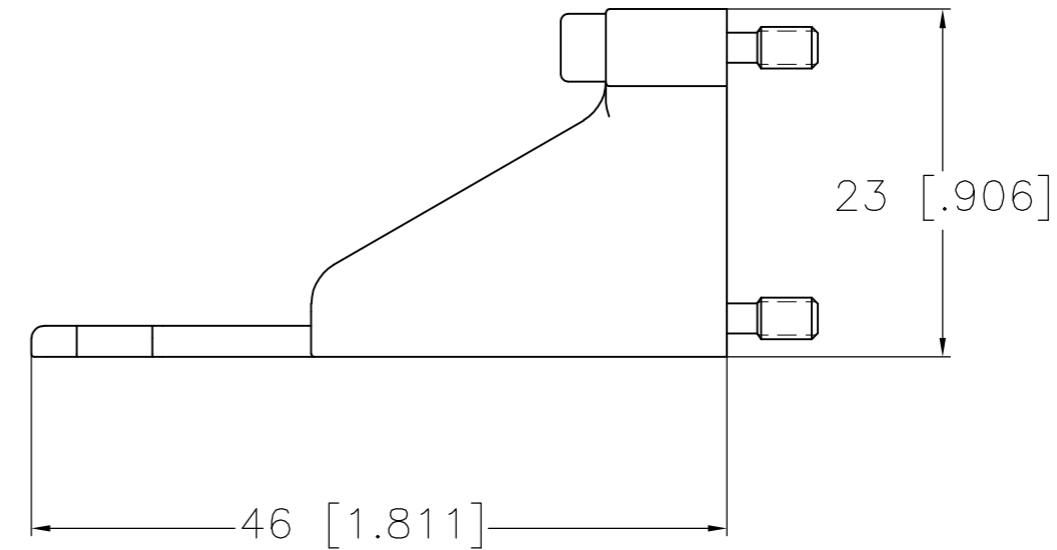
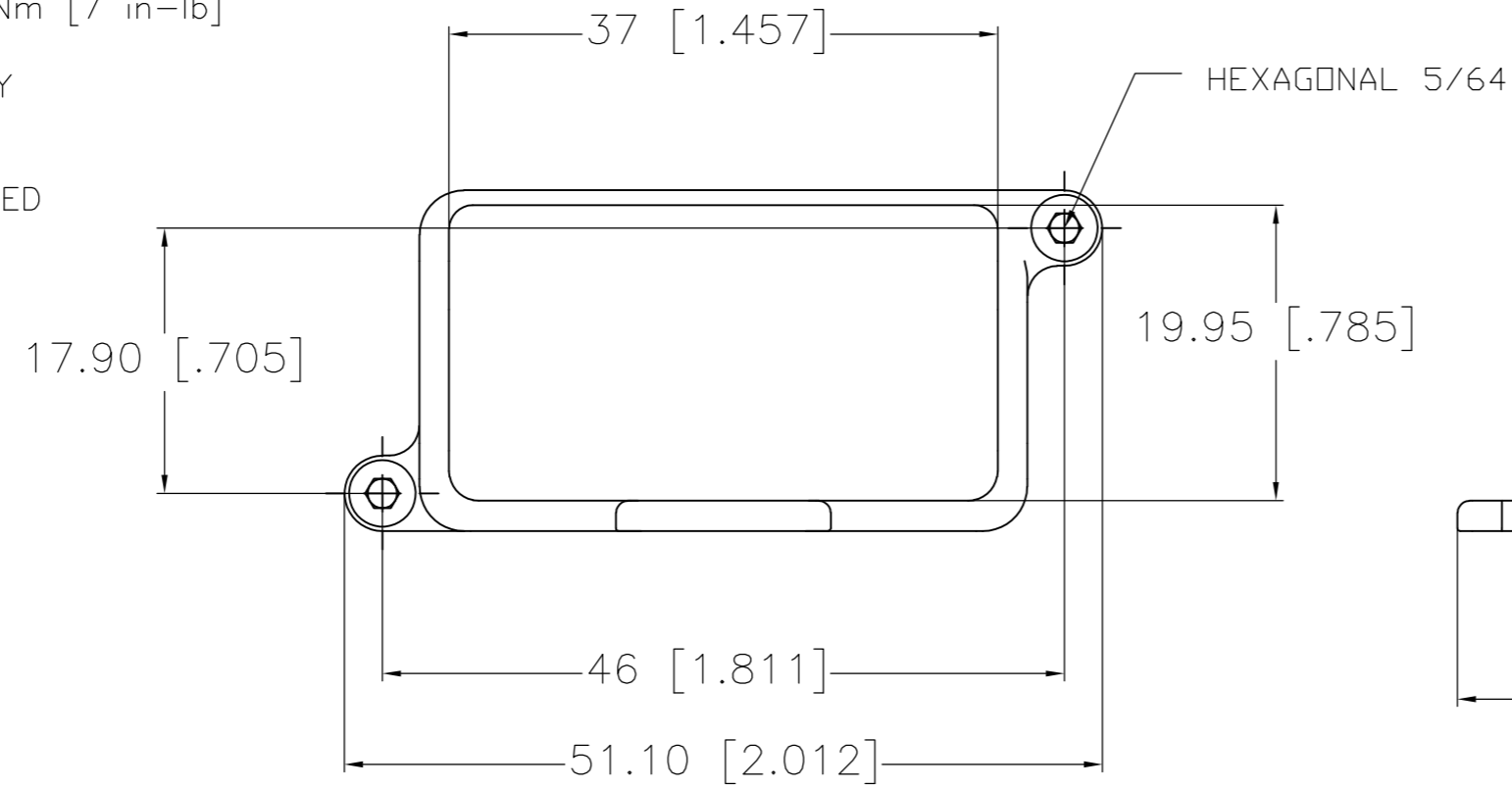
LOC		DIST		REVISIONS			
P	LTR	DESCRIPTION		DATE	DWN	APVD	
	A	REV PER ECO 11-008123		4-27-11	CT	KH	

1 MATERIALS :
 - BACKSHELL : HIGH GRADE THERMOPLASTIC
 - SCREWS : STAINLESS STEEL 303

2 SCREWS ARE CAPTIVE MOUNTED
 LOCKING TORQUE FOR 4-40 SCREW= 0,8 Nm [7 in-lb]

3 THIS PRODUCT IS SOLD BY TE CONNECTIVITY
 UNDER A LICENSE FROM RADIAL SA.

4 MANUFACTURE'S NAME AND PART NO. MARKED
 IN APPROXIMATE LOCATION SHOWN.



1738310-1
 PART NUMBER

THIS DRAWING IS A CONTROLLED DOCUMENT.		DWN	R FLAIG	OCT03		TE Connectivity		
DIMENSIONS: mm [INCHES]		CHK	J MOSIER	OCT03		NAME GPR-B1 STRAIGHT STRAIN RELIEF		
TOLERANCES UNLESS OTHERWISE SPECIFIED:		APVD	J MOSIER	OCT03		PRODUCT SPEC		
0 PLC ± - 1 PLC ± - 2 PLC ± 0.20 [.008] 3 PLC ± - 4 PLC ± - ANGLES ± -		APPLICATION SPEC		SIZE CAGE CODE DRAWING NO RESTRICTED TO				
MATERIAL		FINISH		WEIGHT	A2	00779	C=1738310	
CUSTOMER DRAWING				SCALE	1:1	SHEET	1 of 1	
				REV	A			