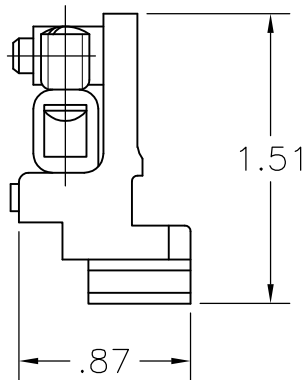
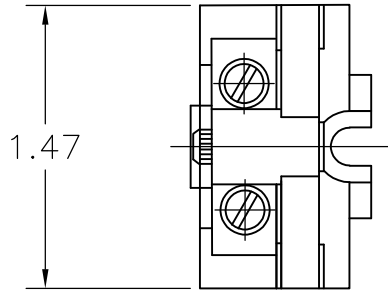


LOC	DIST	REVISIONS					
—	—	P	LTR	DESCRIPTION	DATE	DWN	APVD
			A1	REVISED PER ECO-11-005027	11MAR11	RK	HMR

△ 1 MATERIAL: PHENOLIC



THIS DRAWING IS UNPUBLISHED.

ALL RIGHTS RESERVED.

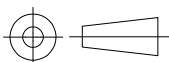
By —



DIMENSIONS:  
INCHES

TOLERANCES UNLESS OTHERWISE SPECIFIED:

- 0 PLC ± -
- 1 PLC ± -
- 2 PLC ± -
- 3 PLC ± -
- 4 PLC ± -
- ANGLES ± -



DWN	RAGHAVENDRA	29SEP08
CHK	MACE SAM	29SEP08
APVD	MACE SAM	29SEP08
PRODUCT SPEC	—	
APPLICATION SPEC	—	
WEIGHT	—	

MATERIAL	△ 1	FINISH	—
		TE Connectivity	
		NAME 0223-**-H D SECTIONAL BLOCK	
SIZE	CAGE CODE	DRAWING NO	RESTRICTED TO
A4	00779	①-1-1437390-2	—

CUSTOMER DRAWING	SCALE	1:1	SHEET	1 of 1	REV	A1
------------------	-------	-----	-------	--------	-----	----