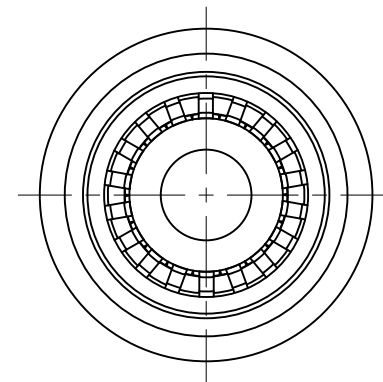
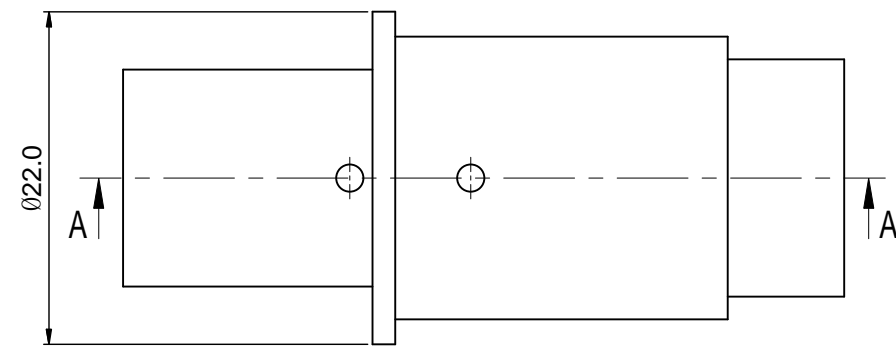
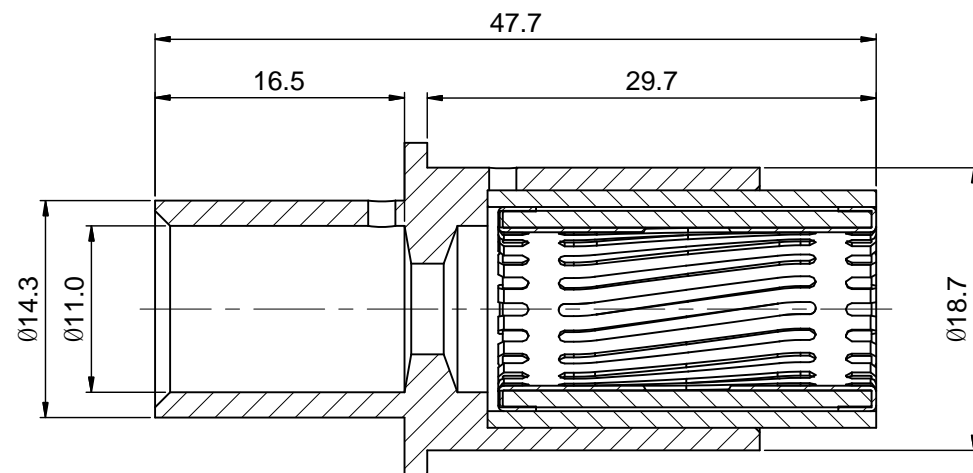


| REVISIONS | | | | | |
|-----------|-----|------------------------|----------|-------|-------|
| REV | ECO | DESCRIPTION | DATE | BY | APPR |
| B1 | - | RELEASE NEW DWG FORMAT | 08/22/14 | DRACK | TOMMY |

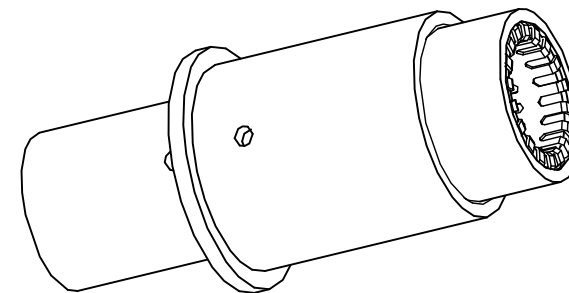


NOTES: UNLESS OTHERWISE SPECIFIED

- MATERIAL: COPPER ALLOY, SILVER PLATED
- SPECIFICATIONS:
 - RATED CURRENT: 180 AMPS
 - CONTACT RESISTANCE: <0.3 MILLIOHM
 - AVAILABLE WIRE RANGE: 50 MM²
 - RoHS COMPLIANT
- ALL DIMENSIONS ARE FOR REFERENCE USE ONLY.



SECTION A-A



| QUANTITY | SEE PART NUMBER CHART PART NUMBER | DESCRIPTION | ITEM |
|---|---|---|---|
| MATERIALS LIST | | | |
| UNLESS OTHERWISE SPECIFIED 1) All dimensions are in metric(mm). 2) Tolerances are as follows: 1 PL DEC ±0.30 2 PL DEC ±0.15 3 PL DEC ±0.08 Fractions ±1/64 Angles ±1° 3) Note reference = | | SIGNATURES DRAWN: Drack CHECKED: ENGINEER: APPROVAL: DATE 08/22/14 | <h1>Amphenol</h1> <p>Sine Systems - www.amphenol-sine.com 44724 Morley Drive Clinton Township, MI 48036</p> |
| MATERIAL SPECIFICATIONS: PROCESS SPECIFICATIONS: NEXT ASSY: | | CUSTOMER: THIS DRAWING IS SUPPLIED FOR INFORMATION ONLY. DESIGN FEATURES, SPECIFICATIONS AND PERFORMANCE DATA SHOWN HEREON ARE THE PROPERTY OF THE AMPHENOL CORPORATION. NO RIGHTS OF REPRODUCTION ARE IMPLIED. ALL DIMENSIONS ARE SUBJECT TO NORMAL MANUFACTURING VARIATIONS. | |
| SIZE: B SCALE: 2 : 1 | | TYPE: C- DWG NO.: HS50DCS | REVISION: B1 SHEET 1 OF 1 |

TITLE: ECO-MATE,10MM RADSOK,CRIMP 50MM²
 DWG NO.: HS50DCS
 REV: B1
 SH: 1
 OF: 1