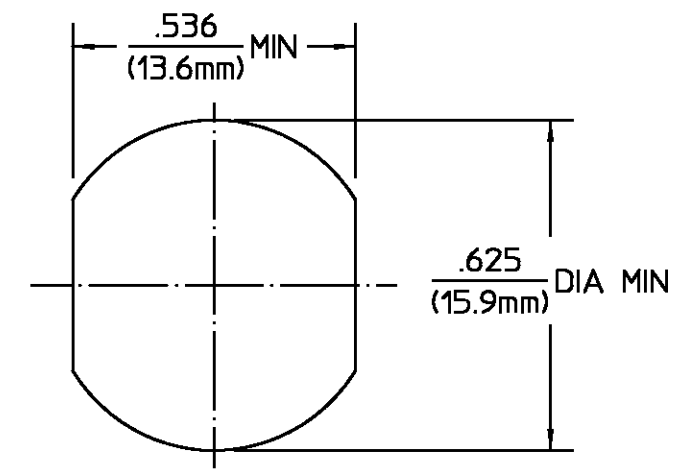
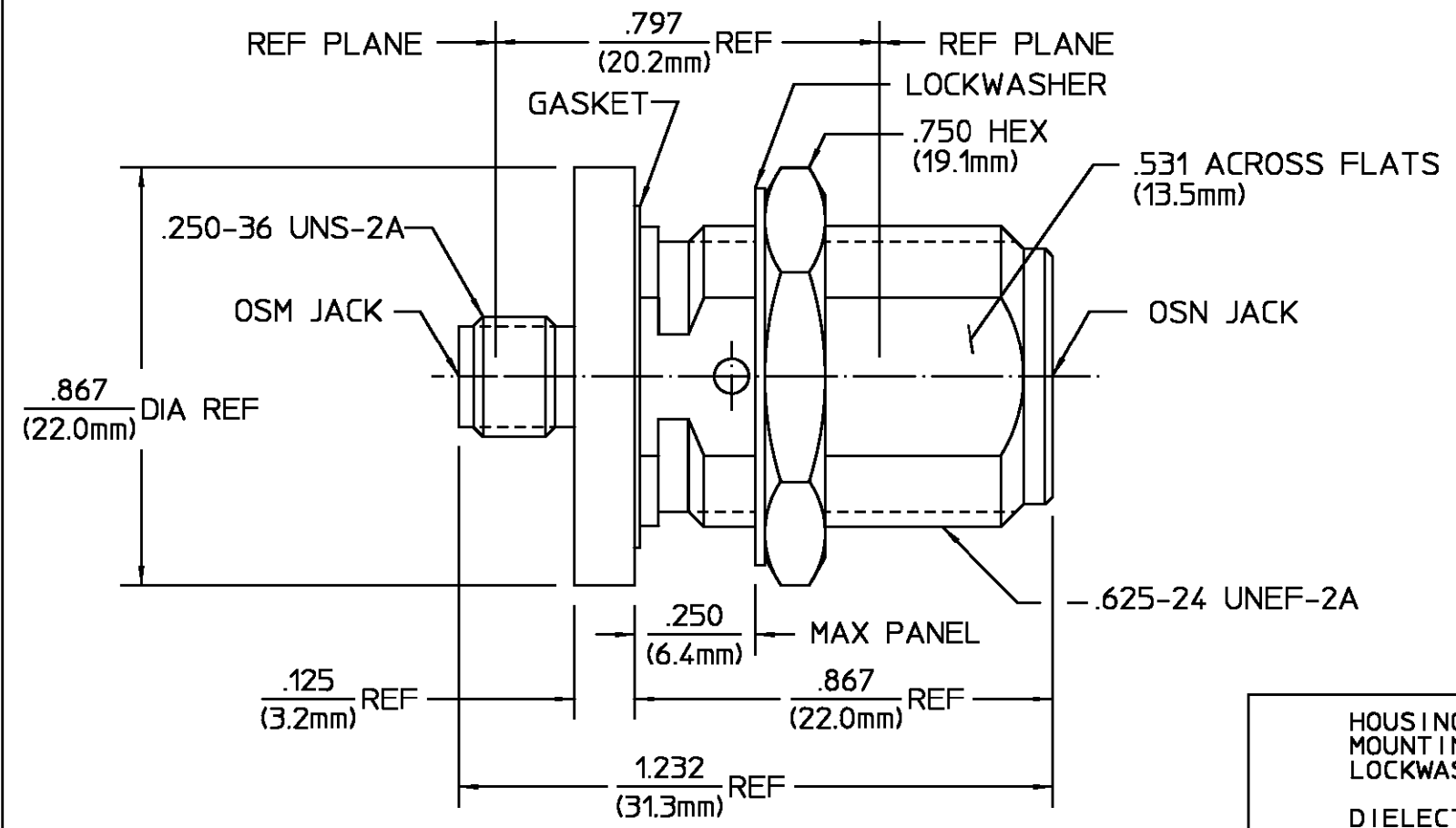


REVISIONS			
REV	DESCRIPTION	DATE	APPROVED
02 <sub>0</sub>	REVISED	2/15/95	<i>M.A.</i>



RECOMMENDED MOUNTING HOLE

**SPECIFICATIONS**

Nominal Impedance (Ohms) 50  
 Frequency Range (GHz) DC to 15  
 VSWR 1.06+.005f(GHz) DC to 12.4 GHz  
 .83+.023f(GHz) DC 12.4 to 15 GHz  
 OP. TEMP RANGE -- 65°C To 165°C

MECHANICAL & ELECTRICAL REQ'TS PER  
 D.E.S.C. 8503812FP-3

COMPONENT	MATERIAL	FINISH
HOUSING MOUNTING NUT LOCKWASHER	STAINLESS STEEL PER ASTM-A484 AND ASTM- A582, TYPE 303	PASSIVATE PER QQ-P-35
DIELECTRIC	TFE FLUOROCARBON PER ASTM-D-1457	N/A
CENTER CONTACT	BERYLLIUM COPPER PER ASTM-B-196 OR ASTM-B-197, ALLOY C17300, CONDITION H	GOLD PLATE PER MIL-G-45204
GASKET	SILICONE RUBBER PER ZZ-R-765	N/A

UNLESS OTHERWISE SPECIFIED DIMENSIONS ARE IN INCHES TOLERANCE ON FRAC. DEC. ANGLES ± 1/64 ± .005 ± 1°	DRAWN BY B.H. 10/29/87	DATE	AMP Incorporated 140 Fourth Avenue Waltham, MA 02451-7599
	CHECKED BY S.A. 11/4/87		
APPD BY B.C. 1/18/88			
These drawings and specifications are the property of M/A-COM Interconnect Division and shall not be reproduced or copied or used in whole or in part as the basis for the manufacture or sale of item(s) without written permission.	USE ASS'Y PROCEDURE	TITLE OSM JACK TO OSN BULKHEAD FEEDTHRU JACK ADAPTER	
	NO. AP. N/A	SIZE B	CODE IDENT NO. 26805
		SCALE 3:1	3084-4001-00
		REV 02 <sub>0</sub>	SHEET 1 OF 1

CUSTOMER DRAWING

AMP PART # 1057465-1  
 SHEET 1 OF 1 REV A