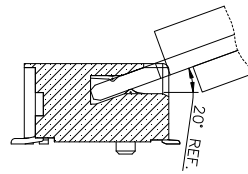
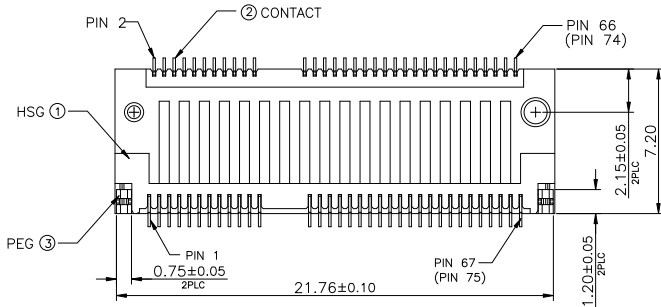


NOTES:  
 1.MATERIAL:  
 1.1 HOUSING:HIGH TEMPERATURE THERMOPLASTIC,UL94V-0,COLOR:BLACK.  
 1.2. CONTACT:COPPER ALLOY.  
 1.3. SOLDER PEG:STAINLESS STEEL.  
 2. FINISH:  
 2.1 CONTACT:  
 UNDERPLATING NICKEL 50u" MIN OVERALL  
 MATING AREA:GOLD PLATING,THICKNESS SEE TABLE  
 SOLDER AREA:GOLD FLASH 1u" MIN.  
 2.2 SOLDER PEG:  
 UNDERPLATING NICKEL 50u" MIN OVERALL  
 80u"MIN MATTE TIN ON SURFACE  
 3.DATE CODE : YYWDXLX  
 YY: YEAR (09: 2009)  
 WW: WEEK (25: THE 25TH WEEK)  
 D: DAY (1~7: SUNDAY~SATURDAY)  
 L: LINE NUMBER OF ASSEMBLY (A: LINE A)  
 X: D OR N (D: DAY; N: NIGHT)  
 4.PRODUCT SPECIFICATION SEE FCI GS-12-1195  
 5.PART NUMBER DESCRIPTION:  
 10128794-00XRLF

LF:LEAD FREE & RoHS COMPLIANCE

PACKAGE CODE:  
 R: TAPE & REEL PACKING  
 PLATING CODE:

- 1: GOLD FLASH ON CONTACT AREA
- 4: 15u"Min GOLD ON CONTACT AREA
- 5: 30u"Min GOLD ON CONTACT AREA



MATING ANGLE ILLUSTRATION

30u" Au	10128794-005RLF
15u" Au	10128794-004RLF
GOLD FLASH	10128794-001RLF
CONTACT AREA	FCI P/N

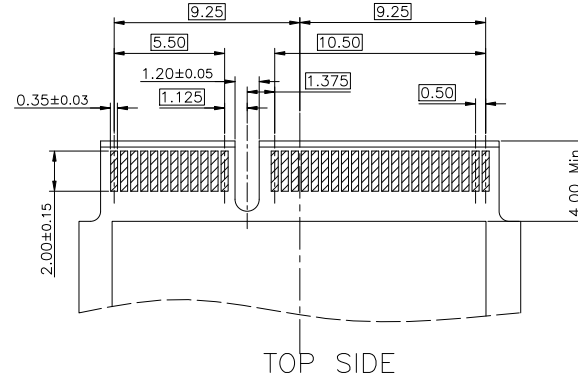
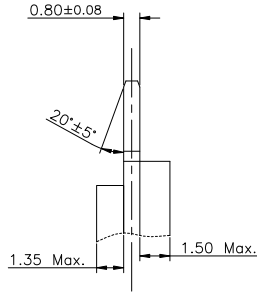
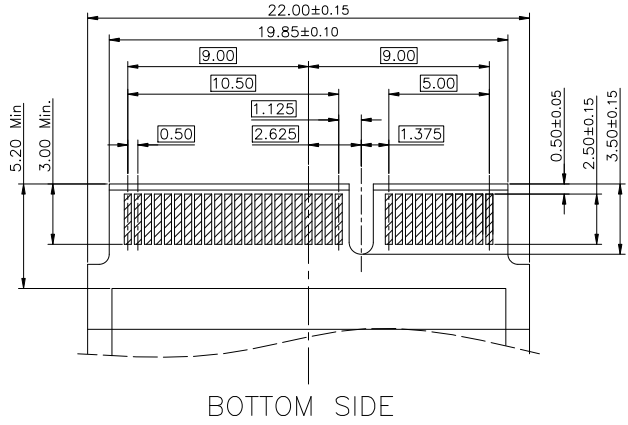
mat'l. code		surface	tolerance	projection	product family	
ltr ecn no dr date		tolerances unless otherwise specified		mm	title	
A	BF	2013-04-18	.X ±0.3			M.2 CONNECTOR 4.2H_STD_KEY E
B	ELX-T-19318	TAI	2014-11-10	.XX ±0.25		
C	ELX-T-20858	TAI	2015-05-11	X*±2" .XXX ±0.05		
		dr	BEER FU	2013-05-02	dwg no sheet 1 of 3 size	
		enr	BEER FU	2013-05-02		10128794 A4
		chr	BEER FU	2013-05-02		
		appd	BEER FU	2013-05-02		
sheet index	revision sheet	C 1	C 2	C 3	type Customer Drawing	



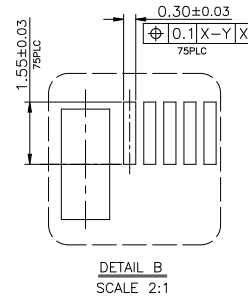
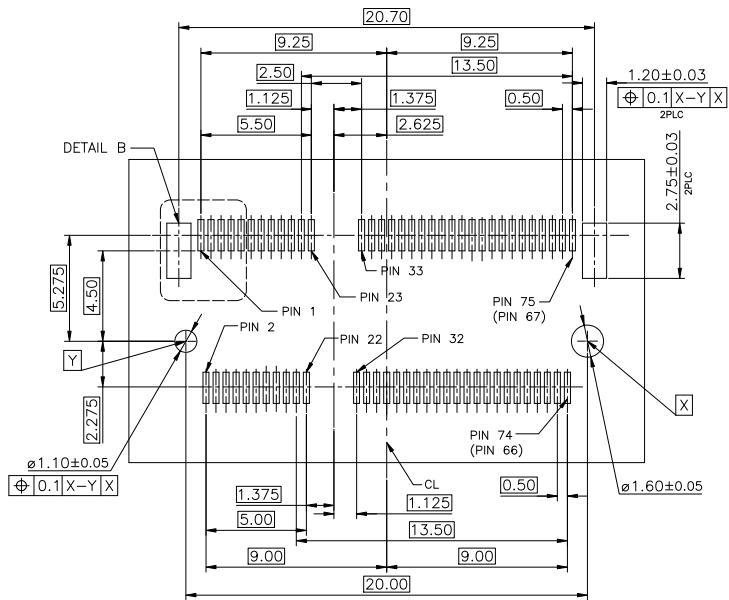
**HF**  
Halogen Free



### PLUG PCB



### RECOMMENDED PCB LAYOUT



DETAIL B  
SCALE 2:1

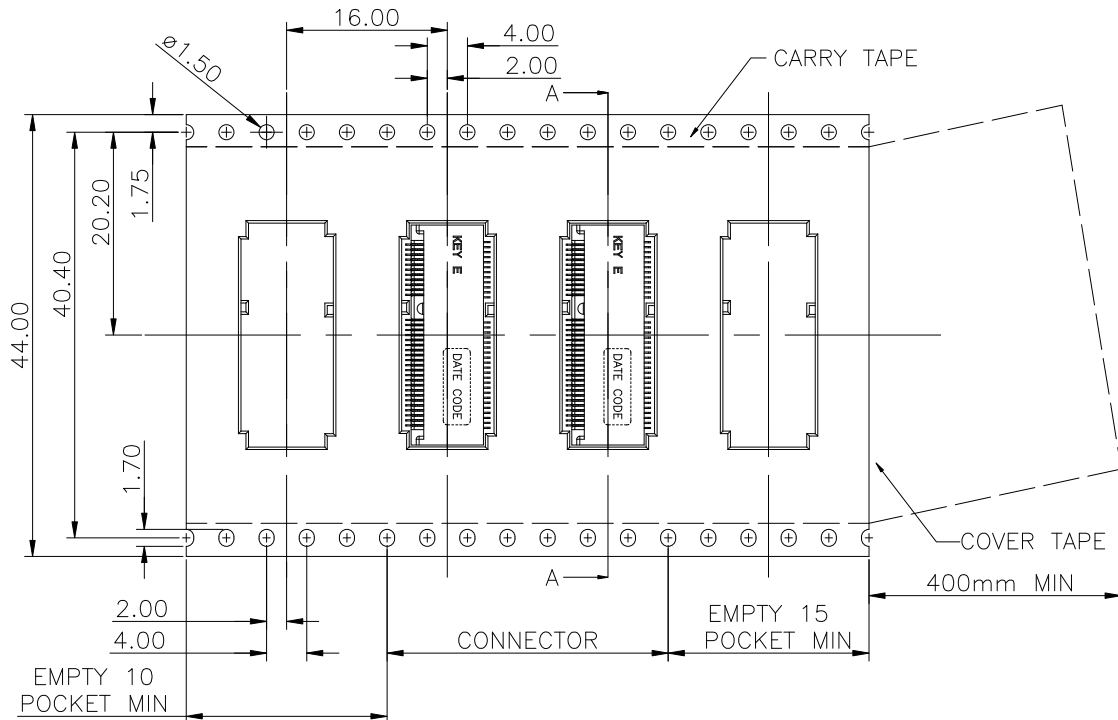
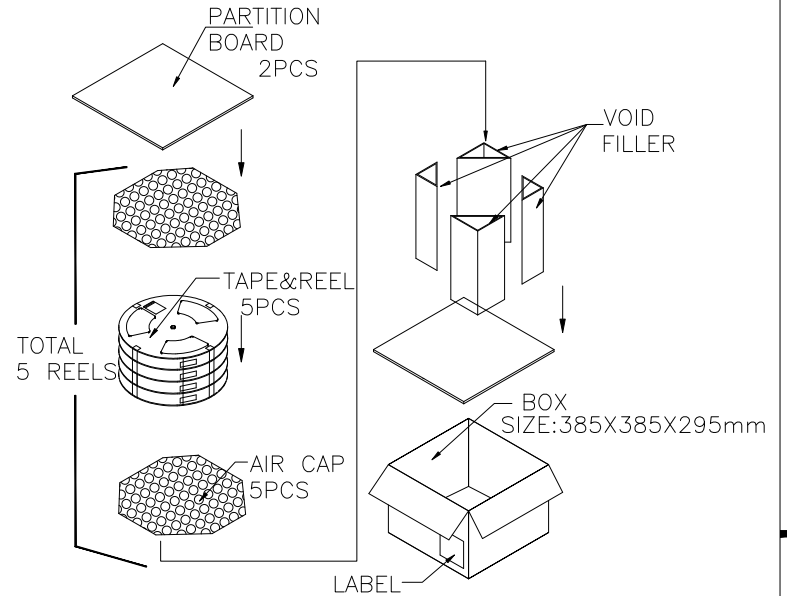
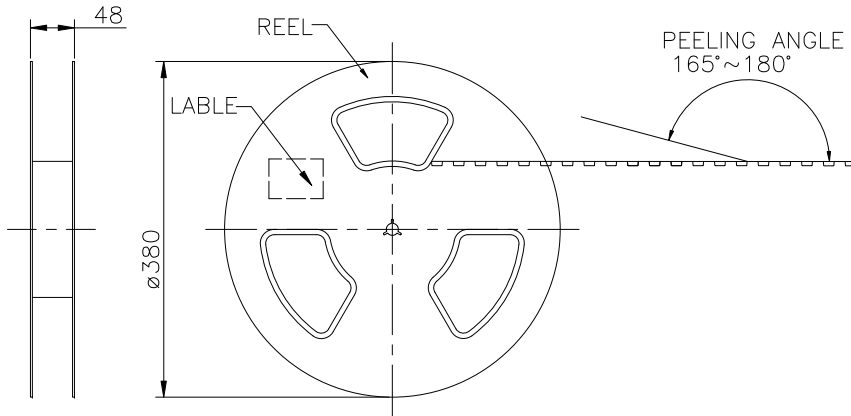
	dwg no	sheet 2 of 3	size
	10128794		A4
	type Customer Drawing		

sheet index	revision sheet	C 1	C 2	C 3															
-------------	----------------	-----	-----	-----	--	--	--	--	--	--	--	--	--	--	--	--	--	--	--

**HF**  
Halogen Free



FEEDING DIRECTION →



1100	5	5500	10.33Kg	5.53Kg
PCS/ TAPE	REELS/ BOX	PCS/BOX	GROSS WEIGHT	NET WEIGHT

	dwg no	sheet 3 of 3	size
	10128794		A4
	type Customer Drawing		

sheet index	revision sheet	C	C	C															
	1	2	3																