

MATING ANGLE ILLUSTRATION

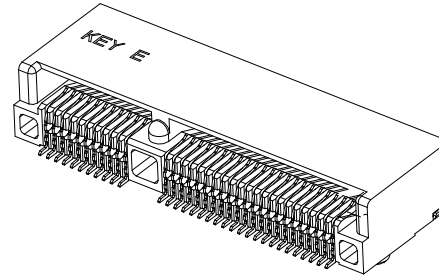
NOTES:

1. MATERIAL:
 - 1.1 HOUSING: HIGH TEMPERATURE THERMOPLASTIC, UL94V-0, COLOR: BLACK.
 - 1.2 CONTACT: COPPER ALLOY.
 - 1.3 SOLDER PEG: STAINLESS STEEL.
2. FINISH:
 - 2.1 CONTACT:
 - UNDERPLATING NICKEL 50u" MIN OVERALL
 - MATING AREA: GOLD PLATING, THICKNESS SEE TABLE
 - SOLDER AREA: GOLD FLASH 1u" MIN.
 - 2.2 SOLDER PEG:
 - UNDERPLATING NICKEL 50u" MIN OVERALL
 - 80u" MIN MATTE TIN ON SURFACE
3. DATE CODE : YYWDX
 - YY: YEAR (09: 2009)
 - WW: WEEK (25: THE 25TH WEEK)
 - D: DAY (1~7: SUNDAY~SATURDAY)
 - L: LINE NUMBER OF ASSEMBLY (A: LINE A)
 - X: D OR N (D: DAY; N: NIGHT)
4. PRODUCT SPECIFICATION SEE FCI GS-12-1195
5. PART NUMBER DESCRIPTION:
 - 10128794-00XRLF

LF: LEAD FREE & RoHS COMPLIANCE

PACKAGE CODE:
R: TAPE & REEL PACKING
PLATING CODE:

- 1: GOLD FLASH ON CONTACT AREA
- 4: 15u" Min GOLD ON CONTACT AREA
- 5: 30u" Min GOLD ON CONTACT AREA



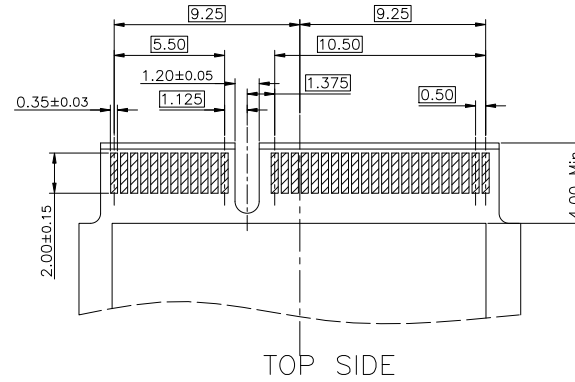
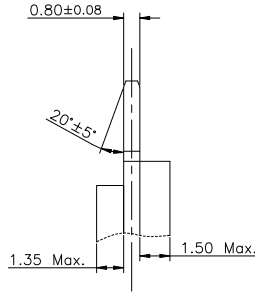
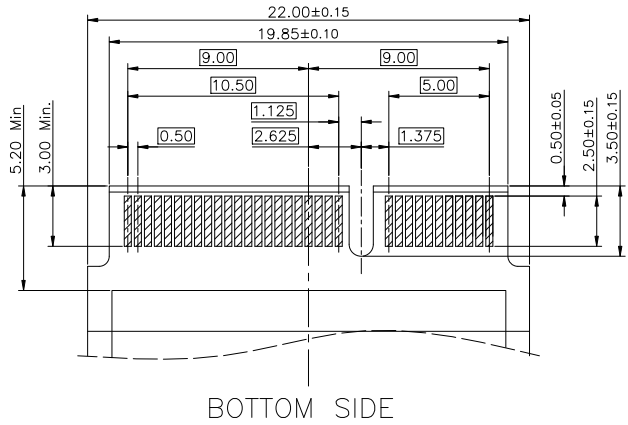
30u" Au	10128794-005RLF
15u" Au	10128794-004RLF
GOLD FLASH	10128794-001RLF
CONTACT AREA	FCI P/N

mat'l. code		surface	tolerance	projection	product family
ltr ecn no dr date		tolerances unless otherwise specified		mm	title M.2 CONNECTOR 4.2H_STD_KEY E
A	BF	2013-04-18	.X ±0.3	mm	
B	ELX-T-19318	TAI	2014-11-10	scale	
C	ELX-T-20858	TAI	2015-05-11	X*±2"	.XXX ±0.05
		dr	BEER FU	2013-05-02	dwg no 10128794 sheet 1 of 3 size A4 type Customer Drawing
		enr	BEER FU	2013-05-02	
		chr	BEER FU	2013-05-02	
		appd	BEER FU	2013-05-02	
sheet index	revision sheet	C	C	C	
		1	2	3	

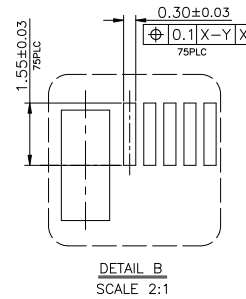
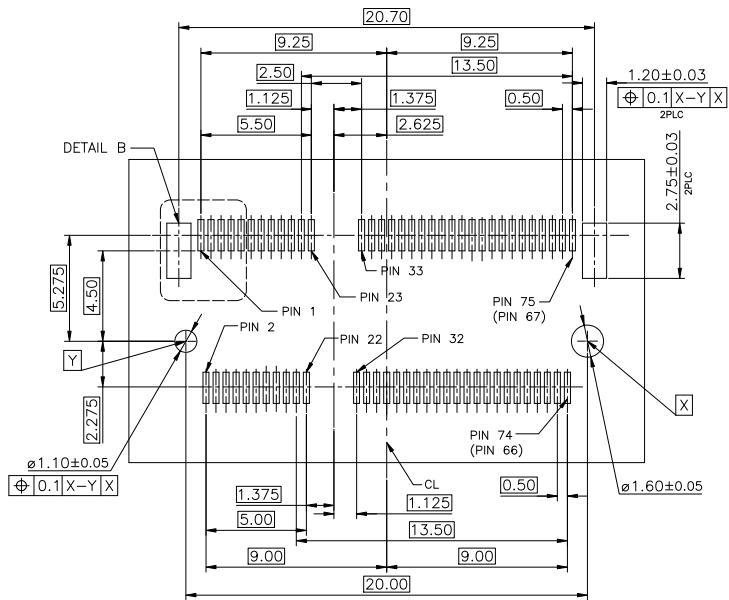
HF
Halogen Free



PLUG PCB



RECOMMENDED PCB LAYOUT



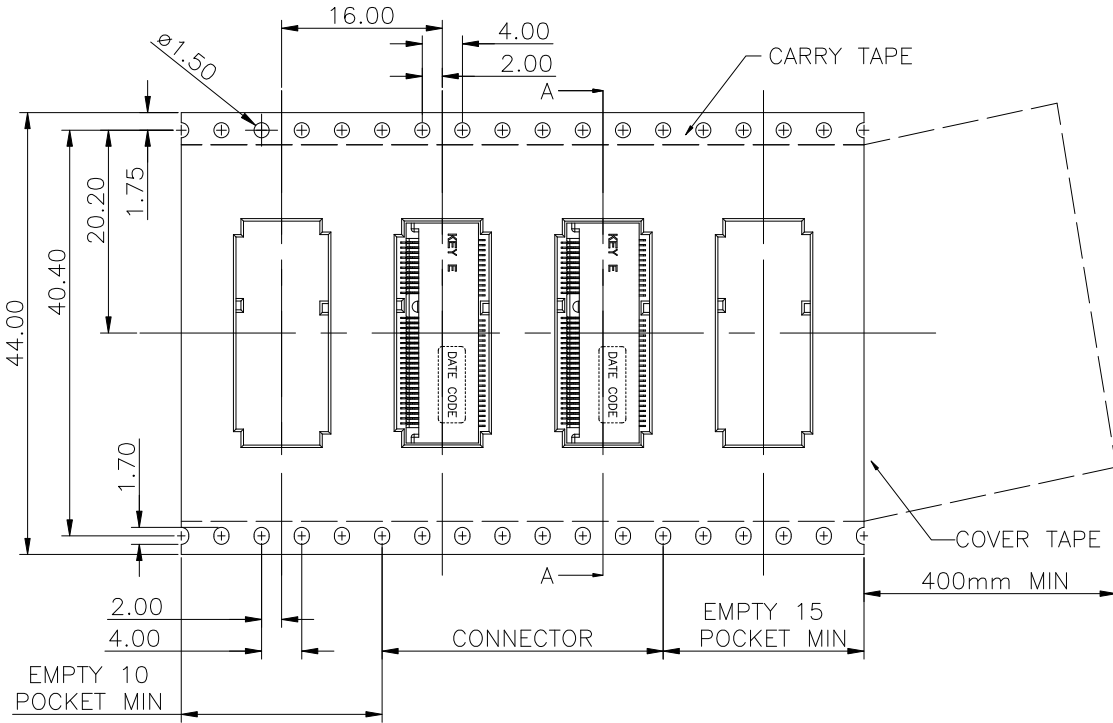
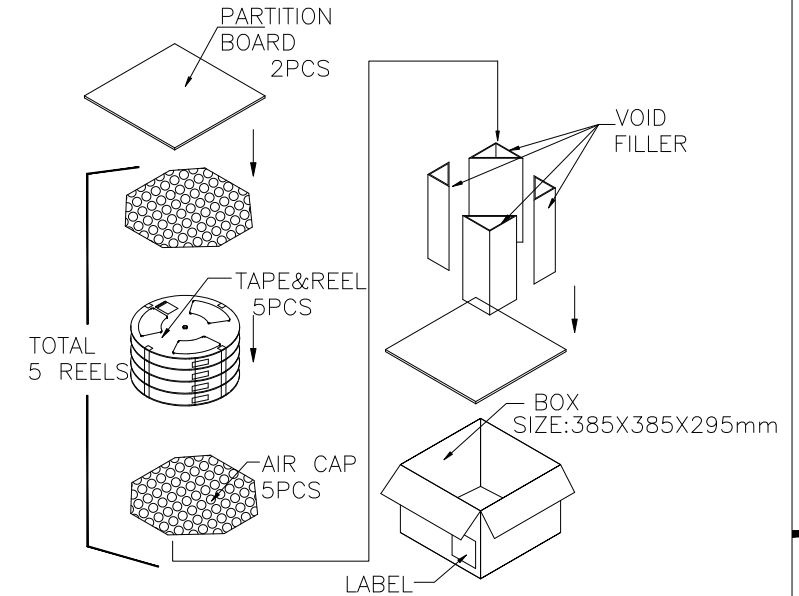
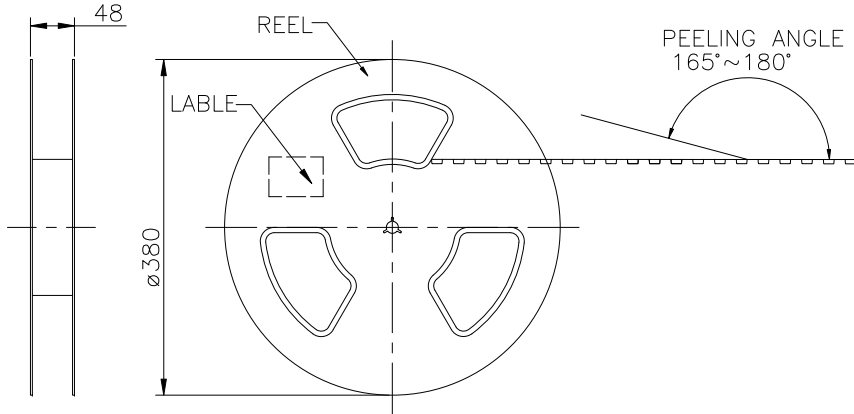
	dwg no	sheet 2 of 3	size
		10128794	A4
	type	Customer Drawing	

sheet index	revision sheet	C 1	C 2	C 3																
-------------	----------------	-----	-----	-----	--	--	--	--	--	--	--	--	--	--	--	--	--	--	--	--

HF
Halogen Free



FEEDING DIRECTION →



1100	5	5500	10.33Kg	5.53Kg
PCS/TAPE	REELS/BOX	PCS/BOX	GROSS WEIGHT	NET WEIGHT



dwg no	sheet 3 of 3	size
10128794		A4
type	Customer Drawing	

sheet index	revision sheet	C	C	C																
	1	2	3																	