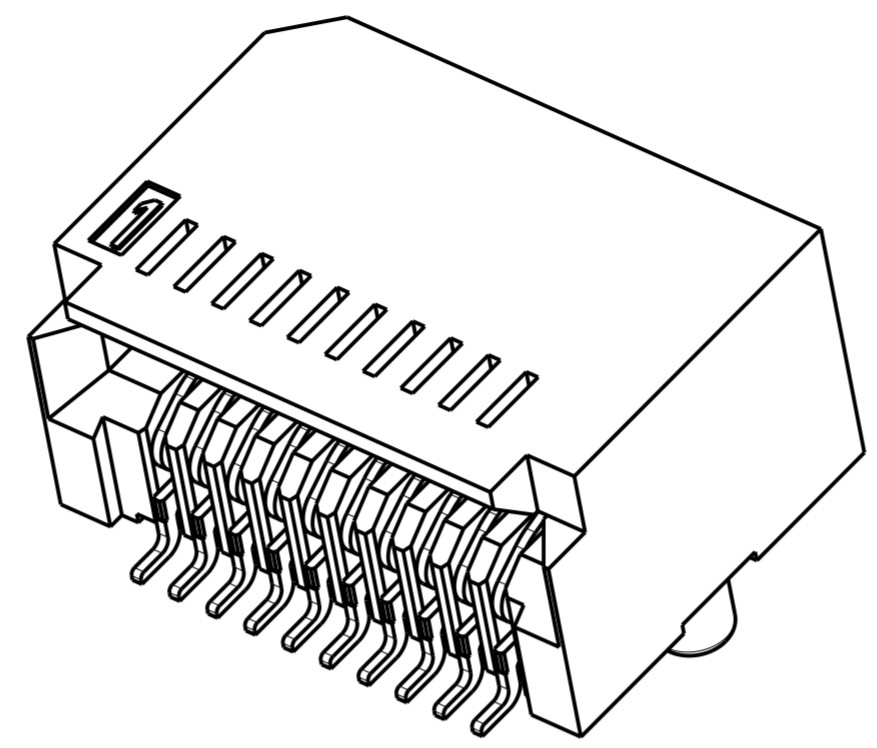
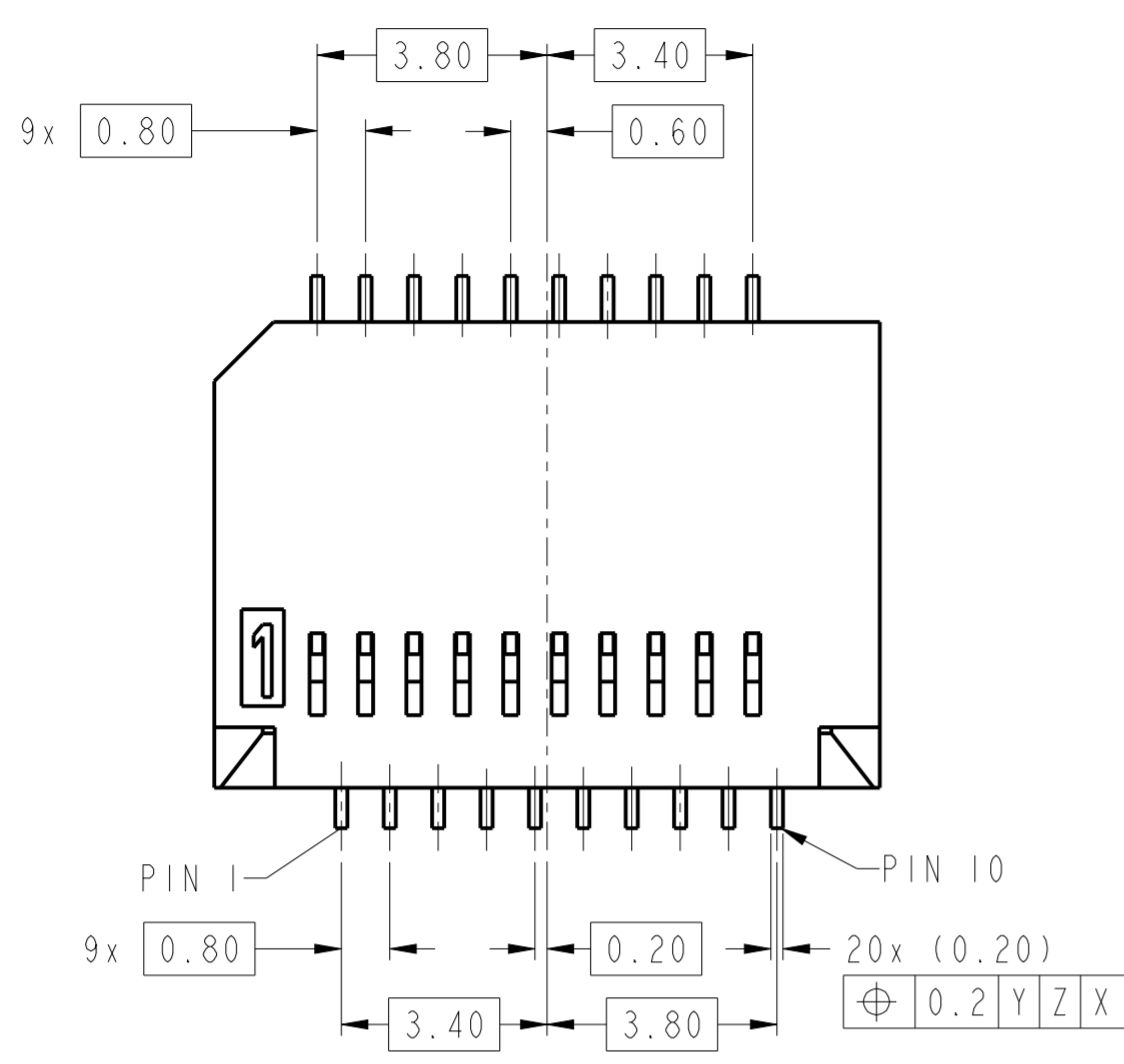


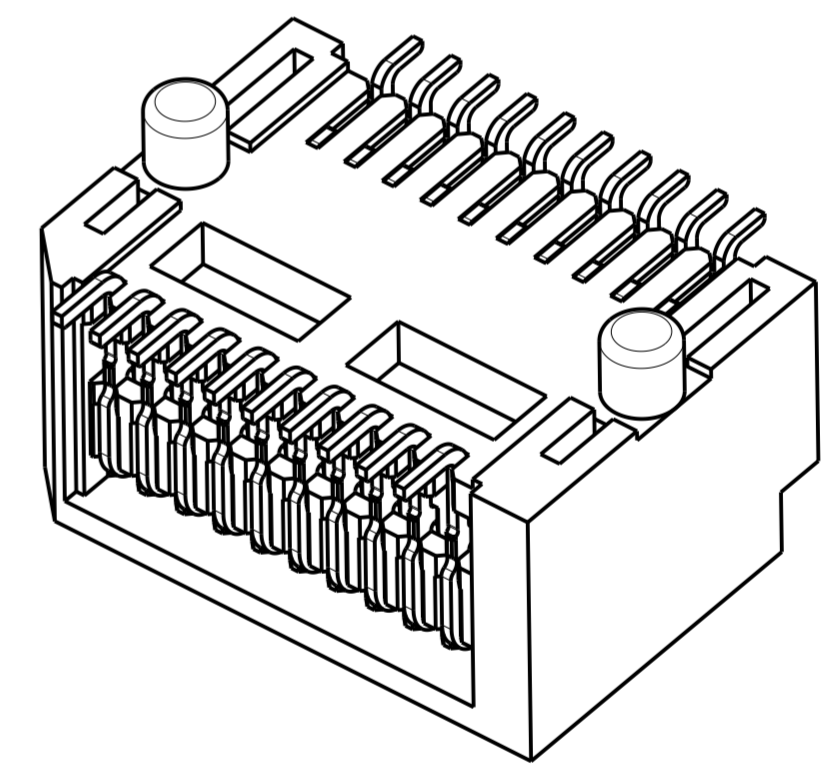
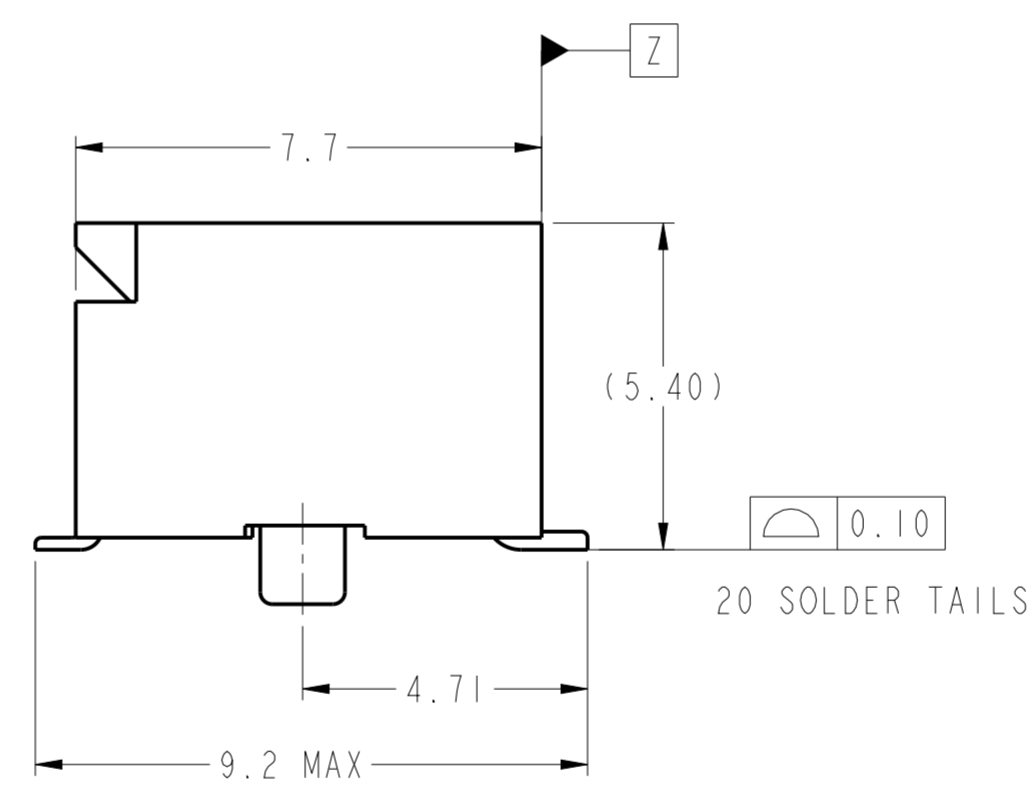
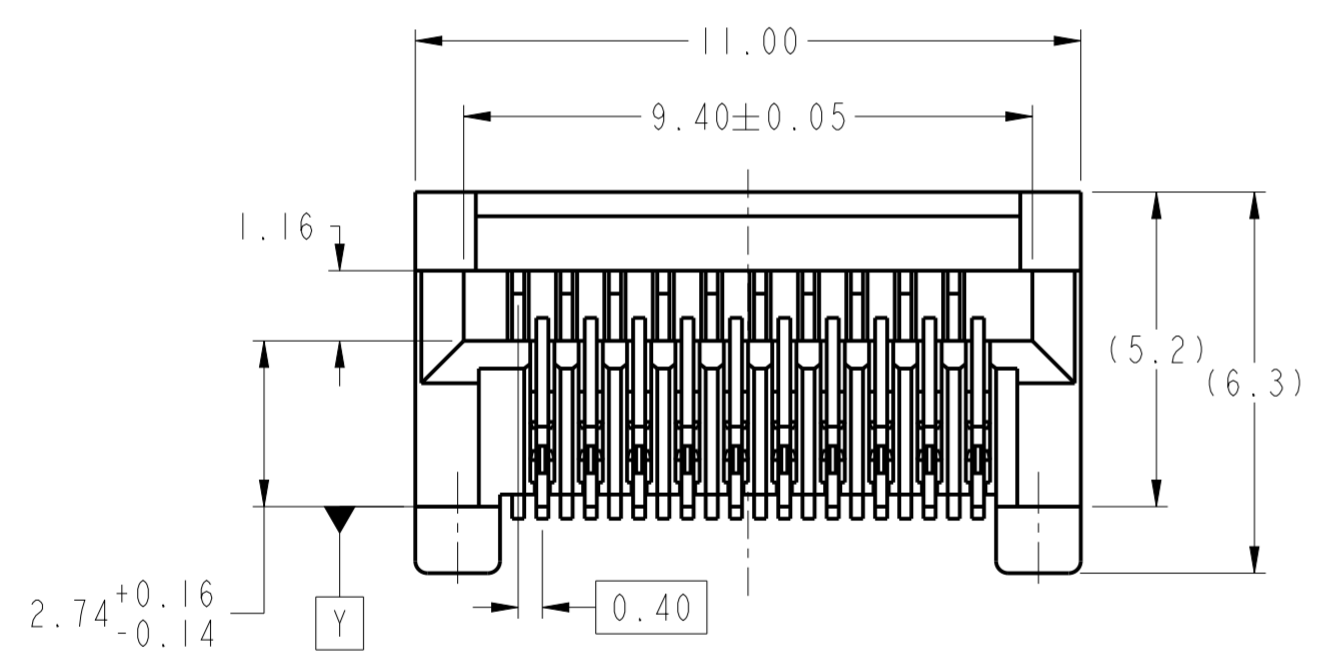
PRODUCT NUMBER	CONTACT AREA PLATING	PACKAGING
10122424-101LF	0.76µm Au	TAPE & REEL
10122424-901LF	0.38µm GXT	TAPE & REEL

NOTES:

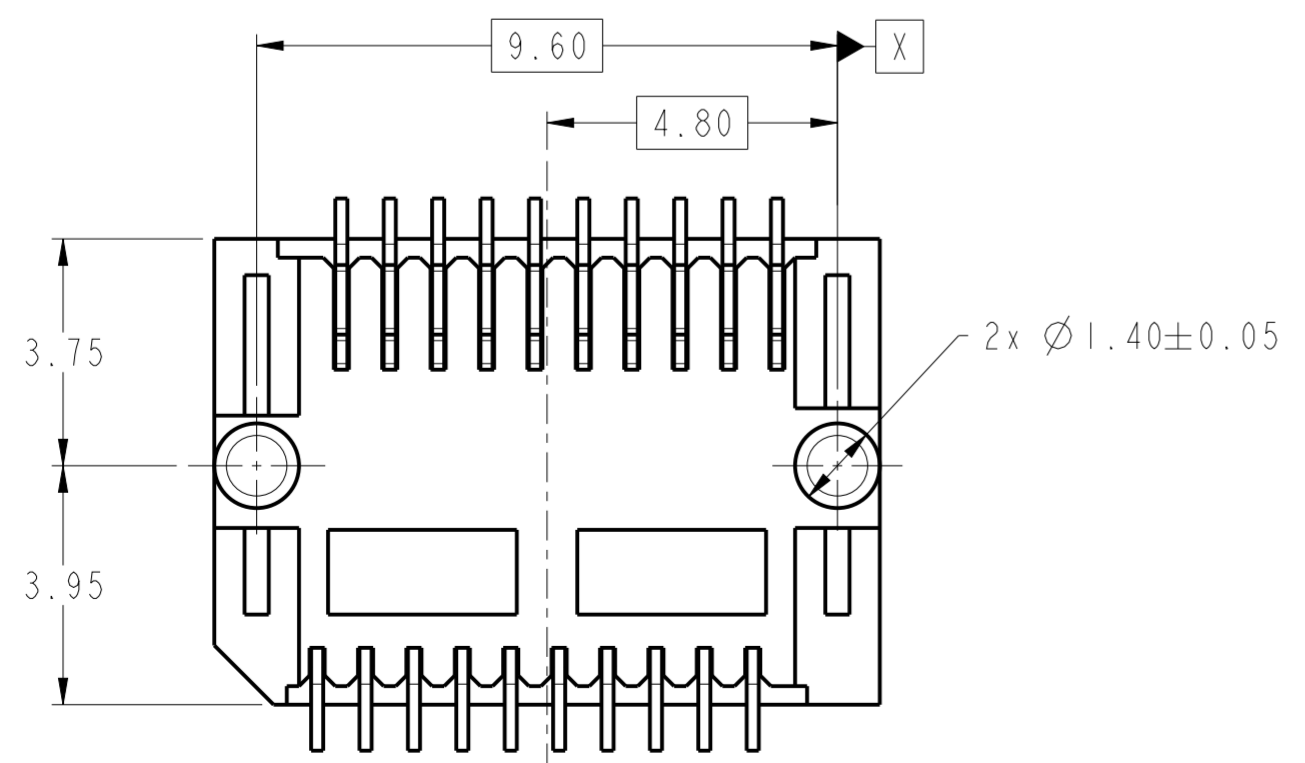
- MATERIAL:
HOUSING: HIGH PERFORMANCE RESINS, BLACK.
CONTACT: COPPER ALLOY.
- PLATING:
UNDERPLATE: 1.27µm MIN NICKEL OVER ALL
SOLDER AREA: 2.54µm MIN TIN (LEAD FREE)
MATING AREA: SEE PRODUCT NUMBER TABLE.
- DESIGNED TO CONFORM WITH SFP+ MSA SPECIFICATION.
- PRODUCT SPECIFICATION: GS-12-1141
- APPLICATION SPECIFICATION: GS-20-0385.
- PACKAGE SPECIFICATION: GS-14-2372
- PRODUCT MEETS EUROPEAN UNION DIRECTIVES AND OTHER COUNTRY REGULATIONS AS DESCRIBED IN GS-22-008.



10122424-101LF/901LF 3D VIEW
SCALE 8:1



10122424-101LF/901LF 3D VIEW
SCALE 8:1

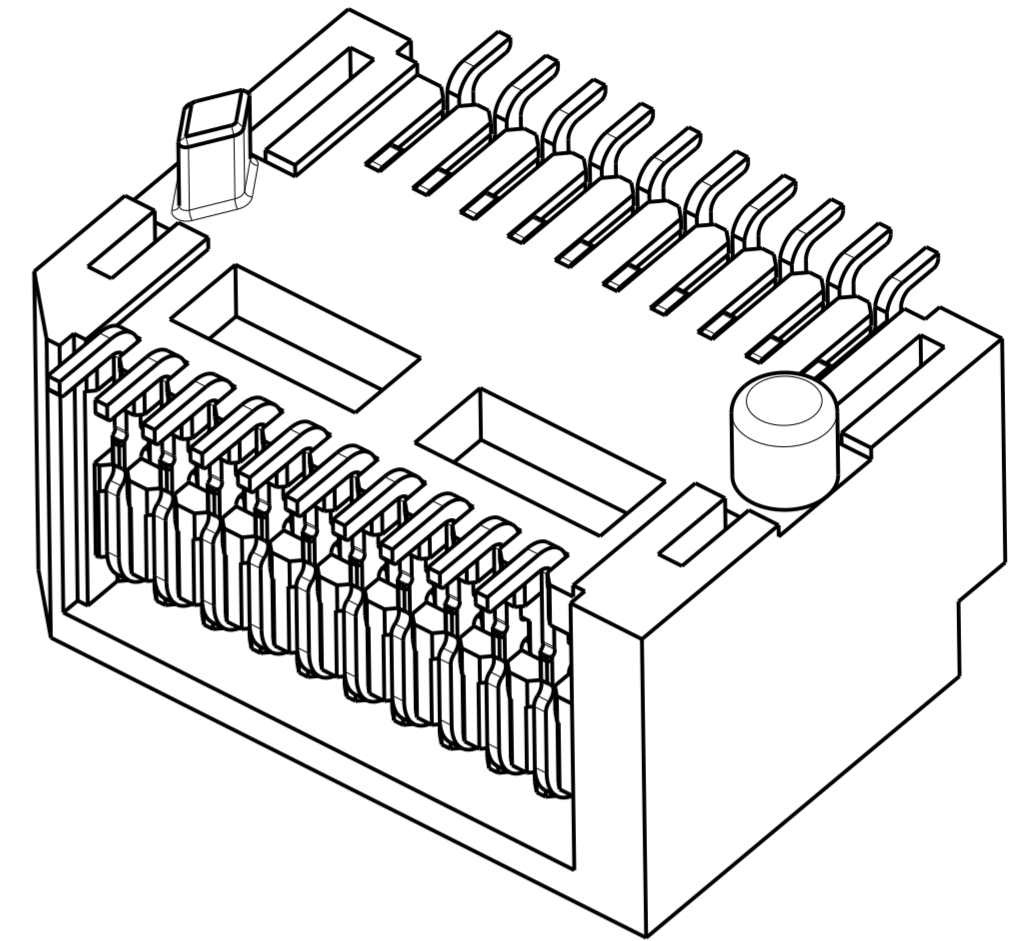
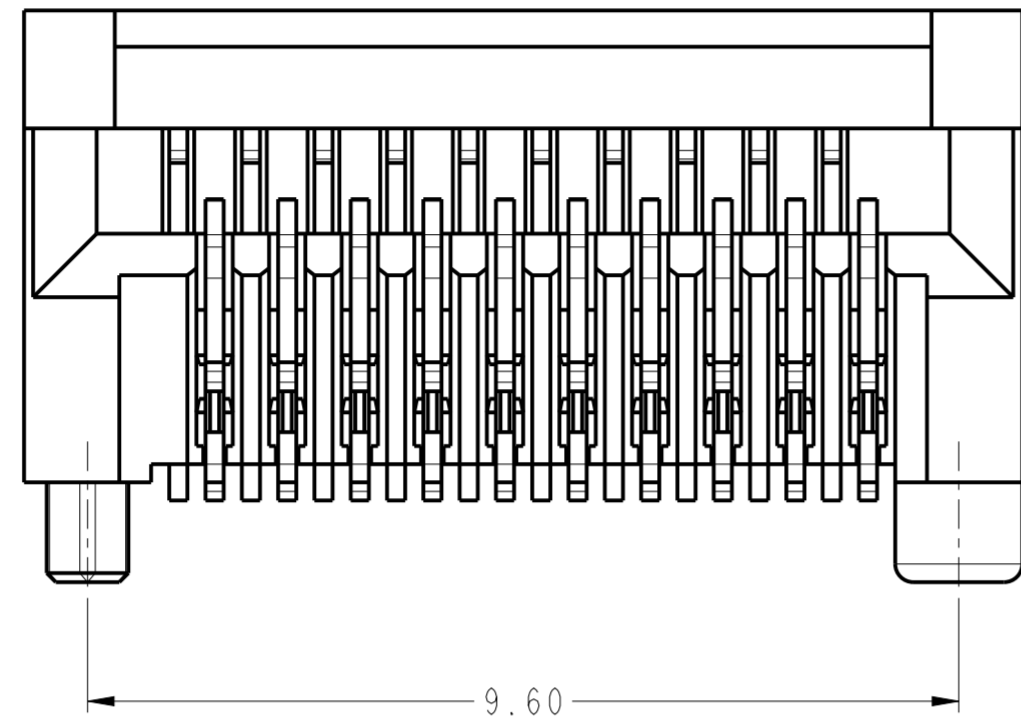


spec ref	-	dr	Zhen Luo	2013/09/30	projection	MM	size	A2	scale	1:1
tolerance std	ISO 406 ISO 1101	eng	Art Lin	2016/07/05			ecn no	ELX-DG-23846-1	rel level	Released
TOLERANCES UNLESS OTHERWISE SPECIFIED		chr	Zhen Luo	2016/07/21						
surface	ISO 1302	appr	Pei-Ming Zheng	2016/07/21	SFP+ BOARD CONNECTOR		cat. no.	10122424	rev	F
	linear	0.X	±0.25		SMT TYPE		Product - Customer Drw	sheet 1 of 3		
		0.XX	±0.15		www.fci.com					
		0.XXX	±0.05		PDS: Rev : F					
	angular	0°	±2°		STATUS: Released					
					Printed: Aug 03, 2016					

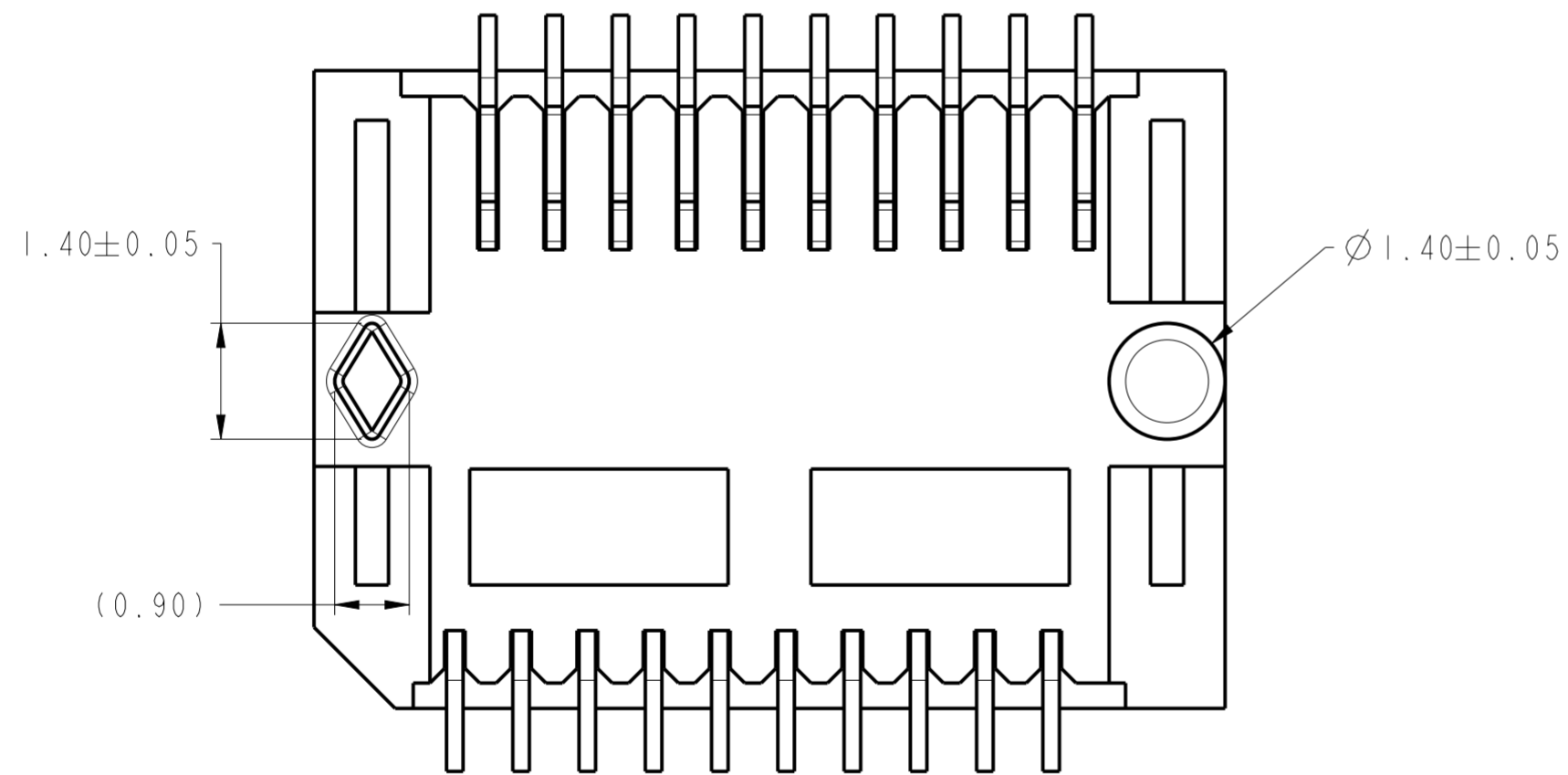
Amphenol FCI

© 2016 APCI

PRODUCT NUMBER	CONTACT AREA PLATING	PACKAGING
10122424-111LF	0.76µm Au	TAPE & REEL
10122424-911LF	0.38µm GXT	TAPE & REEL
10122424-112LF	0.76µm Au	ESD PACKING: TAPE & REEL with Custom Label on Reel



10122424-111LF/112LF/911LF 3D VIEW
SCALE 10:1

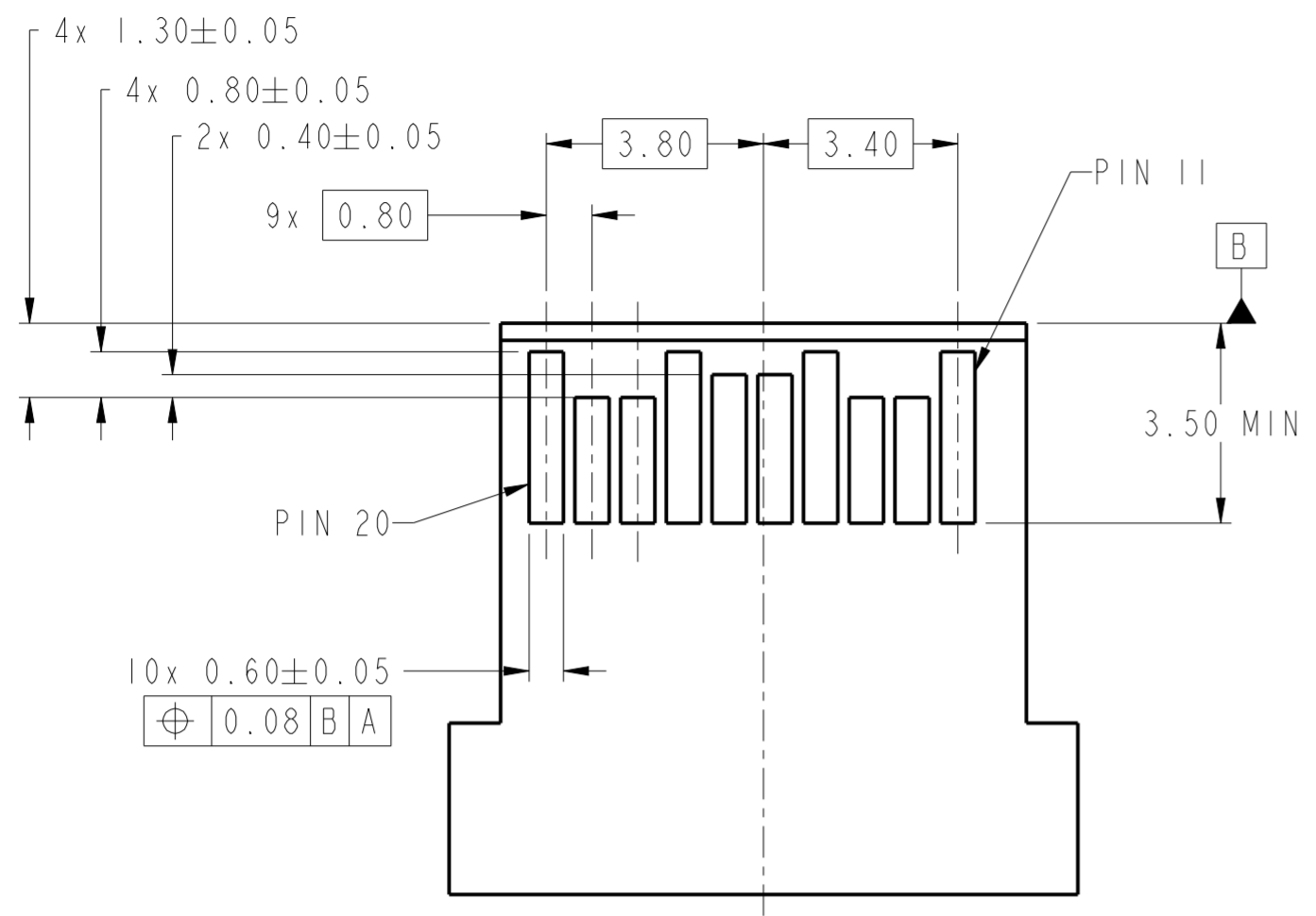


THE OTHER DIMENSIONS OF 10122424-111LF/112LF/911LF ARE SAME TO 10122424-101LF/901LF

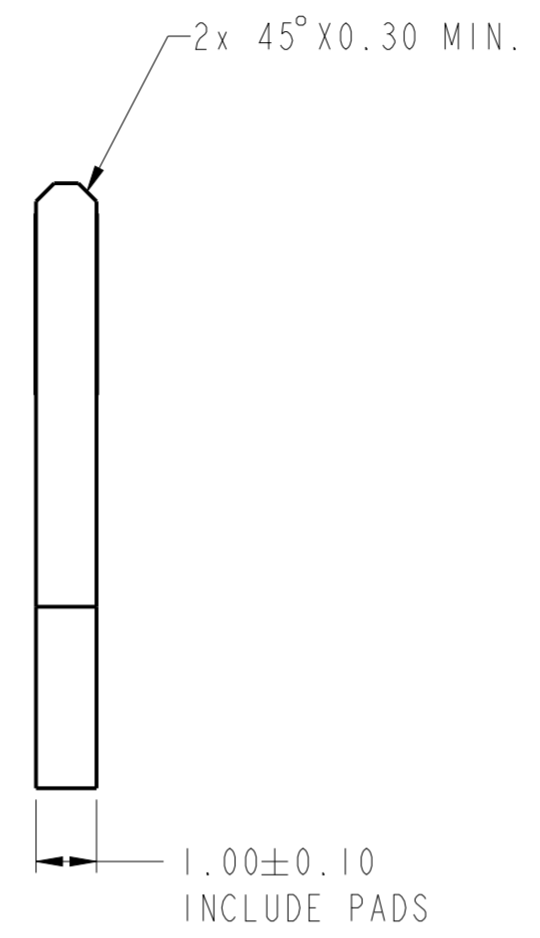
Amphenol
FCi

© 2016 AFci

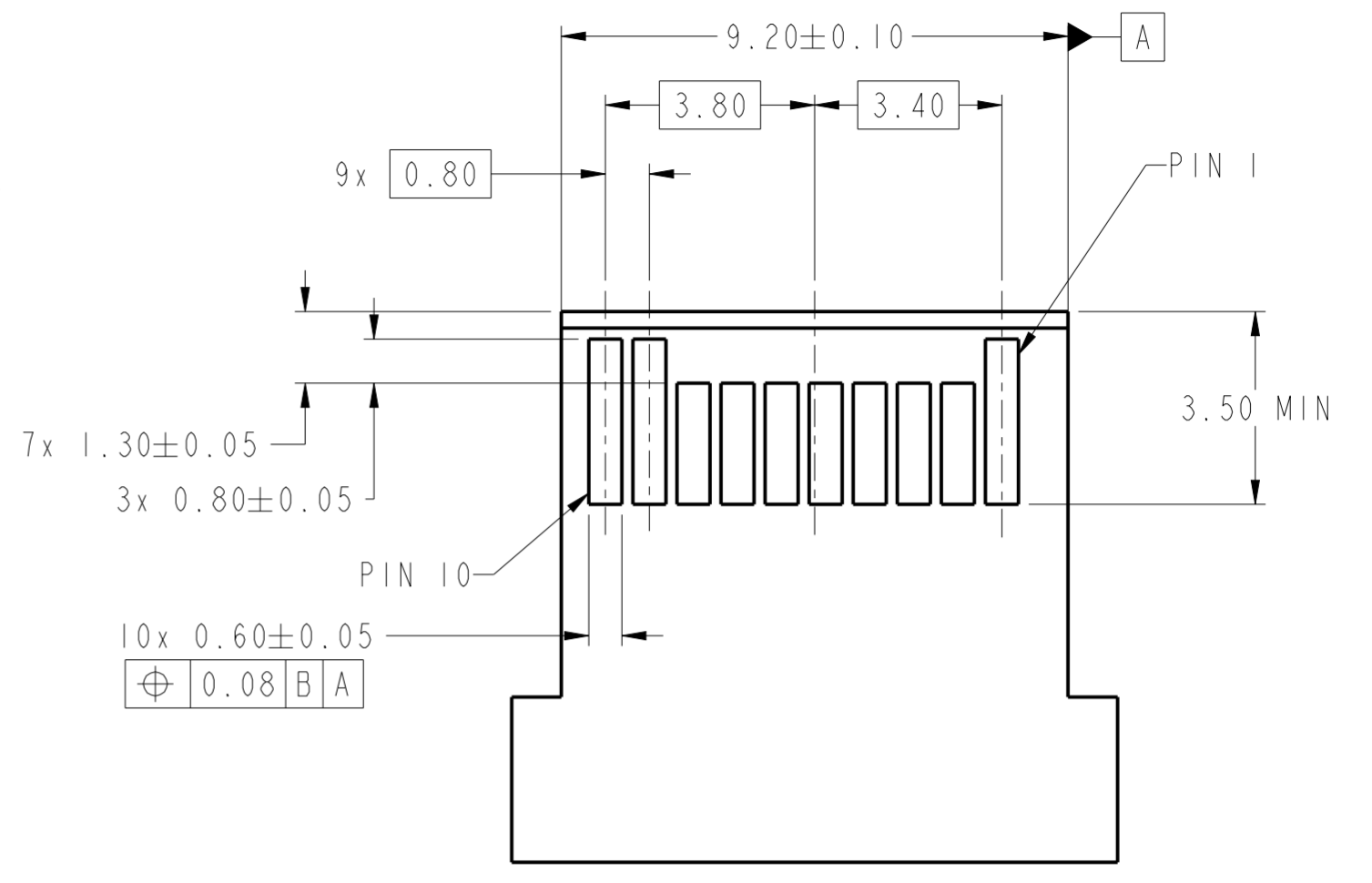
spec ref	-	dr	Zhen Luo	2013/09/30	projection	MM	size	A2	scale	8:1
tolerance std	ISO 406 ISO 1101	eng	Art Lin	2016/07/05			ecn no	ELX-DG-23846-1		
TOLERANCES UNLESS OTHERWISE SPECIFIED		chr	Zhen Luo	2016/07/21			rel level	Released		
surface	ISO 1302	appr	Pei-Ming Zheng	2016/07/21	product family					
linear	0.X ±0.25 0.XX ±0.15 0.XXX ±0.05			SFP+ BOARD CONNECTOR SMT TYPE		dwg no	10122424			
angular	0° ±2°	www.fci.com		cat. no.	Product - Customer Drw		rev	F		



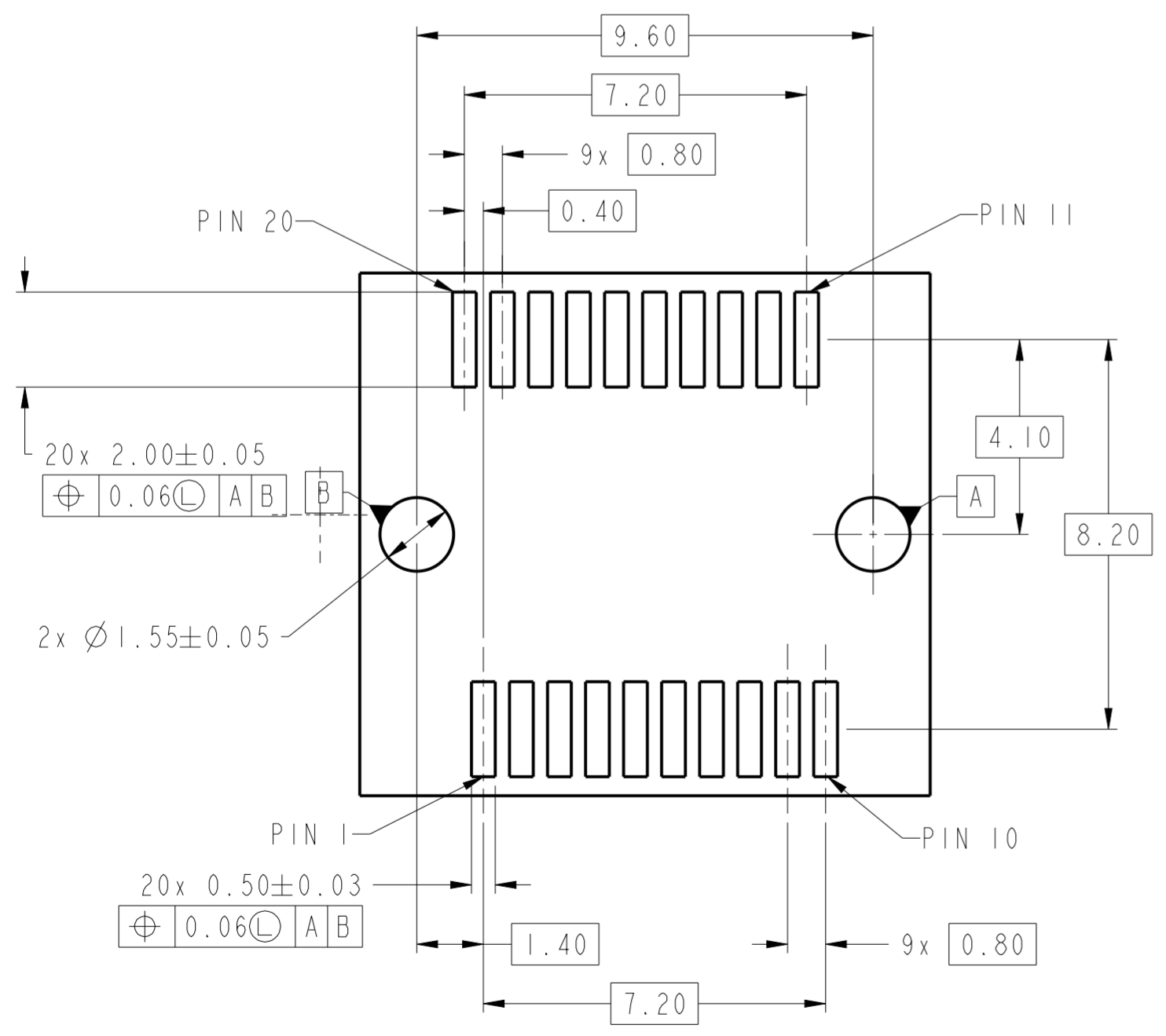
TOP VIEW OF BOARD



RECOMMENDED PCB LAYOUT
MATING PCB SIDE



BOTTOM VIEW OF BOARD



RECOMMENDED PCB LAYOUT
CONNECTOR MOUNTING SIDE

spec ref	-	dr	Zhen Luo	2013/09/30	projection	MM	size	A2	scale	8:1
tolerance std	ISO 406 ISO 1101	eng	Art Lin	2016/07/05			ecn no	ELX-DG-23846-1		
TOLERANCES UNLESS OTHERWISE SPECIFIED		chr	Zhen Luo	2016/07/21			rel level	Released		
surface	ISO 1302	appr	Pei-Ming Zheng	2016/07/21	product family	SFP+ BOARD CONNECTOR			cat. no.	10122424
linear	0.X ±0.25 0.XX ±0.15 0.XXX ±0.05	Amphenol FCI		SMT TYPE			dwg no	F		
angular	0° ±2°	www.fci.com		Product - Customer Drw			sheet 3 of 3			

Amphenol FCI

© 2016 APCI