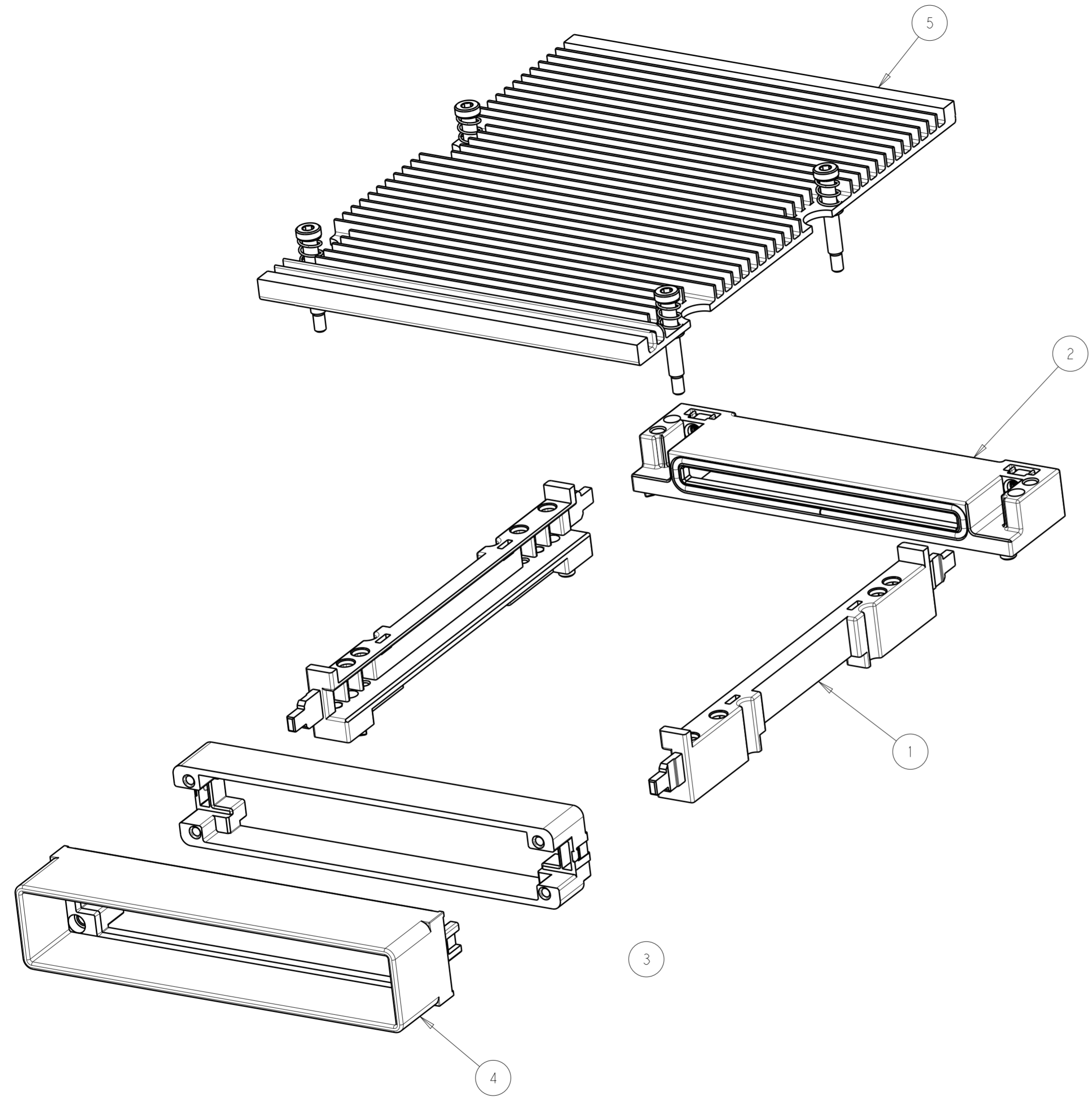


THIS DRAWING IS UNPUBLISHED. RELEASED FOR PUBLICATION 20
 © COPYRIGHT 20 BY - ALL RIGHTS RESERVED.

| REVISIONS | | | | | |
|-----------|-----|---------------------------|-----------|-----|------|
| P | LTR | DESCRIPTION | DATE | DWN | APVD |
| | A | RELEASED | 18SEP2013 | CJV | MRS |
| | A1 | REVISED PER ECO-19-001697 | 18FEB2019 | IT | SH |



1.BULK PACKED

| | | | | |
|----|----|-------------|---------------------------|---------|
| 1 | - | 2274283-3 | HEATSINK ASSEMBLY | 5 |
| - | 1 | 2274283-1 | | |
| 1 | 1 | 2057626-1 | EXTERNAL BRACKET ASSEMBLY | 4 |
| 1 | 1 | 2057930-1 | BACKER PLATE ASSEMBLY | 3 |
| 1 | 1 | 2057631-1 | CONNECTOR COVER ASSEMBLY | 2 |
| 2 | 2 | 2057592-2 | GUIDE RAIL | 1 |
| -2 | -1 | PART NUMBER | DESCRIPTION | ITEM NO |

| | | | | |
|--|--|----------------------------------|---|-----------------|
| THIS DRAWING IS A CONTROLLED DOCUMENT. | | DWN C. VALENTINE 18SEP2013 | TE Connectivity | |
| DIMENSIONS: mm | | CHK M. SCHMITT 18SEP2013 | | |
| TOLERANCES UNLESS OTHERWISE SPECIFIED: | | APVD M. SCHMITT 18SEP2013 | NAME CFP HARDWARE KIT W/ HEATSINK, SIDE TO SIDE AIRFLOW | |
| 0 PLC ±- 1 PLC ±0.5 2 PLC ±0.13 3 PLC ±0.013 4 PLC ±0.0001 ANGLES ±- FINISH ±- | | PRODUCT SPEC 108-2399 | RESTRICTED TO | |
| MATERIAL | | APPLICATION SPEC 114-13263 | SIZE A2 | CAGE CODE - |
| | | WEIGHT - | DRAWING NO G-2274284 | |
| | | Customer Drawing | SCALE 3:2 | SHEET 1 OF 1 |
| | | | REV A1 | |