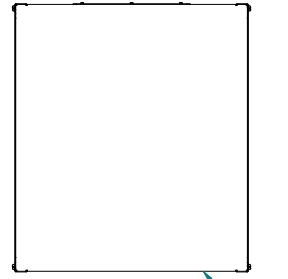
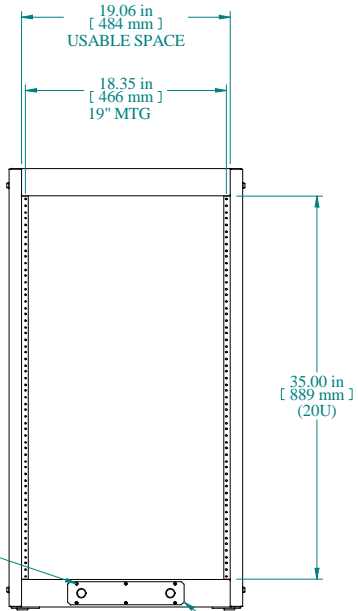
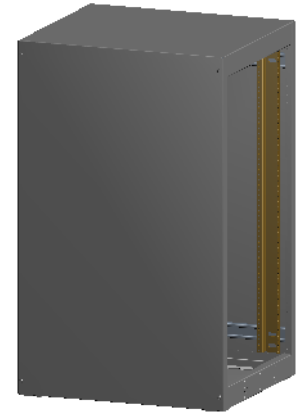


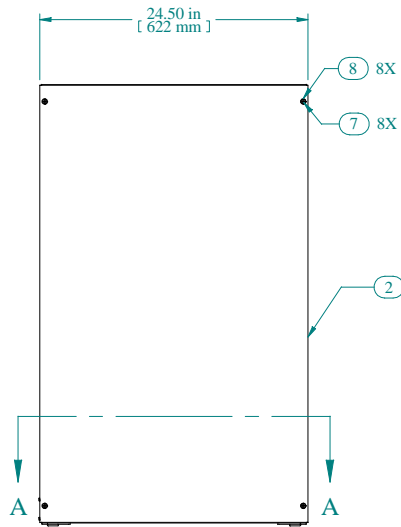
SECTION A-A



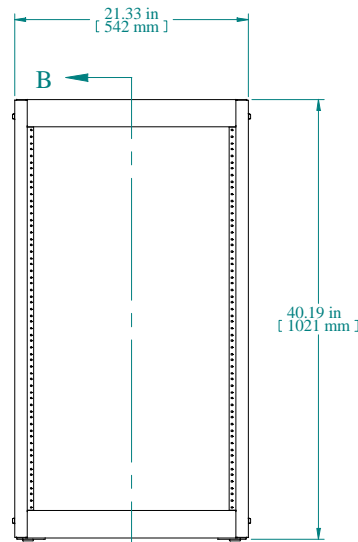
TOP VIEW



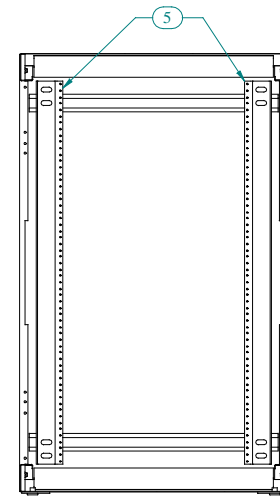
REAR VIEW



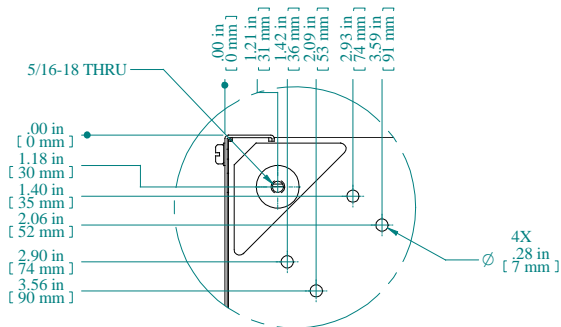
L.S. VIEW



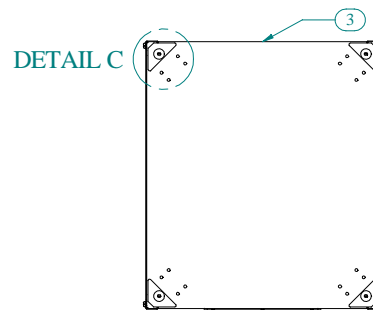
FRONT VIEW



SECTION B-B



DETAIL C



BOTTOM VIEW

| Item Number | Title | Quantity |
|-------------|---------------------------------|----------|
| 1 | REFK - TOP PANEL | 1 |
| 2 | REFK - SIDE PANEL | 2 |
| 3 | REFK - BOTTOM PANEL | 1 |
| 4 | REFK - GLAND PLATE | 1 |
| 5 | COMBINATION RAILS TAPPED (PAIR) | 2 |
| 6 | NUT 1/4-20 KEP | 8 |
| 7 | SCREW 1/4-20 X 1/2 | 8 |
| 8 | FLAT NYLON WASHER 1/4" ID. | 8 |
| 9 | SCREW 6-32X1/4 SELF TAPPING | 6 |

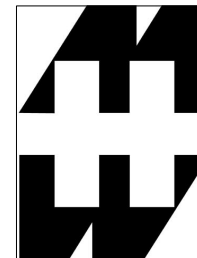
PART NUMBERS

| | |
|----------------|-----------------------------|
| REFK1903524BK1 | PAINTED BLACK TEXTURED |
| REFK1903524CG1 | PAINTED CONT. GRAY TEXTURED |
| REFK1903524LG1 | PAINTED RAL7035 TEXTURED |

NOTES

Shipped knockdown for handling ease & protection.

Data subject to change without notice. Isometric drawing not to scale.



**HAMMOND
MANUFACTURING™**

www.hammondmfg.com

PART NO. REFK1903524