



## PROFIBUS T-Connectors / Taps

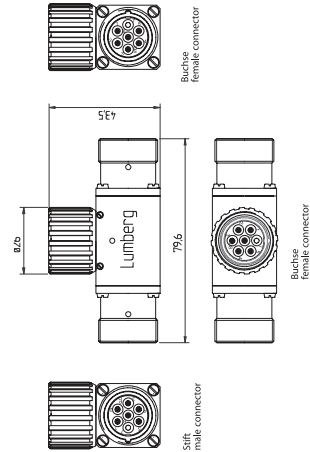
0906 UTP 201



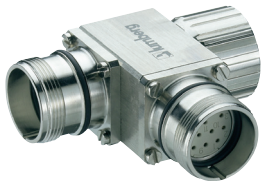
### M23 Male/Female

T-connector for power supply with M23 male/female connector, 6 poles.

– also suitable for Interbus modules –



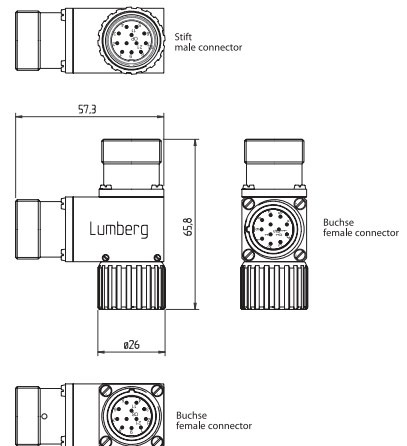
0906 UTP 202



### M23 Male/Female

T-connector with M23 male/female connector, 12 poles.

– especially suitable for Profibus modules with M23 bus connection for separate feeding of power supply (system/sensor system) and Profibus signals –



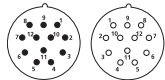
## Pin Assignment

M23 - 6 Poles

M23 - 12 Poles



- 1 = Earth
- 2 = +24 V (1)
- 3 = GND (0 V) (1)
- 4 = +24 V (2)
- 5 = GND (0 V) (2)
- 6 = n.c.



- 1 = n.c.
- 2 = Signal A
- 3 = n.c.
- 4 = Signal B
- 5 = n.c.
- 6 = n.c.
- 7 = +24 V
- 8 = GND (0 V)
- 9 = Erde / earth
- 10 = n.c.
- 11 = n.c.
- 12 = n.c.



Be Certain with Belden

**PROFIBUS T-Connectors / Taps**

0906 UTP 201 | 0906 UTP 202

**Technical Data**

**Environmental**



Degree of protection IP 67 / NEMA 6P  
 Operating temperature range -40°C (-40°F) / +125°C (+257°F)

**Mechanical**

Housing Copper-Zinc alloy (CuZn), die casting part of Zinc (GD-Zn)  
 Housing surface nickel-plated

**Electrical**

Nominal current UTP 201: 20 A  
 UTP 202: 8 A  
 Nominal voltage 50 V DC  
 Pollution degree 3

Part Number	Pins	Characteristics
0906 UTP 201	6	  
0906 UTP 202	12	