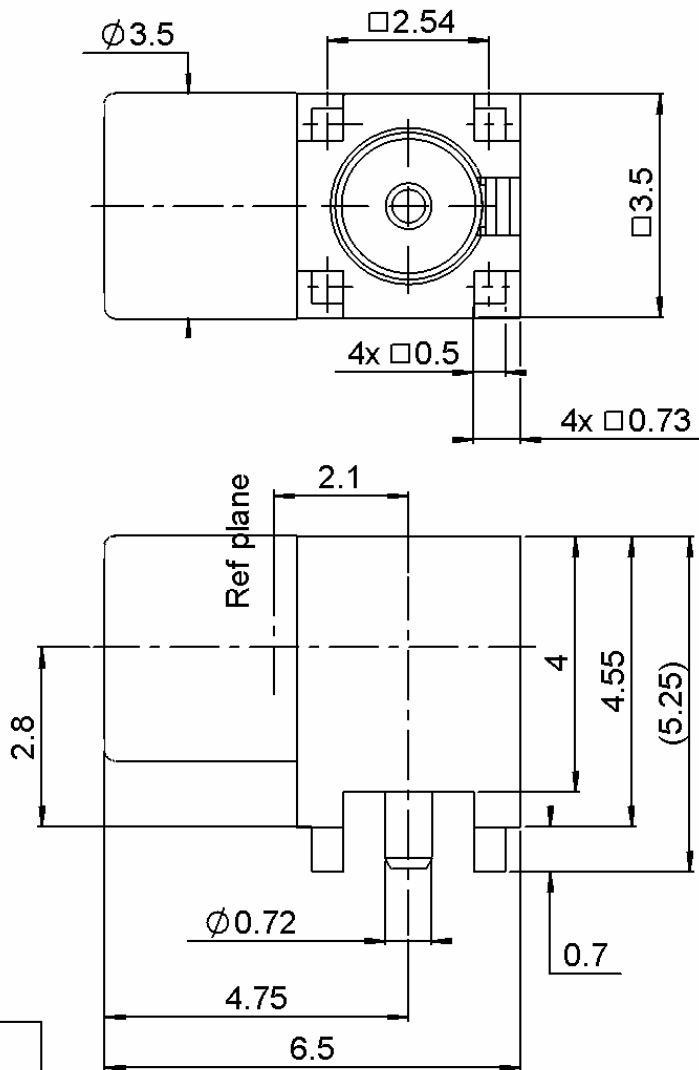


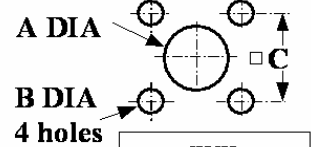
RIGHT ANGLE FEMALE RECEPTACLE FOR PCB
SOLDER LEGS - REEL OF 500

R110.665.860

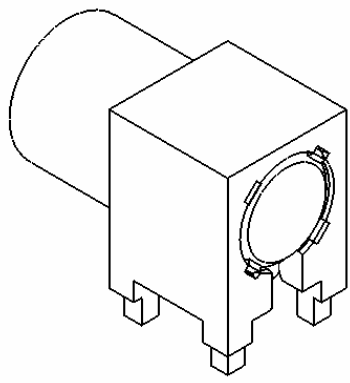
Series : MMCX

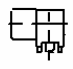


PANEL CUT OUT



mm		
	Maxi	mini
A	1.05	0.95
B	0.9	0.8
C	2.56	2.52




 Scale : 1/1

All dimensions are in mm.

COMPONENTS	MATERIALS	PLATING (µm)
BODY	BRASS	GOLD 0.2 OVER NICKEL 2
CENTER CONTACT	BERYLLIUM COPPER	GOLD 1.3 OVER NICKEL 2
OUTER CONTACT		-
INSULATOR	PTFE	
GASKET		
OTHERS PARTS	BRASS	BBR 2
-	-	-
-	-	-

Issue : 0720 C

In the effort to improve our products, we reserve the right to make changes judged to be necessary.



RIGHT ANGLE FEMALE RECEPTACLE FOR PCB

R110.665.860

SOLDER LEGS - REEL OF 500

Series : MMCX

PACKAGING

SPECIFICATION

Standard	Unit	Other
500	'W' option	Contact us

ELECTRICAL CHARACTERISTICS

ENVIRONMENTAL

Impedance		50 Ω
Frequency		0-6 GHz
VSWR	NA + 0.0000	x F(GHz) Maxi
Insertion loss		NA √F(GHz) dB Maxi
RF leakage	- (NA	- F(GHz)) dB Maxi
Voltage rating		250 Veff Maxi
Dielectric withstanding voltage		500 Veff mini
Insulation resistance		1000 MΩ mini

Operating temperature	-55/+155 ° C
Hermetic seal	NA Atm.cm3/s
Panel leakage	NA

OTHER CHARACTERISTICS

Assembly instruction **NA**

Others :

MECHANICAL CHARACTERISTICS

Center contact retention	
Axial force – Mating end	10 N mini
Axial force – Opposite end	10 N mini
Torque	NA N.cm mini
Recommended torque	
Mating	NA N.cm
Panel nut	NA N.cm
Mating life	500 Cycles mini
Weight	0.4280 g

Issue : 0720 C

In the effort to improve our products, we reserve the right to make changes judged to be necessary.

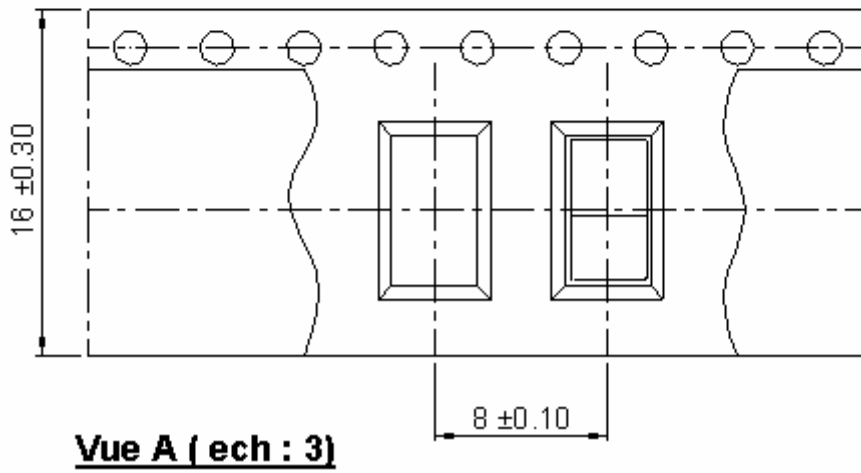
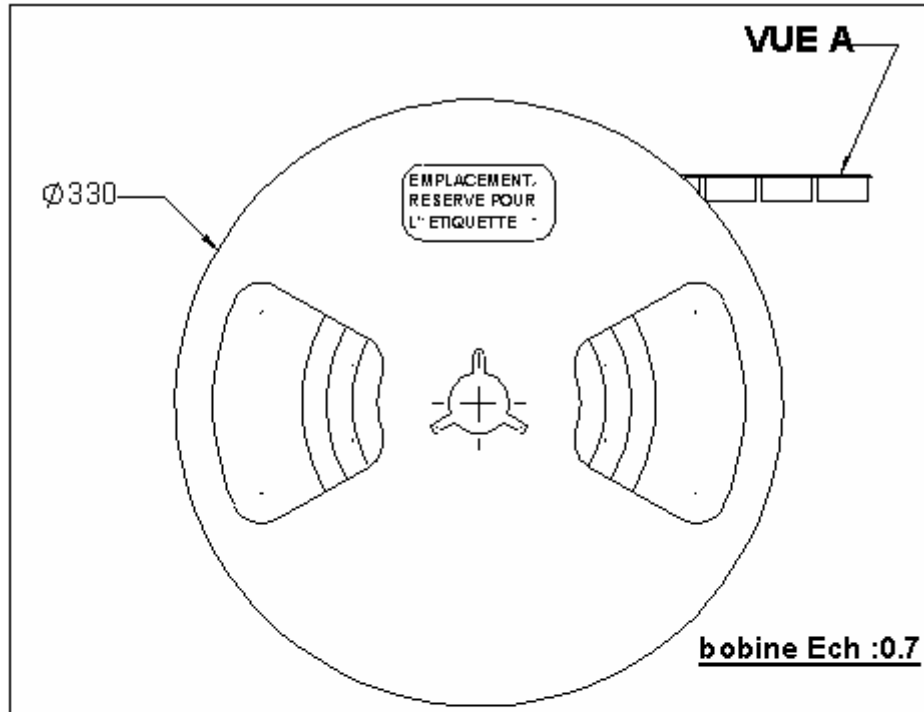


RIGHT ANGLE FEMALE RECEPTACLE FOR PCB

R110.665.860

SOLDER LEGS - REEL OF 500

Series : MMCX



Issue : 0720 C

In the effort to improve our products, we reserve the right to make changes judged to be necessary.



RADIALL®