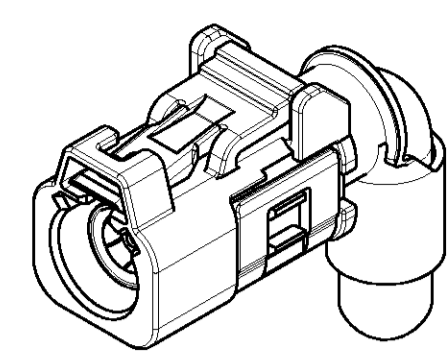
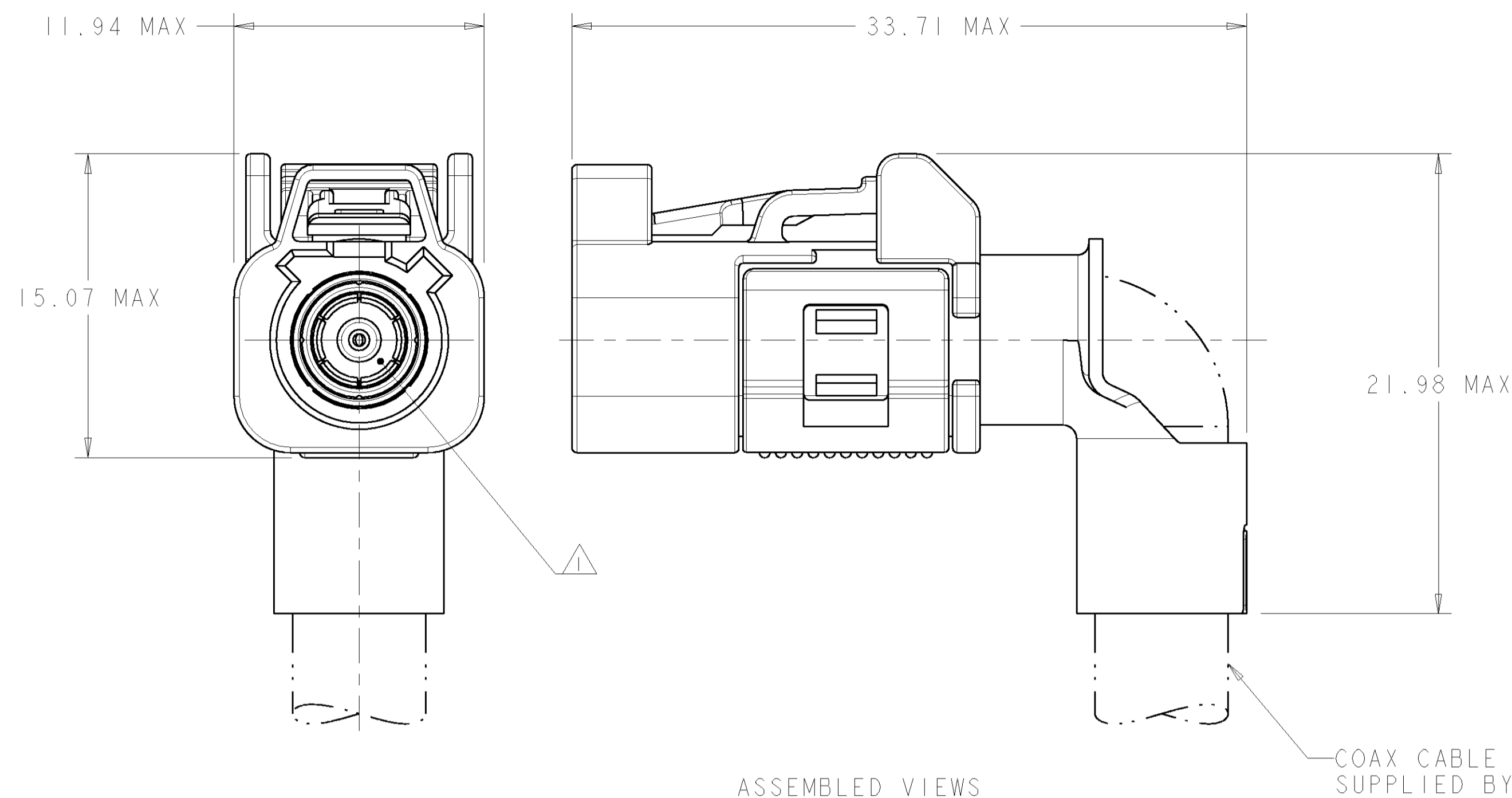
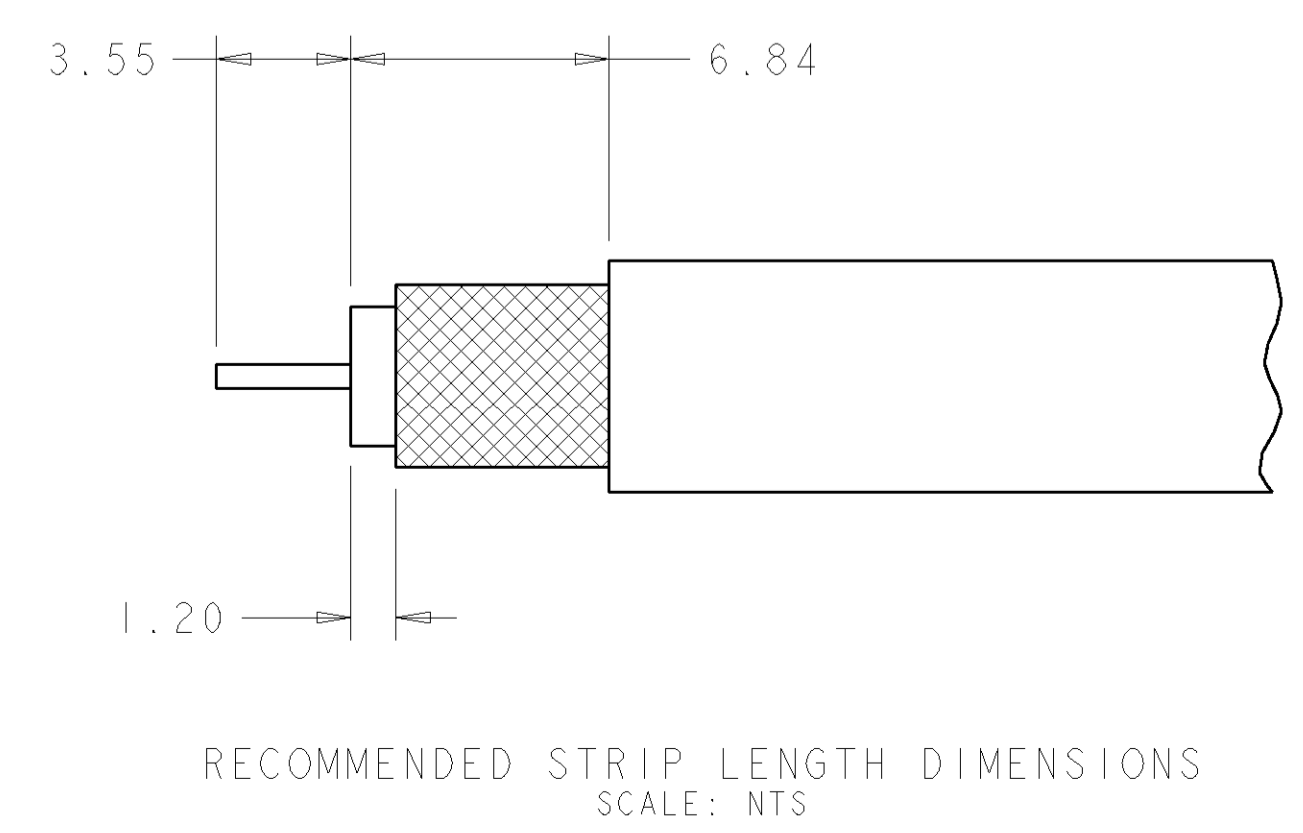
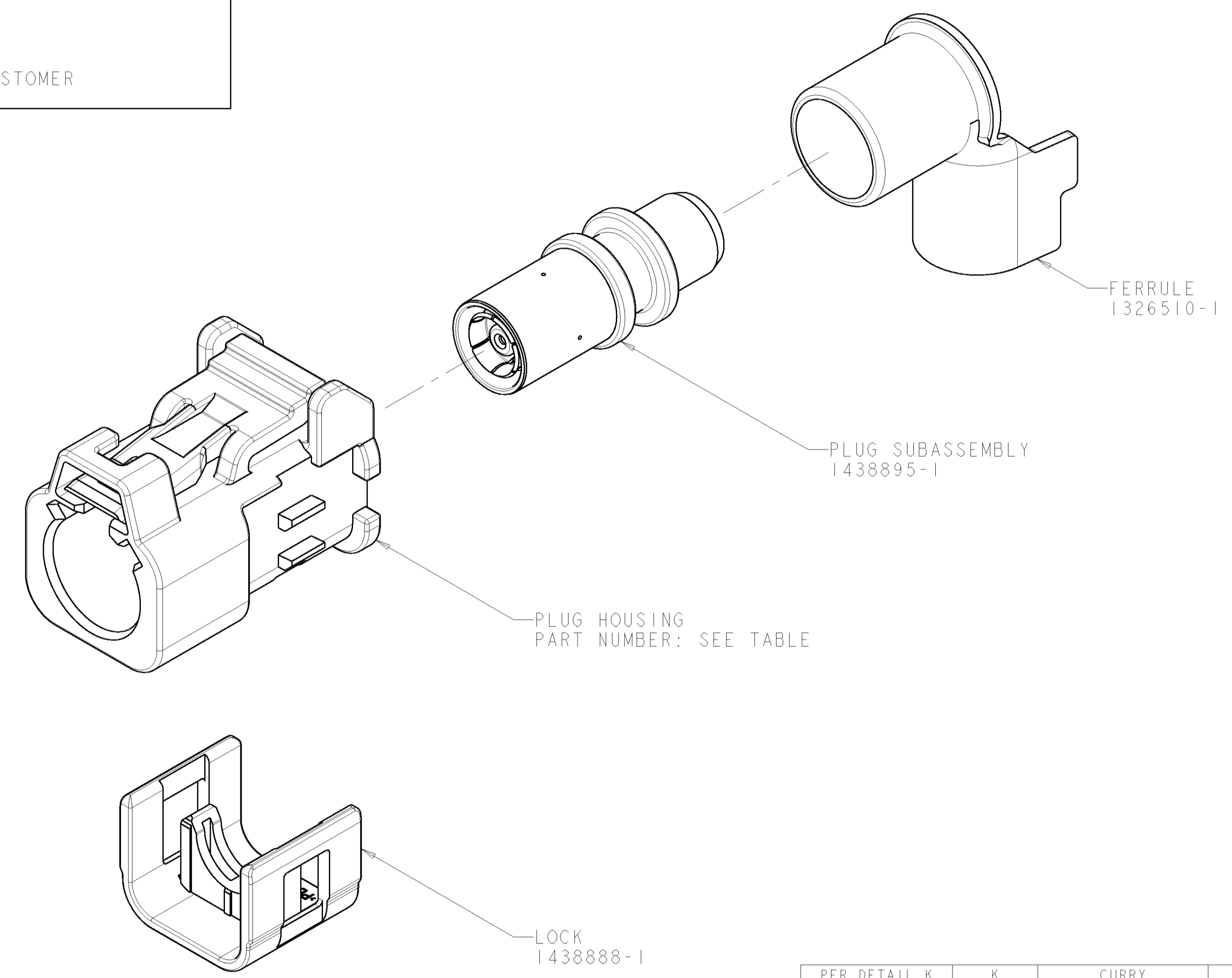


LOC	DIST	REVISIONS					
		P	LTR	DESCRIPTION	DATE	DWN	APVD
IN	00	A		RELEASED PER ECO-05-6684	29AUG2005	DJH	JMR
		B		REVISED PER ECO-05-15405	05DEC2005	DJH	JMR
		C		REVISED PER ECO-06-2101	13MAR2006	DJH	JMR



ISOMETRIC VIEW
SCALE 2:1

- ⚠ PLUG ACCEPTS JACKS MEETING DIN 72594-1, ROAD VEHICLES - RADIO FREQUENCY INTERFACE - DIMENSIONS AND ELECTRICAL REQUIREMENTS.
2. PLUG SUBASSEMBLY WILL ACCEPT RG-62 COAXIAL CABLE.
 3. SEE INSTRUCTION SHEET 408-10028.
 4. SPACER 1274233-2 MUST BE PURCHASED SEPERATELY.
 5. SOCKET CONTACT 1438896-4 MUST BE PURCHASED SEPERATELY.

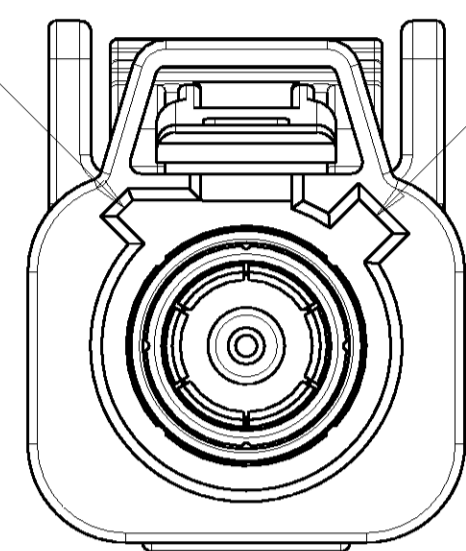


PER DETAIL	KEY	KEYING	HOUSING COLOR	PLUG HOUSING PART NUMBER	PART NUMBER
PER DETAIL K	K	CURRY		1-1438893-0	1-1438904-0
PER DETAIL H	H	HEATHER VIOLET		1438893-8	1438904-8
PER DETAIL D	D	CLARET VIOLET		1438893-4	1438904-4
PER DETAIL C	C	SIGNAL BLUE		1438893-3	1438904-3
PER DETAIL B	B	SIGNAL WHITE		1438893-2	1438904-2
PER DETAIL A	A	JET BLACK		1438893-1	1438904-1

DIMENSIONS: mm TOLERANCES UNLESS OTHERWISE SPECIFIED: 0 PLC ± 1 PLC ±0.25 2 PLC ± 3 PLC ± 4 PLC ± ANGLES ± FINISH		DWN: D. J. HARDY 05JAN2005 CHK: J. W. HALL 17JAN2005 APVD: J. W. HALL 17JAN2005	Tyco Electronics Harrisburg, PA 17105-3608
MATERIAL: - FINISH: -		NAME: PLUG KIT, UNASSEMBLED, 1 POSITION, RG-62, 90 DEGREE, FAKRA, SMB PRODUCT SPEC: - APPLICATION SPEC: 114-13157 WEIGHT: - CUSTOMER DRAWING	SIZE: A1 CAGE CODE: 00779 DRAWING NO: 1438904 RESTRICTED TO: - SCALE: 5:1 SHEET 1 OF 2 REV C

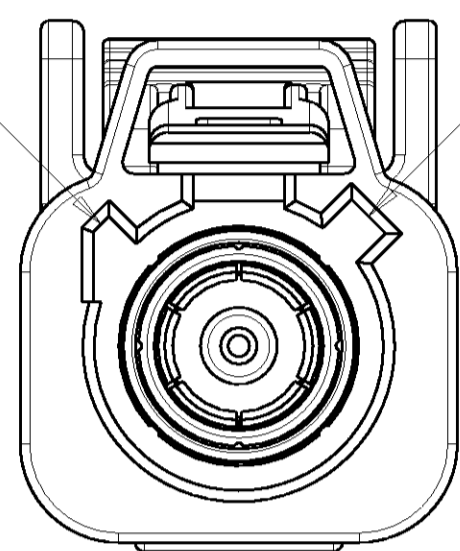
LOC		DIST		REVISIONS			
P	LTR	DESCRIPTION	DATE	DNW	APVD		
-	-	SEE SHEET 1	-	-	-		

CODING RIB B1 CODING RIB A



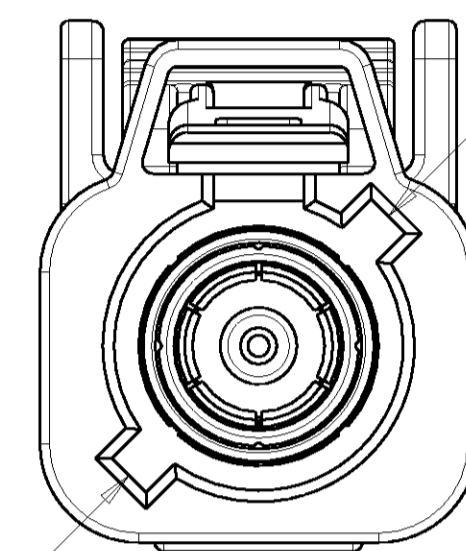
DETAIL A

CODING RIB B2 CODING RIB A



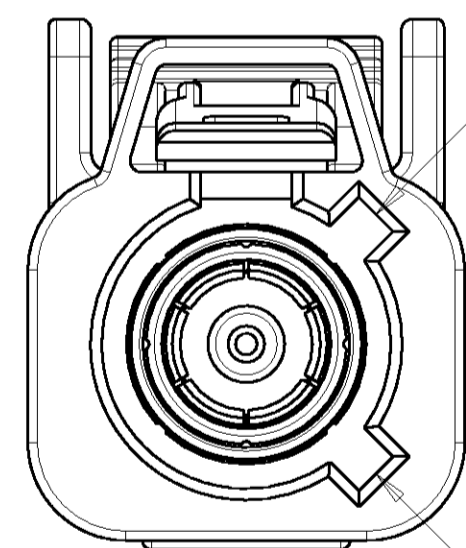
DETAIL B

CODING RIB C CODING RIB A



DETAIL C

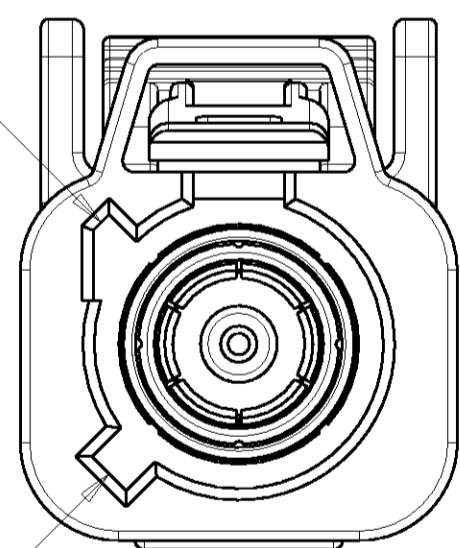
CODING RIB A



DETAIL D

CODING RIB D

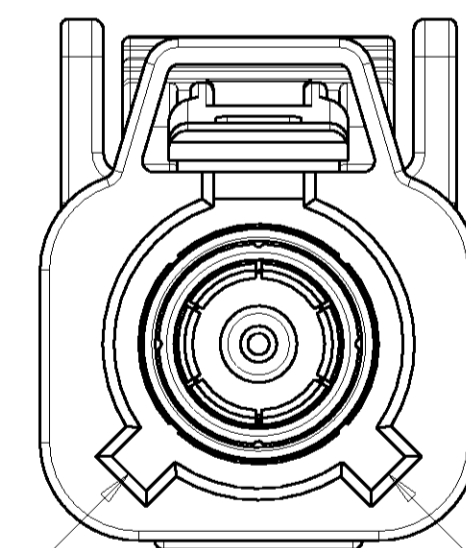
CODING RIB B2



DETAIL H

CODING RIB C

CODING RIB C



DETAIL K

CODING RIB D

<small>THE INFORMATION CONTAINED HEREIN IS UNCLASSIFIED EXCEPT WHERE SHOWN OTHERWISE. IT IS THE PROPERTY OF TYCO ELECTRONICS CORPORATION AND IS TO BE CONTAINED AND CONTROLLED BY THE USER. IT IS TO BE KEPT CONFIDENTIAL AND NOT TO BE DISCLOSED TO THE PUBLIC.</small>		DWN: D. J. HARDY 05JAN2005 CHK: J. W. HALL 17JAN2005 APVD: J. W. HALL 17JAN2005	tyco Electronics Tyco Electronics Harrisburg, PA 17105-3608
DIMENSIONS: mm:	TOLERANCES UNLESS OTHERWISE SPECIFIED: 0 PLC ± 1 PLC ± 2 PLC ±0.25 3 PLC ± 4 PLC ± ANGLES ± FINISH	NAME: PLUG KIT, UNASSEMBLED, 1 POSITION, RG-62, 90 DEGREE, FAKRA, SMB PRODUCT SPEC: APPLICATION SPEC: WEIGHT: CUSTOMER DRAWING	SIZE: A CAGE CODE: 00779 DRAWING NO: C-1438904 RESTRICTED TO: C SCALE: 5:1 SHEET: 2 OF 2 REV: C