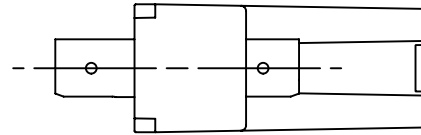


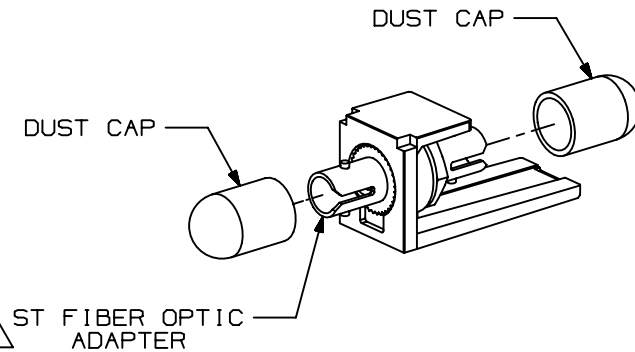
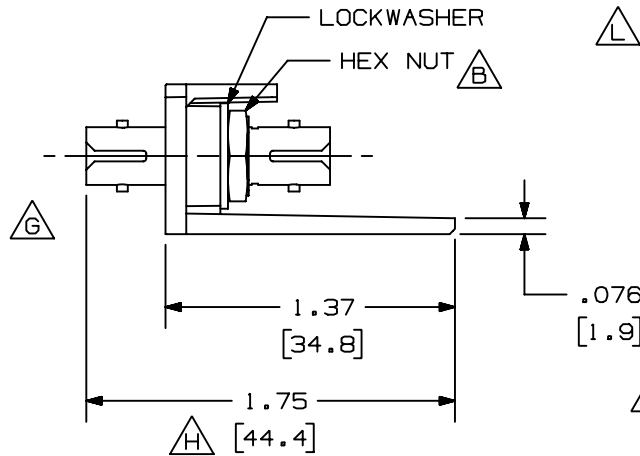
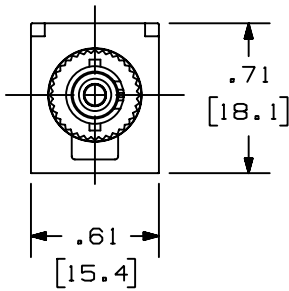
THIS COPY IS PROVIDED ON A RESTRICTED BASIS AND IS NOT TO BE USED IN ANY WAY DETRIMENTAL TO THE INTERESTS OF PANDUIT CORP.



| PANDUIT P/N | WEIGHT |
|-------------|-----------------------------------|
| CMST** | 2.37 LB/100 PCS (1078g/100PCS) |
| CMSTZ** | 2.37 LB/100 PCS (1078g/100PCS) |

NOTES:

- SEE CURRENT CATALOG FOR ADDITIONAL PART NUMBER SUFFIXES TO INDICATE COLOR AND/OR PACKAGE QUANTITY.
- SEE CATALOG FOR COMPLETE LIST OF PARTS APPLICABLE FOR USE WITH THIS PART.
- THIS PART IS DESIGNATED FOR USE WITH MINI-COM PLATES AND BOXES.
- DIMENSIONS IN BRACKETS ARE METRIC [mm].
- ADAPTER SLOT ORIENTATION MAY VARY.



| | |
|----------------------|------|
| MODEL FILENAME | SIZE |
| DRAWING FILENAME | A |
| D35241BD_CMST_03.PRT | |

TITLE
MINI-COM ST FIBER OPTIC ADAPTER MODULE CUSTOMER DRAWING

| | | | | | | | | | | |
|-----|----------|-----|-----|---|----------|-----|------|-----|-----|--|
| 04 | 1-31-03 | EFK | | L. ADDED: NOTE 5 K. ADDED CMSTZ** | 35241-04 | | | | | |
| 03 | 11-27-01 | EFK | MMW | J. ADDED: NOTE 3 H. ADDED: 1.75 [44.4] DIMENSION G. REM'D: .098 [2.5] DIMENSION F. REVISED ST ADAPTER PICTORALLY | 35241-04 | MMW | MMW | | | |
| 02 | 08-25-98 | JBA | FJD | E. MATERIAL WAS: HIPS | 35241-04 | FJD | FJD | | | |
| 01 | 08-22-95 | DW | CEF | D. CORRECTED WEIGHT C. MATERIAL WAS: A.B.S. B. ADDED: HEX NUT A. CORRECTED POSITION OF ADAPTER | 35241-04 | CEF | | | | |
| R | 08-15-95 | DW | CEF | RELEASED TO PRODUCTION | 35241-04 | CEF | | | | |
| REV | DATE | BY | CHK | DESCRIPTION | ECN | R | CUST | SUP | OTH | |

| | |
|--|--|
| PANDUIT TM CORP. TINLEY PARK, ILL 60477 | I.I. NUMBER |
| | PRODUCT SPEC |
| ALL DIMENSIONS ARE GIVEN IN INCHES, UNLESS OTHERWISE SPECIFIED. DIMENSIONAL TOLERANCES ARE: (.X) ± (.XXX) ± .010 (0.3) (.XX) ± .03 (0.8) ANGLES ± | WORK INST |
| | SCALE |
| DRAWN BY: DW DATE: 06-26-95 CHK'D: | NONE PART NO. CMST** CMSTZ** DRAWING NO. 35241-04 |
| MATERIAL: A.B.S. | |