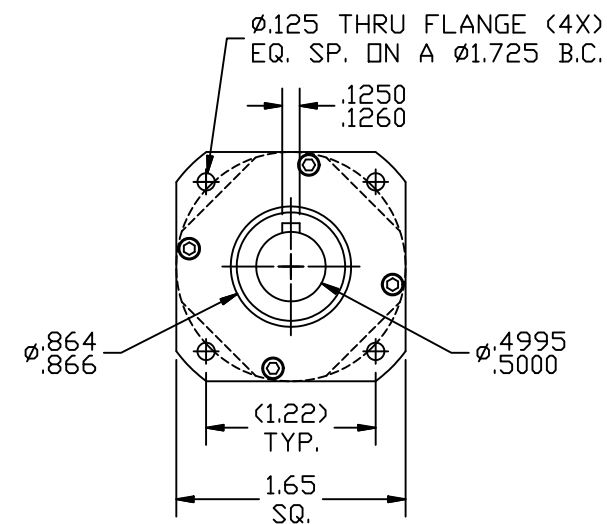
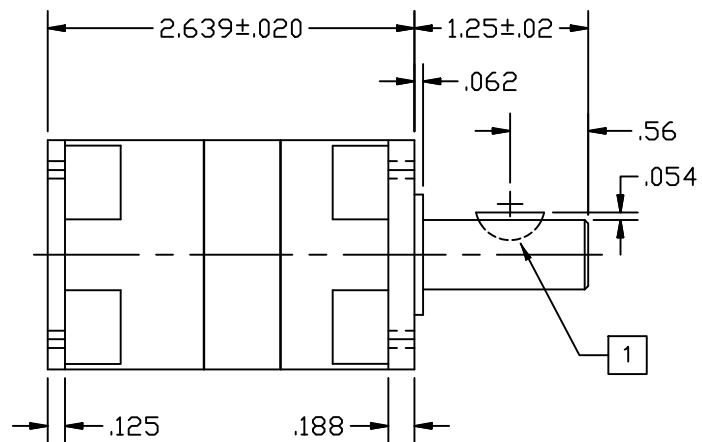
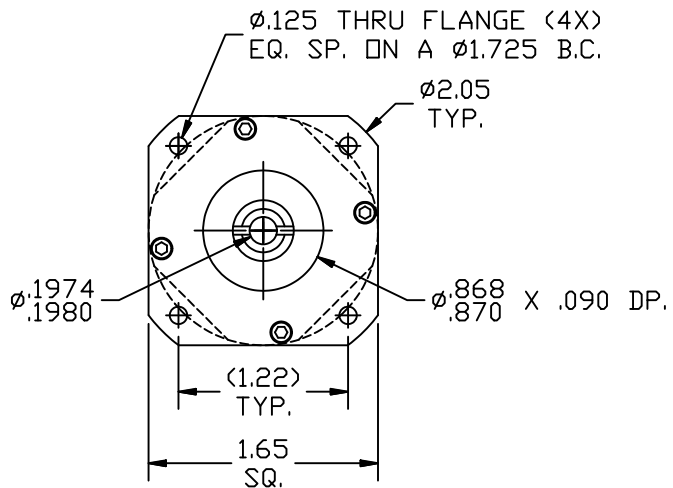


| REVISIONS | | | |
|-----------|--------------------------|---------|----------|
| REV | DESCRIPTION | DATE | APPROVED |
| A | INITIAL RELEASE ECO 6709 | 2/22/13 | J Kordik |
| | | | |
| | | | |



NOTES: UNLESS OTHERWISE SPECIFIED

- 1 #404 WOODRUFF KEY.
2. 17PN010 RATIO- 10:1
3. FOR TECHNICAL DETAILS, CONTACT APPLIED MOTION PRODUCTS.

| TOLERANCES | | THIRD ANGLE PROJECTION | | APPLIED MOTION PRODUCTS, INC. | | |
|---|--|-------------------------|----------------|-------------------------------|--------------|---|
| DECIMALS: [MM] INCH X.XXX = ± .005 X.XX = ± [0.13] .010 X.X = ± [0.25] .020 ANGLES: MACH. = ± 5' CHAM. = ± 5' | | | | | | |
| | | APPROVALS | DATE | | | OUTLINE, GEAR HEAD, PN17, 1 STAGE |
| | | DRAWN R.JONEZ | 2/22/13 | B | DWG NO. | |
| | | CHECKED | | | 17PN010 | A |
| COMPUTER DATA BASE DRAWING | | APPROVED | | SCALE: FULL | SHEET 1 OF 1 | |