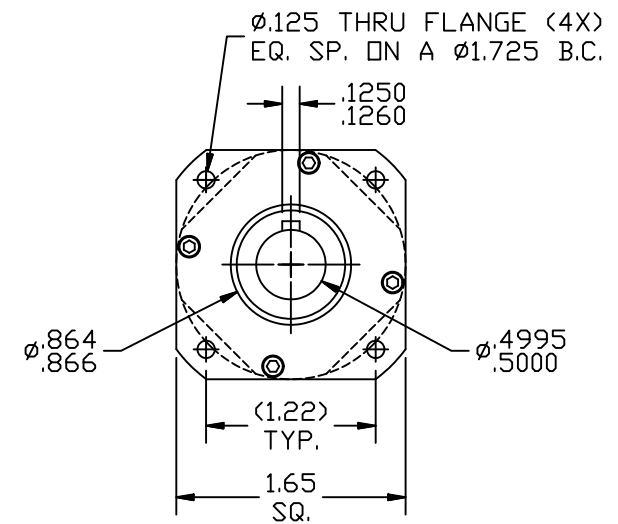
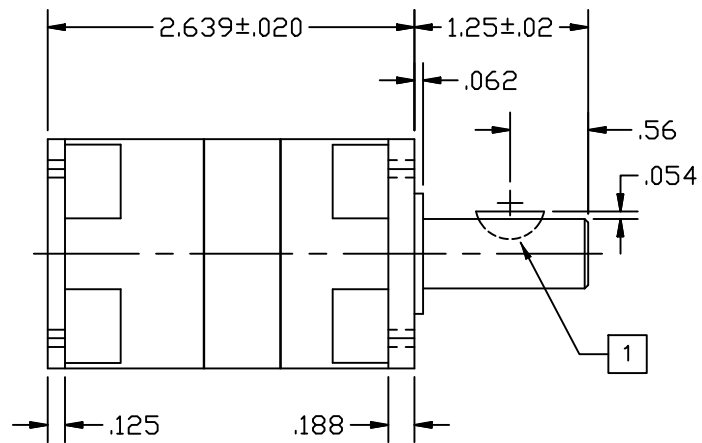
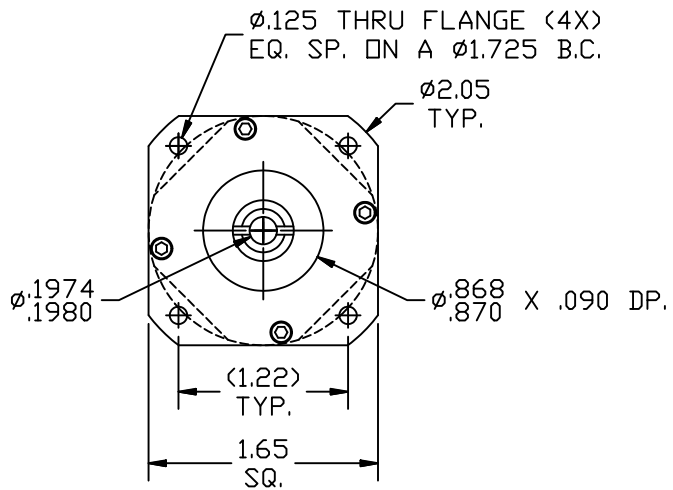


REVISIONS			
REV	DESCRIPTION	DATE	APPROVED
A	INITIAL RELEASE ECO 6709	2/22/13	J Kordik



NOTES: UNLESS OTHERWISE SPECIFIED

- 1 #404 WOODRUFF KEY.
2. 17PN010 RATIO- 10:1
3. FOR TECHNICAL DETAILS, CONTACT APPLIED MOTION PRODUCTS.

TOLERANCES	THIRD ANGLE PROJECTION		APPLIED MOTION PRODUCTS, INC.	
DECIMALS: [MM] INCH X.XXX = $\pm .005$ X.XX = $\pm [0.13] .010$ X.X = $\pm [0.25] .020$ ANGLES: MACH. = $\pm 5^\circ$ CHAM. = $\pm 5^\circ$			 <b>OUTLINE, GEAR HEAD,            PN17, 1 STAGE</b>	
COMPUTER DATA BASE DRAWING	APPROVALS DRAWN <b>R. JONEZ</b> CHECKED	DATE <b>2/22/13</b>		
	APPROVED		SCALE: FULL	SHEET 1 OF 1