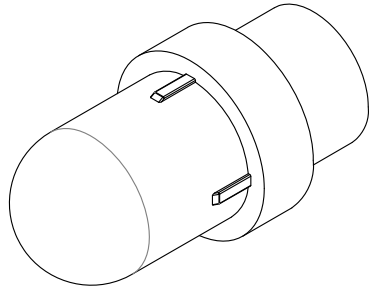
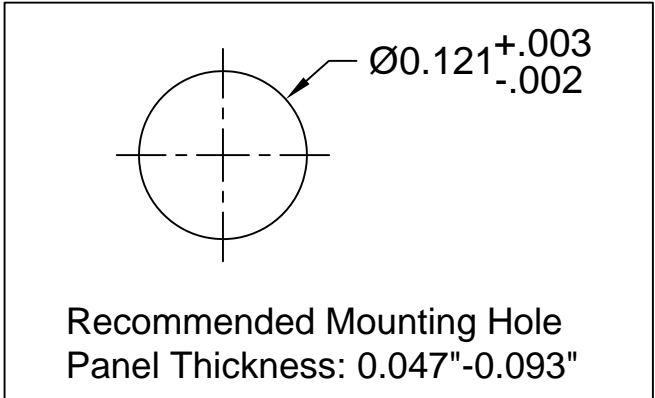
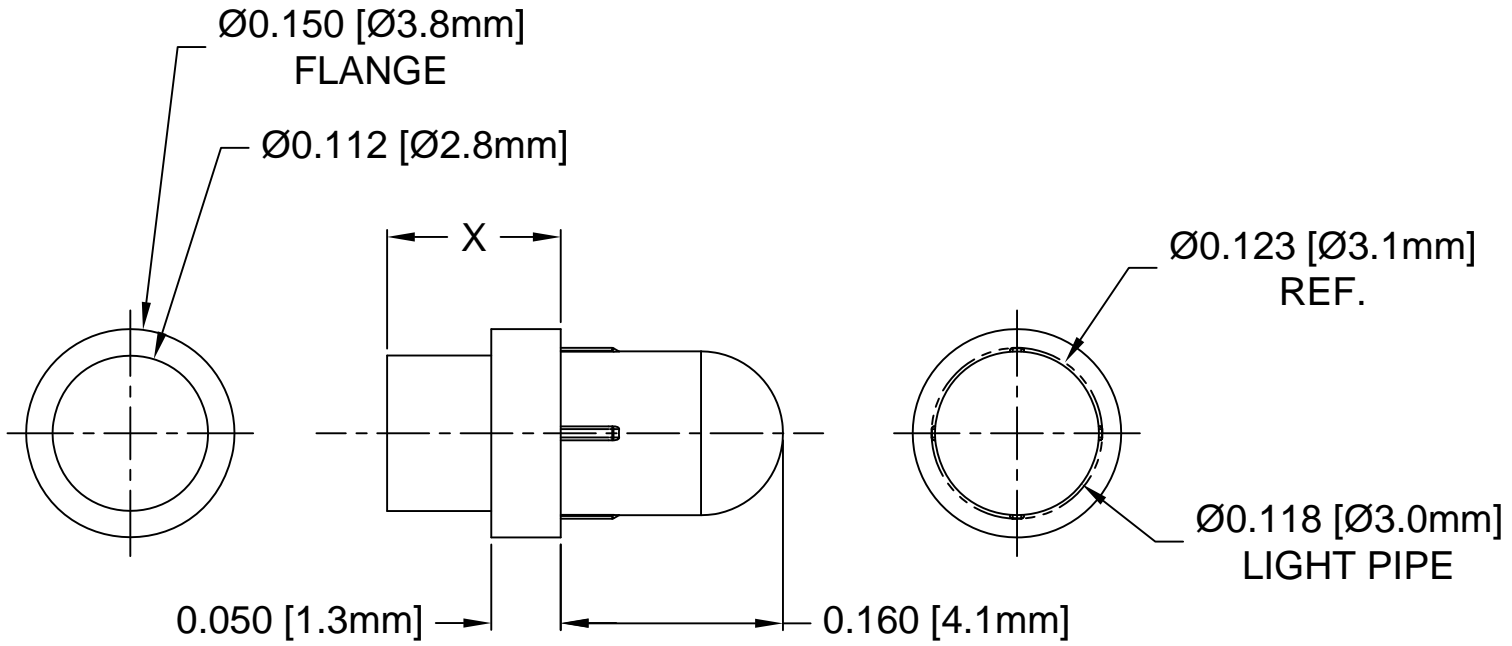


Part No.	X = Body Length
PLP1-100-S	0.100 ( 2.5mm )
PLP1-125-S	0.125 ( 3.2mm )
PLP1-2.5MM-S	2.5mm ( 0.100" )
PLP1-3MM-S	3mm ( 0.118" )

REV.	DESCRIPTION	DATE	APPROVED
<b>A</b>	Engineering Release	<b>07/15/15</b>	<b>J. C.</b>



- 2. MATERIAL: POLYCARBONATE, 94V-0, BLACK DIFFUSED.
- 1. GENERAL SPECIFICATIONS: BIVAR MOLDED COMPONENT SPECIFICATION BV00-E101 and BSMC-1001.

STANDARD TOLERANCE (UNLESS OTHERWISE SPECIFIED)		BIVAR®	
DECIMALS	ANGULAR	4 THOMAS, IRVINE, CA. 92618	
.X ± .1	X° ± 1°	TEL: (949) 951-8808 FAX: (949) 951-3974	
.XX ± .01		<b>TITLE:</b> PRESS-FIT, PANEL MOUNT, LIGHT PIPE, ROUND TOP, SMOKED	
.XXX ± .005		<b>PART NO:</b> PLP1-XXX-S	REVISION: A
DESIGNED: <b>Brian Oliver</b>	DATE: <b>04/02/15</b>	<b>CAGE CODE :</b> 32559	<b>SHEET # 1 OF 1</b>
CHECKED: <b>A. Wright</b>	DATE: <b>04/02/15</b>	CAD GENERATED DOCUMENT. DO NOT MEASURE DRAWING.	