

4

3

2

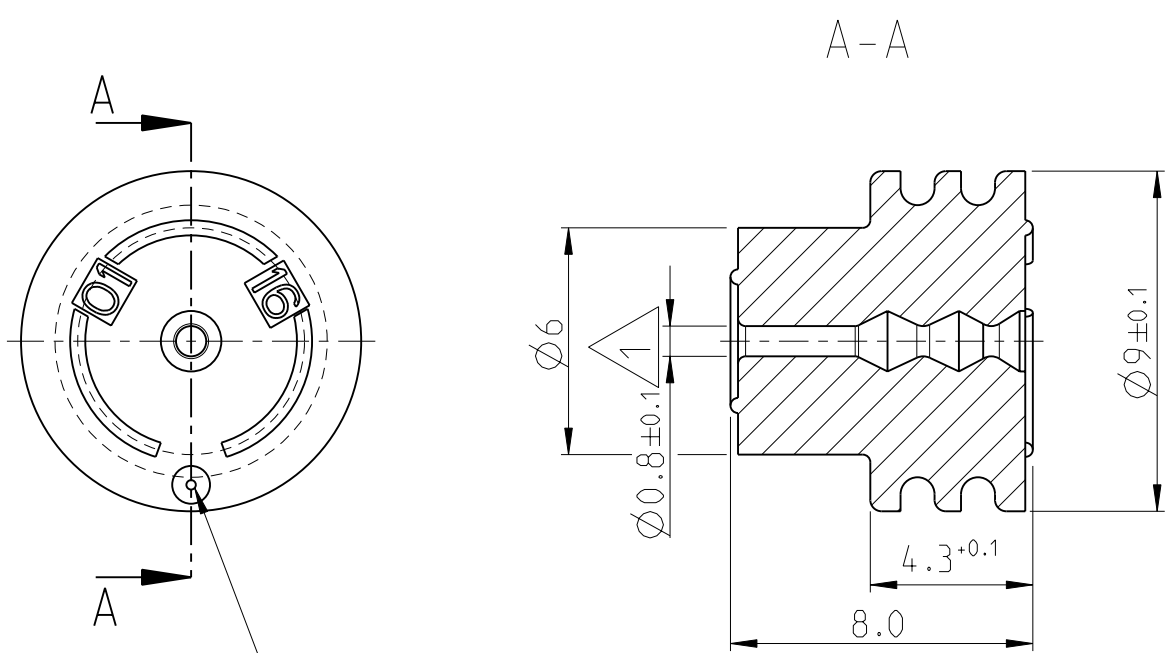
1

THIS DRAWING IS UNPUBLISHED. RELEASED FOR PUBLICATION 2011  
 © COPYRIGHT 2011 ALL RIGHTS RESERVED.

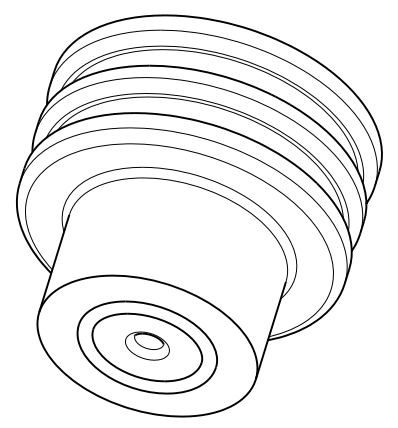
LOC	DIST	REVISIONS					
		P	LTR	DESCRIPTION	DATE	DWN	APVD
A1	-		A1	NEW PRO/E DRAWING	31MAR2011	SH	-

Einzelleiterdichtung fuer Standard-Power-Timer,  
 AMP MCP6.3/4.8K und 5.8mm Flachstecker  
 SEALING FOR STANDARD-POWER-TIMER, AMP MCP6.3/4.8K  
 AND 5.8mm TAB


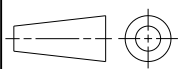
1 Geeignet fuer Isolations  $\varnothing$ 1.4-2.0mm  
 (FLK-Leitung 0.35mm<sup>2</sup>, FLR-Leitung 0.5-1.0mm<sup>2</sup>)  
 DEDICATED FOR INSULATION DIA 1.4-2.0mm  
 (FLK-CABLE WIRE SIZE 0.35mm<sup>2</sup>  
 FLR-CABLE WIRE SIZE 0.5-1.0mm<sup>2</sup>)



Anguss erhaben  
 INJECTION POINT RAISED 0.2max



2177018-1	A	SINGLE WIRE SEAL Einzelleiterdichtung	YELLOW gelb	01
PART NO Teile-Nr.	REV	DESCRIPTION Bezeichnung	COLOUR Farbe	ITEM NO

THIS DRAWING IS A CONTROLLED DOCUMENT.		DWN	31MAR2011	 TE Connectivity	
		CHK	07JUNE2011		
		APVD	-	NAME	
DIMENSIONS: mm		TOLERANCES UNLESS OTHERWISE SPECIFIED:		SINGLE WIRE SEAL, INSULATION DIA 1.4-2.0mm Einzeldrahtdichtung	
		0 PLC	±0.2	PRODUCT SPEC	
		1 PLC	±-	-	
		2 PLC	±-	APPLICATION SPEC	
		3 PLC	±-	-	
		4 PLC	±-	SIZE	
		ANGLES	±2°	CAGE CODE	DRAWING NO
MATERIAL		FINISH	-	00779	©=2177018
MVQ, SILICON				RESTRICTED TO	-
CUSTOMER DRAWING				WEIGHT	0.36 [g]
				SCALE	5:1
				SHEET	1 OF 1
				REV	A1