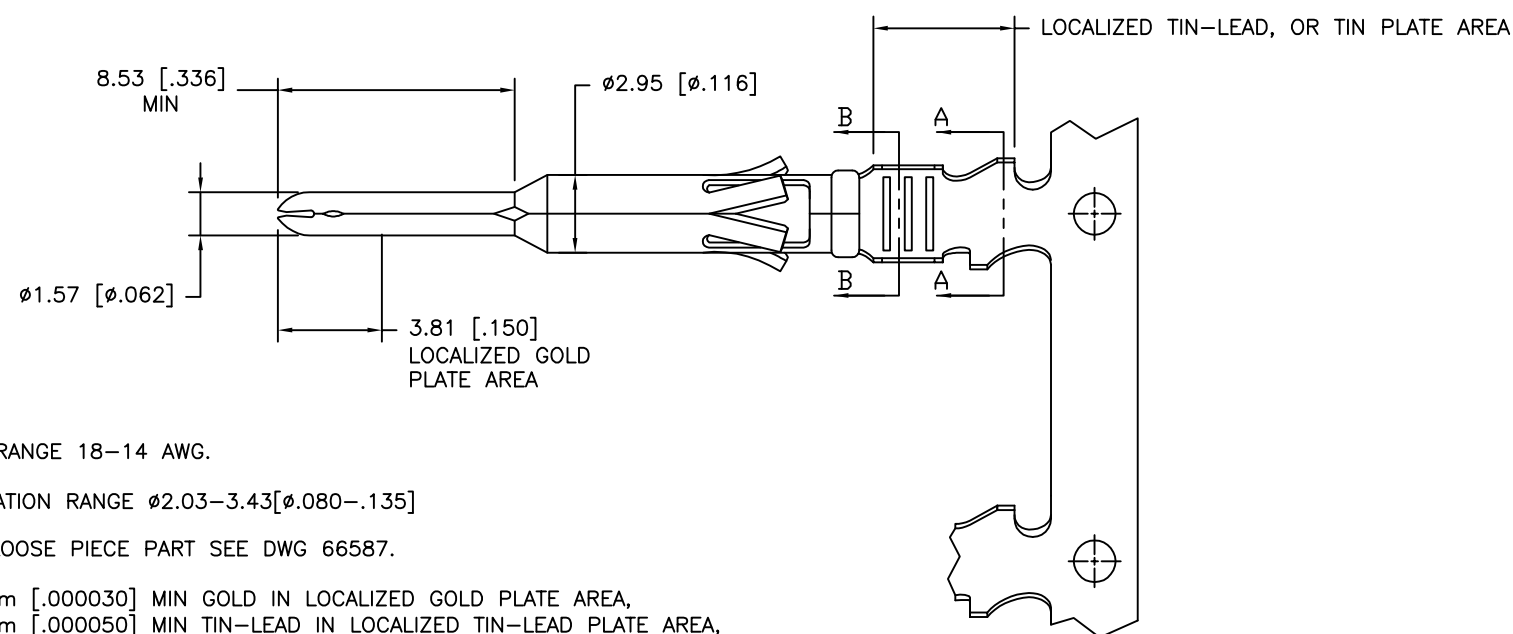
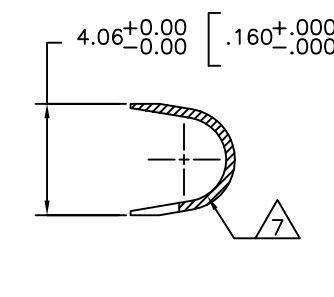
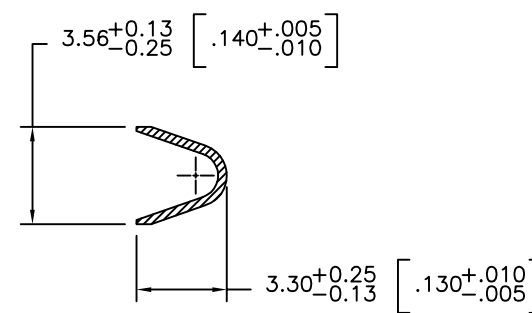
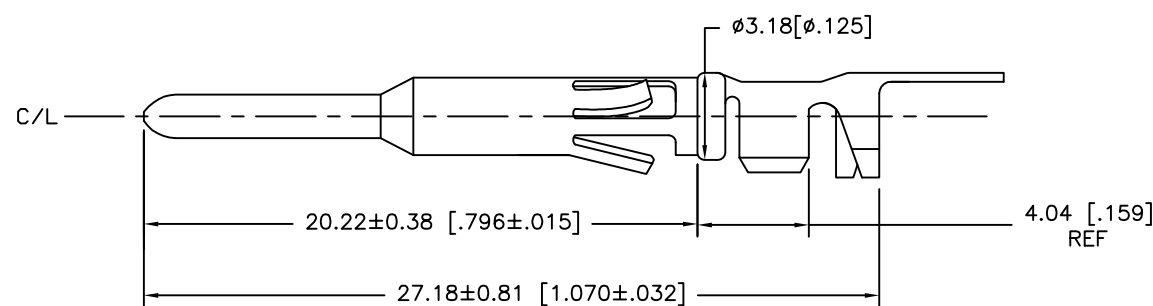
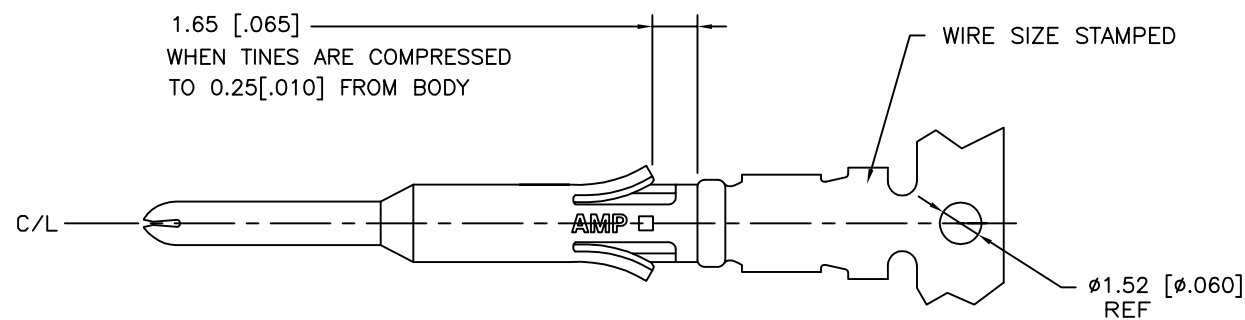


P	LTR	DESCRIPTION	DATE	DWN	APVD
	H	EC 0G3B-0317-03	24APR03	VF	GS
	J	REVISED PER ECO-17-009773	06JUL2017	RS	MZ



- 1 WIRE RANGE 18-14 AWG.
- 2 INSULATION RANGE  $\phi 2.03-3.43[\phi .080-.135]$
- 3 FOR LOOSE PIECE PART SEE DWG 66587.
- 4  $0.76\mu\text{m} [.000030]$  MIN GOLD IN LOCALIZED GOLD PLATE AREA,  $1.27\mu\text{m} [.000050]$  MIN TIN-LEAD IN LOCALIZED TIN-LEAD PLATE AREA, BOTH OVER  $1.27\mu\text{m} [.000050]$  MIN NICKEL.
- 5 TIN PLATED.
- 6 GOLD PLATING PER MIL-G-45204, TIN PER MIL-T-10727 AND NICKEL PER QQ-N-290.
- 7  $\phi 2.03-2.67[\phi .080-.105]$  INSULATION CRIMP WILL BE  $3.05[.120]$  "O" CRIMP,  $\phi 2.67-3.43[\phi .105-.135]$  INSULATION CRIMP WILL BE  $3.56[.140]$  "O" CRIMP.
- 8  $0.76\mu\text{m} [.000030]$  MIN GOLD IN LOCALIZED GOLD PLATE AREA,  $1.27\mu\text{m} [.000050]$  MIN TIN IN LOCALIZED TIN PLATE AREA, BOTH OVER  $1.27\mu\text{m} [.000050]$  MIN NICKEL.

OBsolete	REVERSE REELED FOR MINI-APPLICATOR	8	66577-7
	REVERSE REELED FOR MINI-APPLICATOR	4	66577-4
OBsolete	-	4	66577-3
	REVERSE REELED FOR MINI-APPLICATOR	5	66577-2
	-	5	66577-1
	DESCRIPTION	FINISH	PART NUMBER

THIS DRAWING IS A CONTROLLED DOCUMENT.		DWN V. FURLER 12MAY03	<b>TE Connectivity</b>													
DIMENSIONS: mm [INCHES]		CHK G. STEINHAUER 12MAY03														
TOLERANCES UNLESS OTHERWISE SPECIFIED:		APVD G. STEINHAUER 12MAY03	NAME													
<table border="0"> <tr><td>0 PLC</td><td>± -</td></tr> <tr><td>1 PLC</td><td>± -</td></tr> <tr><td>2 PLC</td><td>± 0.13 [.005]</td></tr> <tr><td>3 PLC</td><td>± -</td></tr> <tr><td>4 PLC</td><td>± -</td></tr> <tr><td>ANGLES</td><td>± -</td></tr> </table>		0 PLC	± -	1 PLC	± -	2 PLC	± 0.13 [.005]	3 PLC	± -	4 PLC	± -	ANGLES	± -	PRODUCT SPEC	CONTACT, PIN, STRIP, TYPE VI, MULTIMATE	
0 PLC	± -															
1 PLC	± -															
2 PLC	± 0.13 [.005]															
3 PLC	± -															
4 PLC	± -															
ANGLES	± -															
MATERIAL BRASS MIL-C-50		FINISH SEE TABLE 6	APPLICATION SPEC	RESTRICTED TO												
		WEIGHT -	SIZE A3	CAGE CODE 00779												
			DRAWING NO C-66577	SCALE 8.5:1												
				SHEET 1 OF 1												
				REV J												
				CUSTOMER DRAWING												