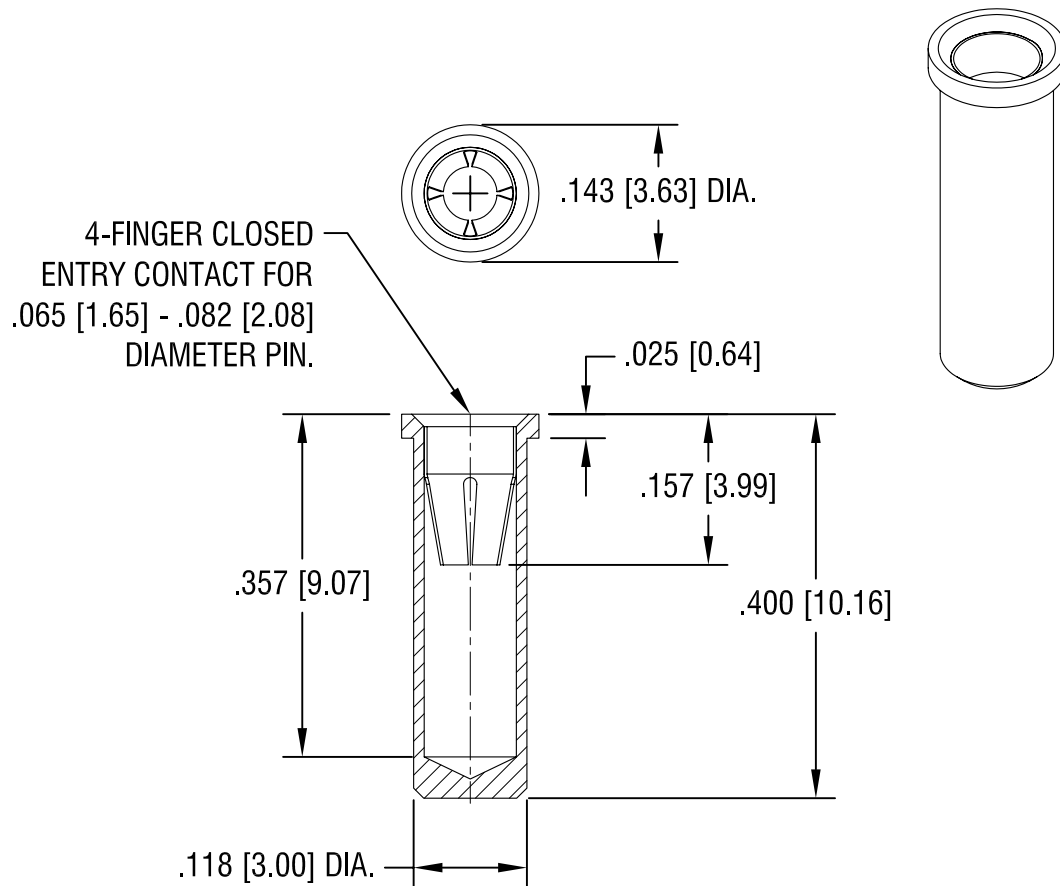


THIS DOCUMENT IS THE PROPERTY OF
KEYSTONE ELECTRONICS CORP. AND
SHALL NOT BE REPRODUCED, DISTRIBUTED
OR USED AS A BASIS FOR MANUFACTURE
WITHOUT PRIOR WRITTEN PERMISSION
FROM KEYSTONE ELECTRONICS CORP.



NOTES:

1. BODY: MAT'L - BRASS
SPRING CONTACT: MAT'L - BERYLLIUM COPPER
2. MOUNTING HOLE DIA.: .120 [3.05] MIN.

PART NO.	BODY FINISH	CONTACT FINISH
1641A	GOLD PLATE	GOLD PLATE
1641B	TIN / LEAD PLATE	TIN / LEAD PLATE
1641C	TIN / LEAD PLATE	GOLD PLATE

KEYSTONE ELECTRONICS CORP.

www.keyelco.com • ASTORIA, N.Y. 11105-2017 • Tel (718) 956-8900

PART NAME				MICRO JACK, SOLDER MOUNT			
MATERIAL				AS NOTED			
FINISH		AS NOTED		DRN BY	NT	DATE	8.05.08
				APP'D	LN	SCALE	5X
TOLERANCES	INCH	[MM]	CODE	DWG NO.			
DECIMAL	± .005	[± 0.15]	C/M	1641A - 1641C			
ANGULAR	± 1°						
UNLESS OTHERWISE SPECIFIED							

DATE	DESCRIPTION	REV.