

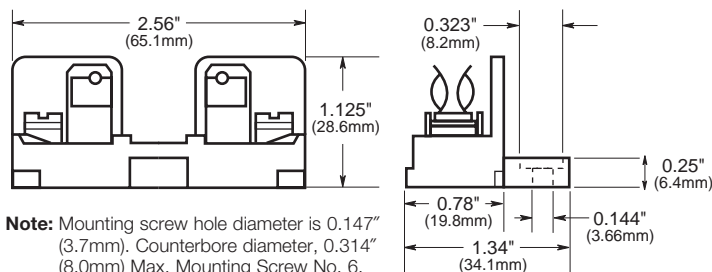
Add-On Fuseblocks

For 1³/₃₂" × 1¹/₂" Fuses

3723, 3742 and 3743



Dimensional Data



Catalog Symbol: 3743
Add-On Fuseblocks
Ampere Rating: 30 Amperes
Voltage Rating: 600 Volts AC
Agency Information:
 U.L. Recognized, Guide IZLT2, File E14853

General Information:

- Single pole block.
- Single pole blocks lock into each other and can be added at any time.
- Each has single end barrier. Order end barrier 3742 to complete block.
- Molded phenolic base; screw terminal; beryllium copper, bright-dipped clips.

End Barrier

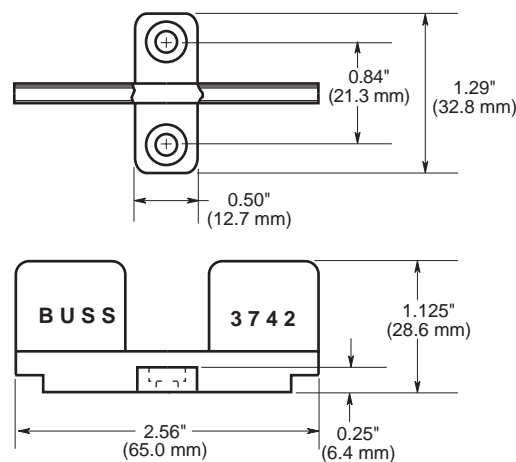


Catalog Symbol: 3742
Add-On Fuseblocks
End Barrier Only

Marking Strip

Catalog Symbol: 3723
Marking Strip
Length: 9³/₈" (23.8mm)

Dimensional Data



The only controlled copy of this BIF document is the electronic read-only version located on the Bussmann Network Drive. All other copies of this BIF document are by definition uncontrolled. This bulletin is intended to clearly present comprehensive product data and provide technical information that will help the end user with design applications. Bussmann reserves the right, without notice, to change design or construction of any products and to discontinue or limit distribution of any products. Bussmann also reserves the right to change or update, without notice, any technical information contained in this bulletin. Once a product has been selected, it should be tested by the user in all possible applications.