

PART NAME: KNOB      SCALE: 1:1      DATE: 2/3/97      DR. BY HD

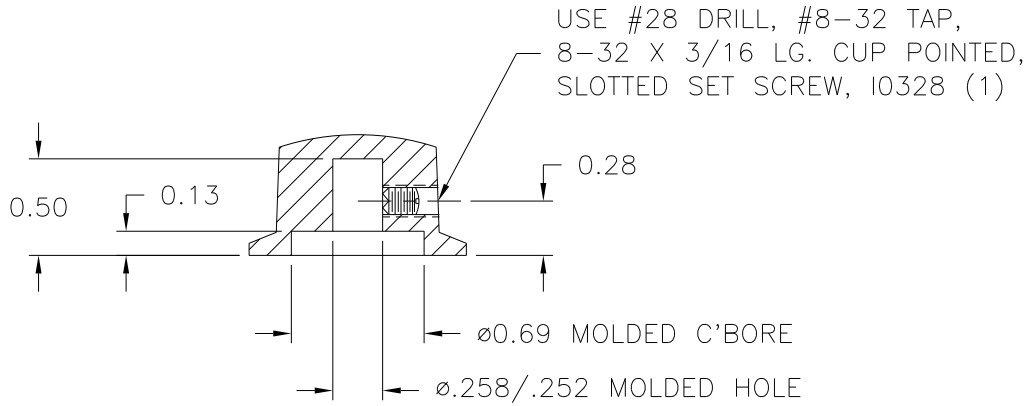
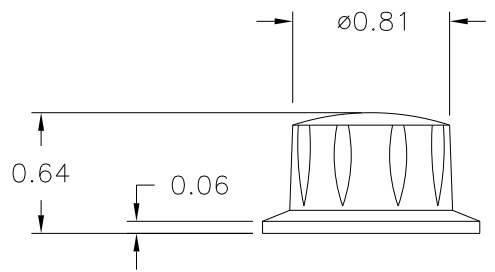
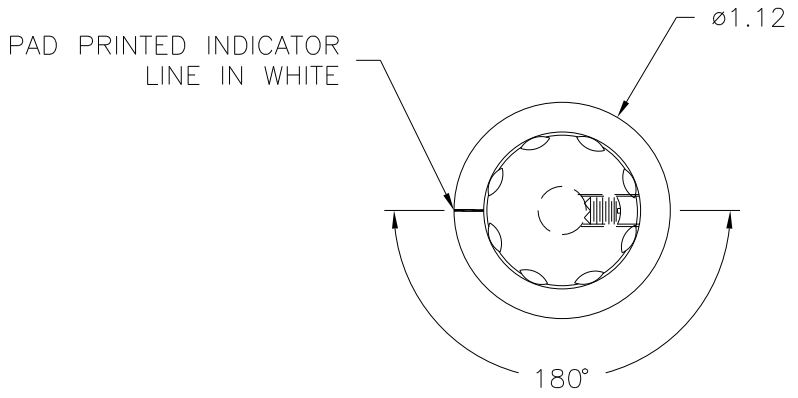
DAVIES MOLDING COMPANY  
CAROL STREAM, ILLINOIS 60188

P/N 1913BD

THIS DRAWING IS THE PROPERTY OF DAVIES MOLDING COMPANY, IS SUBMITTED SOLELY AS A DESIGN OR ENGINEERING PROJECT. WE ACCEPT NO RESPONSIBILITY WHATSOEVER FOR THE PRACTICAL APPLICATION OF THE PIECES MADE TO THIS DESIGN.

BASE PART 1913-01

SET SCREW I0328



MATERIAL: G.P. PHENOLIC (B11)  
COLOR: BLACK

TOLERANCES: UNLESS OTHERWISE SPECIFIED	DO NOT SCALE DRAWING			
DECIMALS: X.XXX ± .005 X.XX ± .015	MM: X.XX ± 0.15MM X.X ± 0.4MM	-	UPDATED/HAD TOOLBOX	EV. 8/19/02
FRACTIONS ± 1/64	ANG. ± 1°	-	REDRAWN	TL 11/2/99
CHANGES				

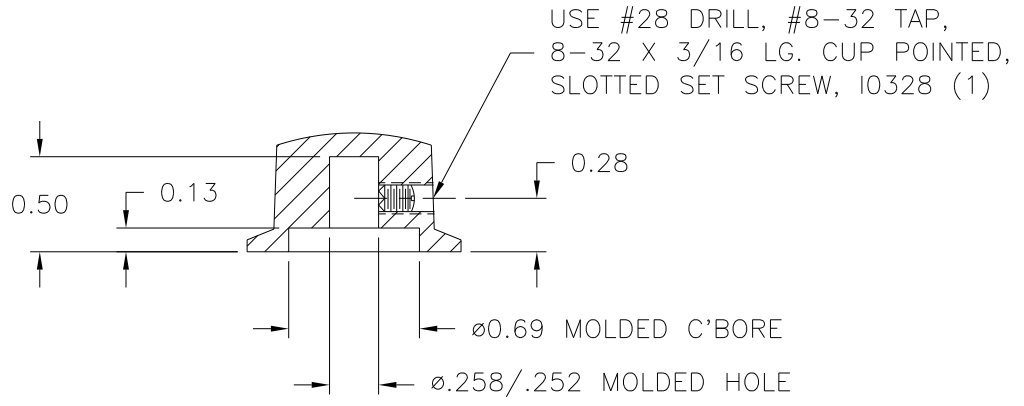
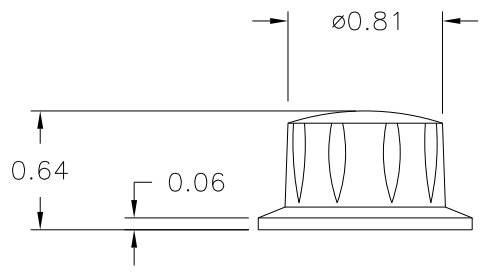
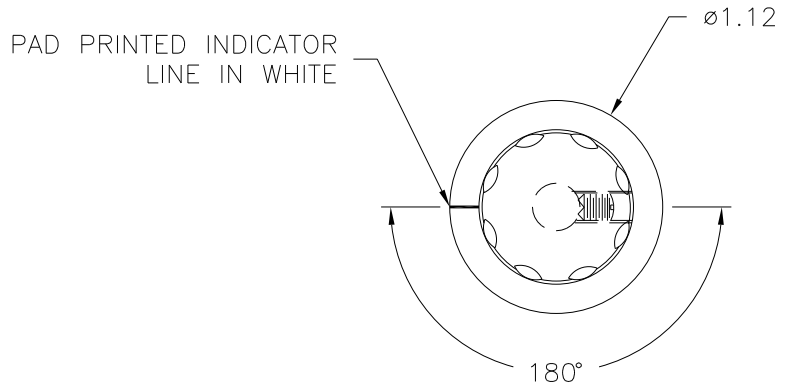
PART NAME: KNOB      SCALE: 1:1      DATE: 2/3/97      DR. BY HD

DAVIES MOLDING COMPANY  
CAROL STREAM, ILLINOIS 60188

P/N 1913BD

THIS DRAWING IS THE PROPERTY OF DAVIES MOLDING COMPANY, IS SUBMITTED SOLELY AS A DESIGN OR ENGINEERING PROJECT.  
WE ACCEPT NO RESPONSIBILITY WHATSOEVER FOR THE PRACTICAL APPLICATION OF THE PIECES MADE TO THIS DESIGN.

BASE PART	1913-01
SET SCREW	I0328



MATERIAL: G.P. PHENOLIC (B11)  
COLOR: BLACK

TOLERANCES: UNLESS OTHERWISE SPECIFIED	DO NOT SCALE DRAWING			
DECIMALS: X.XXX ± .005 X.XX  ± .015	MM: X.XX ± 0.15MM X.X  ± 0.4MM	-	UPDATED/HAD TOOLBOX	EV. 8/19/02
FRACTIONS ± 1/64	ANG. ± 1°	-	REDRAWN	TL 11/2/99
CHANGES				