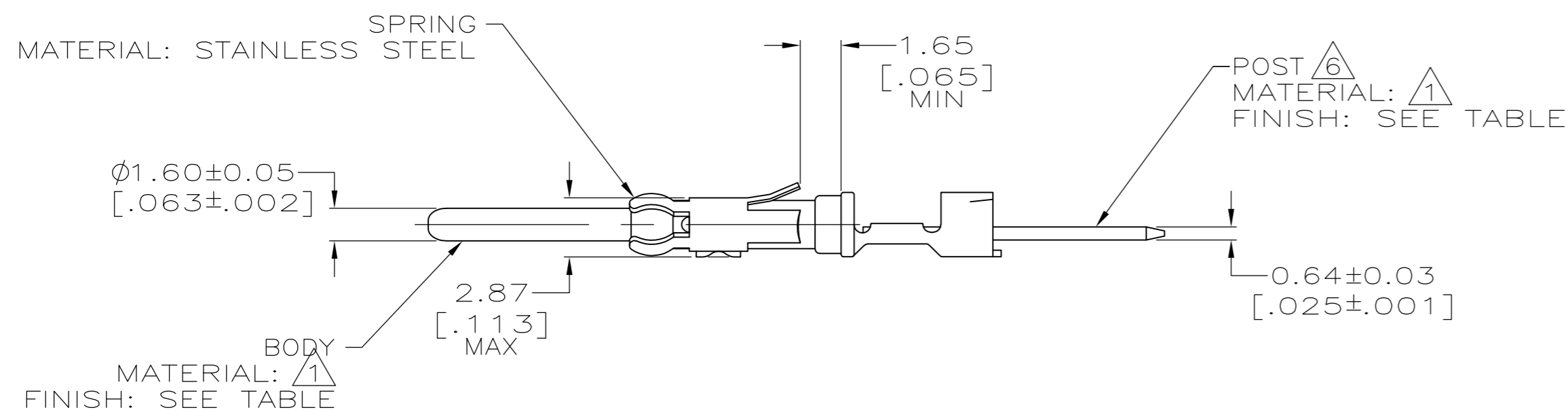
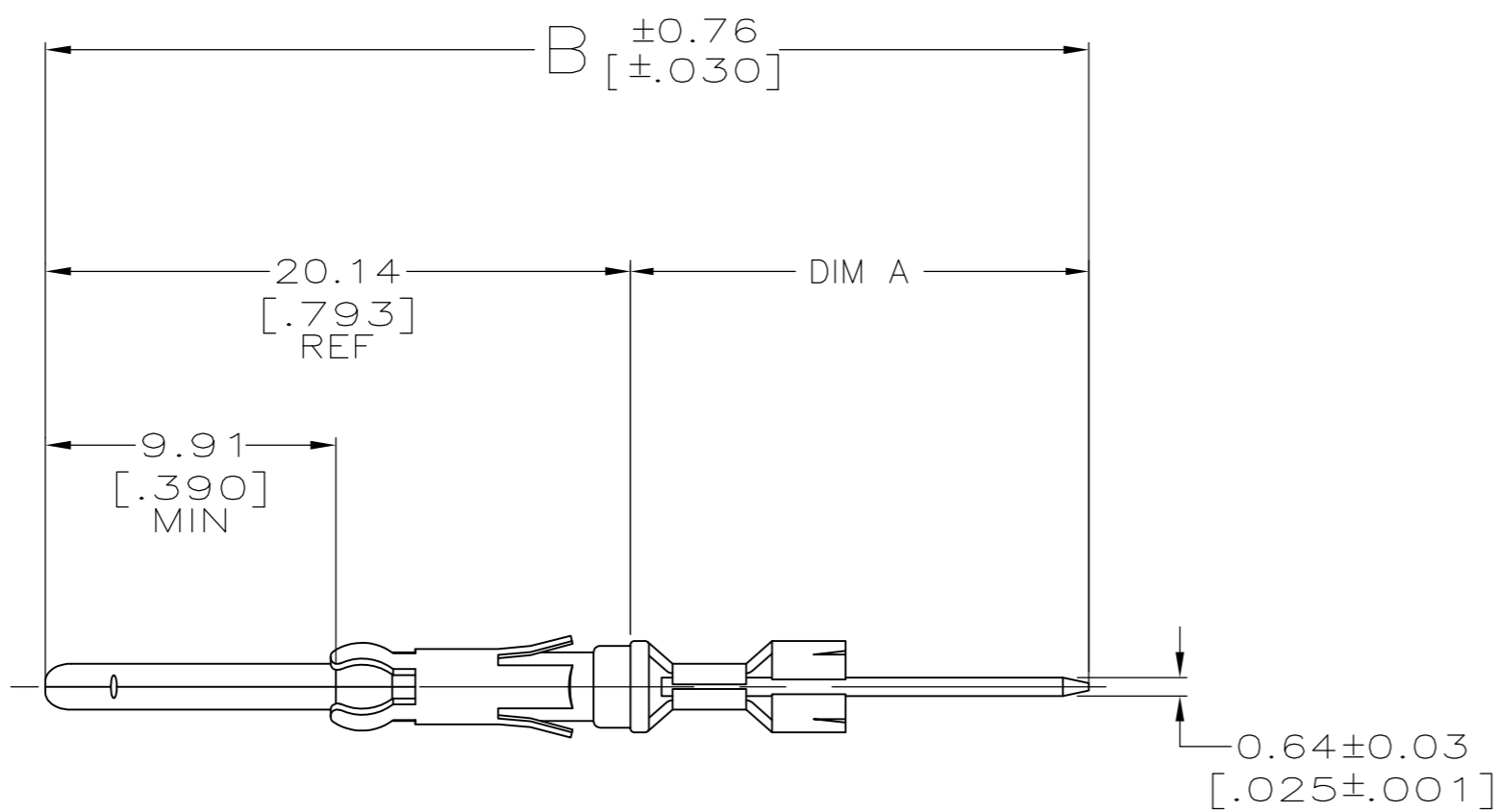


THIS DRAWING IS UNPUBLISHED. RELEASED FOR PUBLICATION
 © COPYRIGHT - By - ALL RIGHTS RESERVED.

| REVISIONS | | | | | |
|-----------|-----|---------------------------|-----------|-----|------|
| P | LTR | DESCRIPTION | DATE | DWN | APVD |
| | AT1 | REVISED PER ECO-16-004223 | 19JUL2016 | NK | MZ |
| | AT2 | REVISED PER ECO-17-008715 | 16JUN2017 | RS | MZ |



- 1 BRASS PER ASTM B-36.
- 2 2.54µm [.000100] MIN TIN-LEAD OVER 1.27µm [.000050] MIN NICKEL.
- 3 0.76µm [.000030] MIN PRECIOUS METAL PLATING CONFORMS TO THE REQUIREMENTS OF TE PRODUCT SPEC 108-10042, BASED ON EIA/ECA-364-1000.01 (CONTROLLED ENVIRONMENT APPLICATIONS), OVER 1.27µm [.000050] MIN NICKEL.
- 4 0.76µm [.000030] MIN PRECIOUS METAL PLATE ON MATING END FOR A LENGTH OF 5.08 [.200] MIN OVER 1.27µm [.000050] MIN NICKEL PLATE. GOLD FLASH ALL OVER. CONFORMS TO THE REQUIREMENTS OF TE CONNECTIVITY PRODUCT SPEC 108-10042, BASED ON EIA/ECA-364-1000.01A (CONTROLLED ENVIRONMENT APPLICATIONS).
- 5 SELECTIVELY PLATED 0.51µm [.000020] MIN GOLD, FOR A DISTANCE OF 5.08 [.200] FROM MATING END, GOLD FLASH ON REMAINDER, ALL OVER 0.76µm [.000030] MIN NICKEL.
- 6 POST WILL ACCEPT (SEE TABLE) TERMINATIONS.
- 7 POST PLATING .000100 MIN TIN OVER .000050 MIN NICKEL.
- 8 .0001000 TIN OVER .000050 NICKEL.

| FINISH | BODY FINISH | NO OF TERM | B | A | PART NUMBER | |
|-----------------------|-------------|------------|---------------|---------------|---------------|-----------|
| 7 | 8 | 3 | 46.08 [1.814] | 25.91 [1.020] | 6-66460-6 | |
| 7 | 8 | 1 | 35.97 [1.416] | 15.80 [.622] | 6-66460-5 | |
| 7 | 4 | 3 | 46.08 [1.814] | 25.91 [1.020] | 6-66460-4 | |
| 7 | 4 | 2 | 41.28 [1.625] | 21.11 [.831] | 6-66460-3 | |
| 7 | 4 | 1 | 35.97 [1.416] | 15.80 [.622] | 6-66460-2 | |
| OBSOLETE | 2 | 2 | SPECIAL | 33.40 [1.315] | 13.23 [.521] | 6-66460-1 |
| | 2 | 3 | SPECIAL | 65.61 [2.583] | 45.44 [1.789] | 5-66460-0 |
| | 2 | 3 | SPECIAL | 57.73 [2.273] | 37.57 [1.479] | 4-66460-9 |
| | 2 | 3 | SPECIAL | 49.86 [1.963] | 29.69 [1.169] | 4-66460-8 |
| | 2 | 3 | SPECIAL | 68.60 [2.701] | 48.44 [1.907] | 3-66460-0 |
| | 2 | 3 | SPECIAL | 59.71 [2.351] | 39.55 [1.557] | 2-66460-9 |
| | 2 | 3 | SPECIAL | 50.82 [2.001] | 30.66 [1.207] | 2-66460-8 |
| OBSOLETE | 2 | 4 | 1 | 34.80 [1.370] | 14.63 [.576] | 2-66460-1 |
| | 2 | 4 | - | 34.77 [1.369] | 14.63 [.576] | 2-66460-0 |
| | 2 | 4 | SPECIAL | 52.78 [2.078] | 32.61 [1.284] | 1-66460-9 |
| OBSOLETE | 2 | 5 | 2 | 41.28 [1.625] | 21.11 [.831] | 1-66460-8 |
| | 2 | 4 | 2 | 41.28 [1.625] | 21.11 [.831] | 1-66460-1 |
| | 2 | 4 | SPECIAL | 33.40 [1.315] | 13.23 [.521] | 1-66460-0 |
| | 2 | 4 | 3 | 46.08 [1.814] | 25.91 [1.020] | 66460-9 |
| | 2 | 4 | 2 | 41.28 [1.625] | 21.11 [.831] | 66460-8 |
| | 2 | 4 | 1 | 35.97 [1.416] | 15.80 [.622] | 66460-7 |
| OBSOLETE | 2 | 3 | 3 | 46.08 [1.814] | 25.91 [1.020] | 66460-6 |
| SUPERSEDED BY 66460-8 | 2 | 3 | 2 | 41.28 [1.625] | 21.11 [.831] | 66460-5 |
| | 2 | 3 | 1 | 35.97 [1.416] | 15.80 [.622] | 66460-4 |
| | 2 | 2 | 3 | 46.08 [1.814] | 25.91 [1.020] | 66460-3 |
| | 2 | 2 | 2 | 41.28 [1.625] | 21.11 [.831] | 66460-2 |
| | 2 | 2 | 1 | 35.97 [1.416] | 15.80 [.622] | 66460-1 |

THIS DRAWING IS A CONTROLLED DOCUMENT. DWN: C.REIFSNYDER 06 JUN 96
 CHK: R.STONE 27 JUN 96
 APVD: G.A.STEINHAUER 23 JUL 96

STE TE Connectivity

PIN CONTACT, CRIMPED, .062, .025 X .025 POSST, M SERIES

SIZE: A2 CAGE CODE: 00779 DRAWING NO: C-66460 RESTRICTED TO: -
 SCALE: 4:1 SHEET: 1 of 2 REV: AT2

CUSTOMER DRAWING

THIS DRAWING IS UNPUBLISHED. RELEASED FOR PUBLICATION
 © COPYRIGHT - By - ALL RIGHTS RESERVED.

| REVISIONS | | | | |
|-----------|-----|-------------|------|------|
| P | LTR | DESCRIPTION | DATE | APVD |
| - | - | SEE SHEET 1 | - | - |

| | | | | | |
|-------------|-------------|------------|------------------|-----------------|-------------|
| | | SPECIAL | 33.40 [1.315] | 13.23 [.521] | 6-66460-8 |
| | | 2 | 41.28 [1.625] | 21.11 [.831] | 6-66460-7 |
| POST FINISH | BODY FINISH | NO OF TERM | B | A | PART NUMBER |

| | | | | | |
|---|--|-------------------------------------|---|--------------------|---------------------|
| THIS DRAWING IS A CONTROLLED DOCUMENT. | | DWN C.REIFSNYDER 06 JUN 96 | TE Connectivity | | |
| DIMENSIONS: MM [INCHES] | | CHK R.STONE 27 JUN 96 | | | |
| TOLERANCES UNLESS OTHERWISE SPECIFIED: | | APVD G.A.STEINHAUER 23 JUL 96 | NAME PIN CONTACT, CRIMPED, .062, .025 X .025 POSST, M SERIES | | |
| 0 PLC ± - 1 PLC ± - 2 PLC ± 0.25 [.010] 3 PLC ± - 4 PLC ± - ANGLES ± - | | PRODUCT SPEC - | SIZE A2 | CAGE CODE 00779 | DRAWING NO 66460 |
| MATERIAL SEE CALLOUTS | | FINISH SEE CALLOUTS | WEIGHT | SCALE 4:1 | SHEET 2 of 2 |
| CUSTOMER DRAWING | | | RESTRICTED TO - | REV AT2 | |