

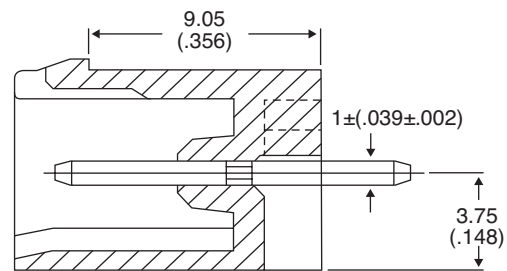
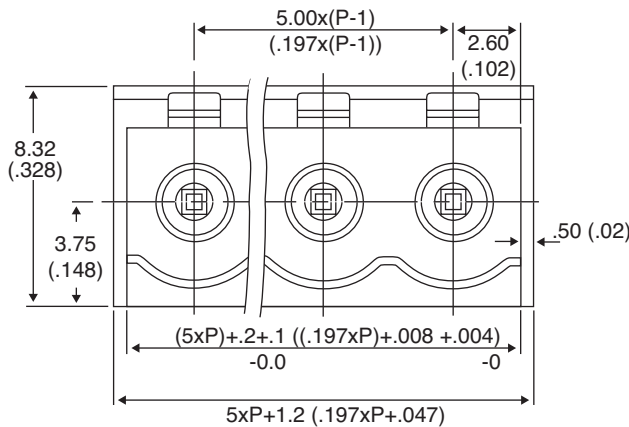
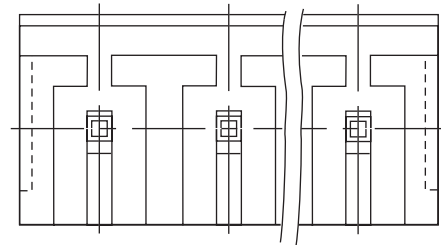
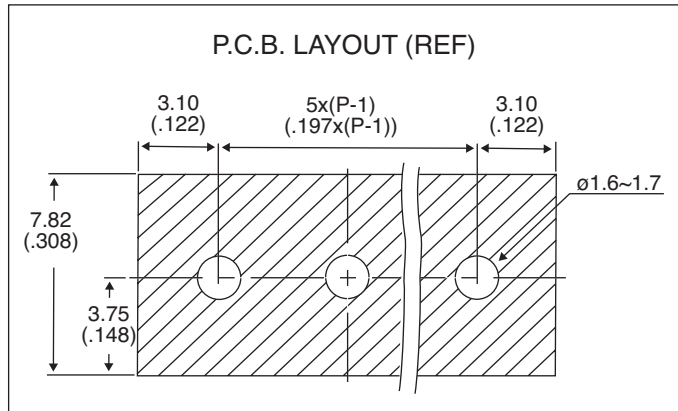
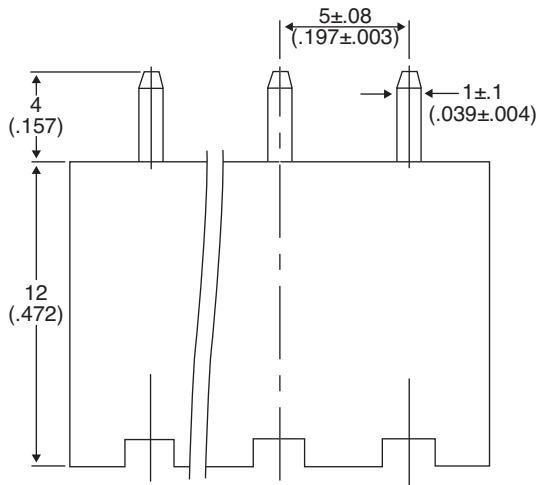
# Terminal Block Headers

158-P025EHDVCH-E, 158-P035EHDVCH-E, 158-P045EHDVCH-E, 158-P055EHDVCH-E,  
 158-P065EHDVCH-E, 158-P075EHDVCH-E, 158-P085EHDVCH-E, 158-P095EHDVCH-E,  
 158-P105EHDVCH-E, 158-P115EHDVCH-E, 158-P125EHDVCH-E



Terminal Block Headers

158-P025EHDVCH-E, 158-P035EHDVCH-E, 158-P045EHDVCH-E, 158-P055EHDVCH-E,  
 158-P065EHDVCH-E, 158-P075EHDVCH-E, 158-P085EHDVCH-E, 158-P095EHDVCH-E,  
 158-P105EHDVCH-E, 158-P115EHDVCH-E, 158-P125EHDVCH-E



Dimensions: mm (in.)

MATERIAL SPECIFICATIONS	
Solder pin:	Tin plated copper
Housing:	PA66, green

SPECIFICATIONS	
Rating:	300V 15A
Pitch:	5.00mm
Insulation withstand voltage:	AC1500V/min.
Insulation resistance:	500MΩ or more @ DC500V
Using Temperature range:	-40°C ~ +105°C
RoHS Compliant	

Date Last Revised: 3-7-07

Available from Mouser Electronics  
 1-800-346-6873 / www.mouser.com

KC- 301127

Specifications are subject to change without notice. No liability or warranty implied by this information. Environmental compliance based on producer documentation.