



Typical Specifications



Items	Specifications
Rated power	0.025W
Maximum operating voltage	5V DC
Operating travel	Each direction $2^{+0.2}_0$ mm
Operating force	0.75 ± 0.3 N
Operating life	2,000,000 cycles

Product Line

Product No.	Lever return mechanism	Center-push	Total resistance (k Ω)	Resistance taper	Minimum order unit (pcs.)	
					Japan	Export
RKJXU1210006	With	Without	5	B	2,000	2,000

Packing Specifications

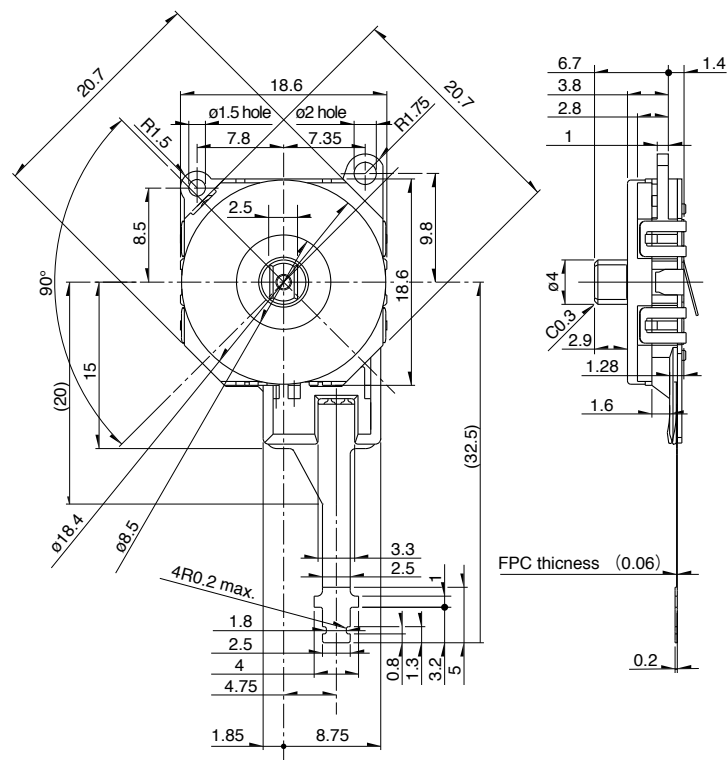
Tray

Number of packages (pcs.)		Export package measurements (mm)
1 case / Japan	1 case / export packing	
2,000	2,000	540×360×230

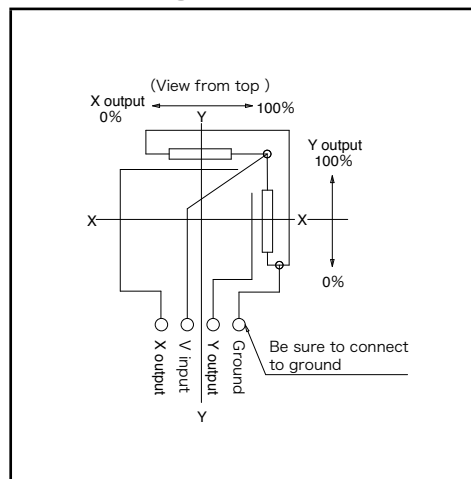
Dimensions

Unit:mm

Style



Circuit Diagram



Multi Control Devices

List of Varieties

Type		Potentiometer type			
Series		RKJXK	RKJXV	RKJXY	RKJXU
Photo					
Dimensions (typical value) (mm)	W	20.7	17.8	19.6	18.6
	D	25.4	21.3	18.1	24.3
	H	12.9	11.2	4.9	5.2
Number of operating shafts		Single-shaft			
Shaft material		Metal	Resin		
Directional resolution		Continuous			
Directional operating feeling (tactile feeling)		Without			
Lever return mechanism		With / Without	With		
Center-push switch		With / Without		Without	
Encoder		Without			
Operating temperature range		-10°C to +70°C			
Operating life	Directional operation	100,000 cycles	2,000,000 cycles	1,000,000 cycles	2,000,000 cycles
	Center-push	100,000 cycles	500,000 cycles	—	—
Automotive use		—	—	—	—
Life cycle (availability)					
Electrical performance	Insulation resistance	100MΩ min. 250V DC		—	—
	Voltage proof	250V AC for 1 minute		—	—
	Slider noise	300mV p-p max. by JIS method			
Mechanical performance	Directional operating force	8mN·m max. Without Lever return mechanism 6±4mN·m With Lever return mechanism	14±10mN·m	With knob type 0.43±0.25N (3.33±2.0mN·m) Without knob type 3.33±2.0mN·m	0.75±0.3N
	Push operating force	5.2±2.6N	7.4±3N	—	—
	Lever return precision	±5°			±0.1mm
	Actuator strength	Push / pull directions Operating direction	50N min. (Push/Pull)	98N min. (Push), 50N min. (Pull)	100N min. (Push), 49N min. (Pull)
0.3N·m			—	50N	
Environmental performance	Cold	-30°C 96h			
	Dry heat	80°C 96h			
	Damp heat	60°C, 90 to 95%RH 96h			
Page		428		431	432

Variable Resistor Type Multi Control Devices Soldering Conditions 433
 Variable Resistor Type Multi Control Devices Cautions 433

*Products marked with a are not recommended for new designs