

DATA SHEET

WIRELESS COMPONENTS
Ceramic Chip Antenna
ANT2112A010B0918A
CELLULAR-BAND
2112 Series



FEATURES

- Compact size
- High radiation efficiency
- Multi-band coverage
- Reflow process compatible
- RoHS compliant

APPLICATIONS

- Global cellular network devices
- Telematics
- Cellular broadband access
- M2M module

ORDERING INFORMATION

All part numbers are identified by the series, packing type, material, size, antenna type, working frequency and packing quantity.

PART NUMBER

ANT 2112 A 010 B 0918A
 (1) (2) (3) (4) (5) (6)

(1) PRODUCT

ANT = Antenna

(2) SIZE

2112=21×12 mm

(3) ANTENNA TYPE

L, F, A=Chip antenna

(4) SERIAL NO.

010

(5) PACKING STYLE

B = Bag

(6) WORKING FREQUENCY

0918 = 900 / 1800 MHz

PHYCOMP CTC

CAN4313284109181B / CAN4313218009181B

I2NC

431328410918

SPECIFICATION

Table 1

DESCRIPTION	VALUE
Centre Frequency	900/1800 MHz
Bandwidth	30 / 170 MHz (Typ.)
Polarization	Linear
Azimuth Beamwidth	Omni-directional
Peak Gain	0.5~1 dBi (Typ.)
Impedance	50 Ω
Operating Temperature	- 40~105 °C
Maximum Power	4W
Termination	Ag (Environmentally-Friendly Leadless)
Resistance to Soldering Heats	260°C , 10sec.

NOTE

1. The specification is defined on Yageo evaluation board

DIMENSIONS

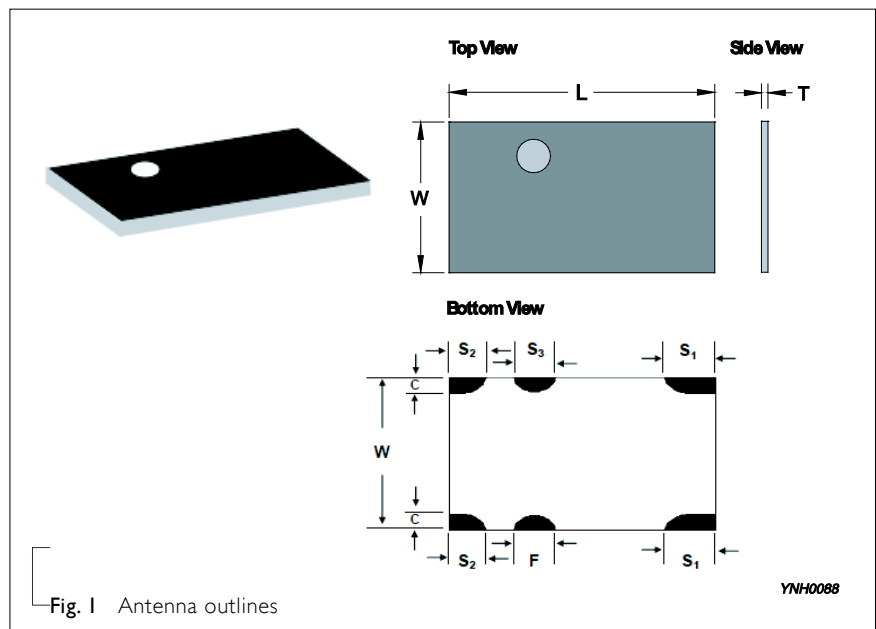
Table 2 Machinical Dimension

	DIMENSION
L (mm)	20.50 ± 0.25
W (mm)	11.8 ± 0.20
F (mm)	3.0 ± 0.25
C (mm)	1.00 ± 0.30
S1 (mm)	4.0 ± 0.35
S2 (mm)	2.8 ± 0.35
S3 (mm)	3.0 ± 0.35
T (mm)	0.5 ± 0.15

Table 3 Termination configuration

TERMINAL NAME	FUNCTION
F	Feeding Point

OUTLINES

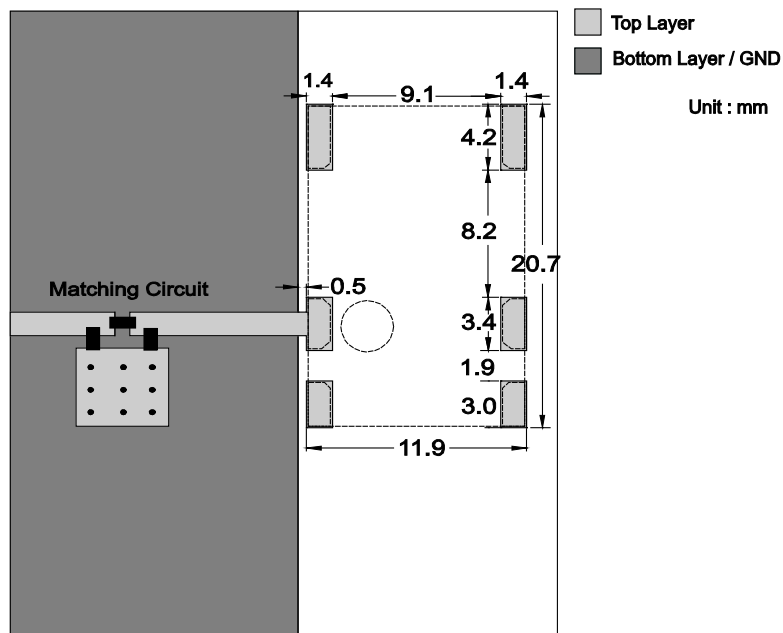


REFERENCE DESIGN OF EVALUATION BOARD



Unit : mm

Fig. 2 Outlook and dimension of evaluation board



YNH0089

Fig. 3 Details of soldering Pad

ELECTRICAL PERFORMANCES

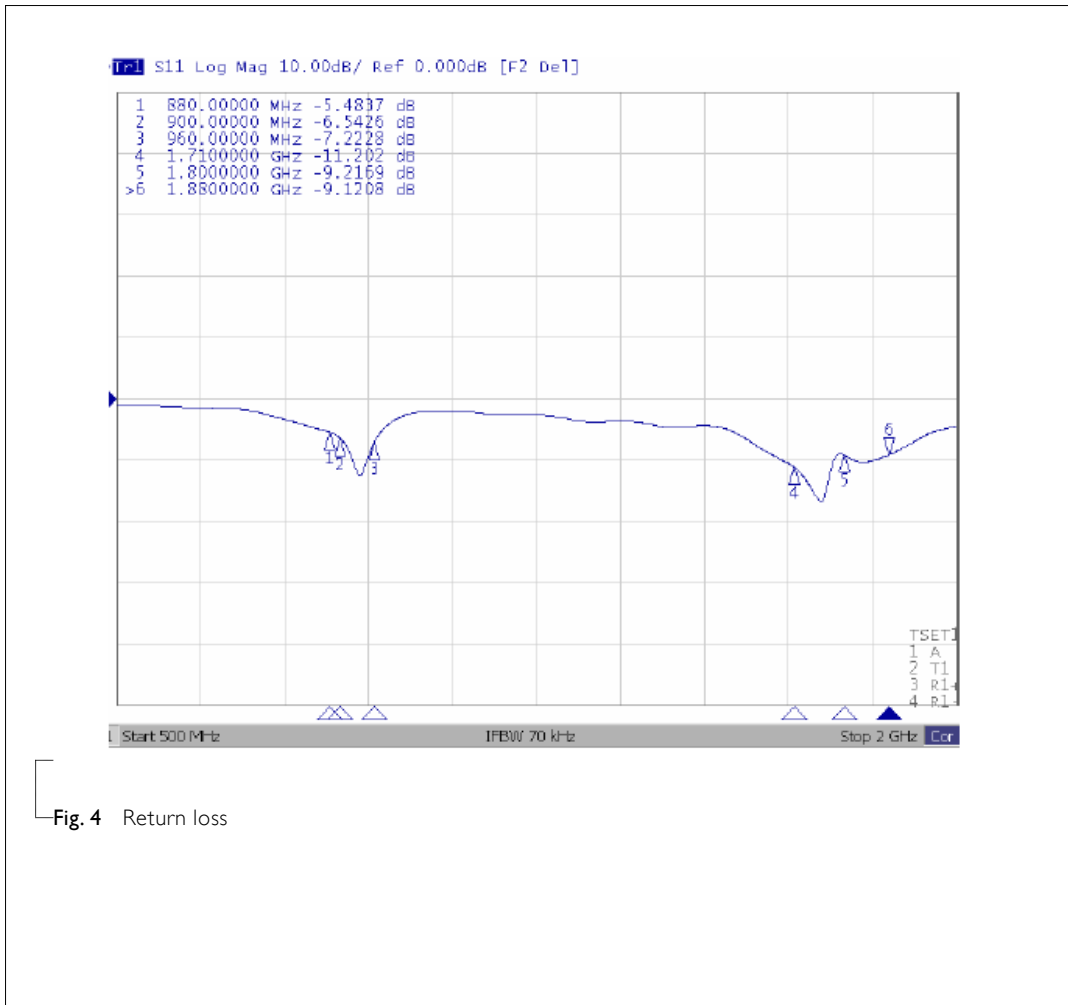
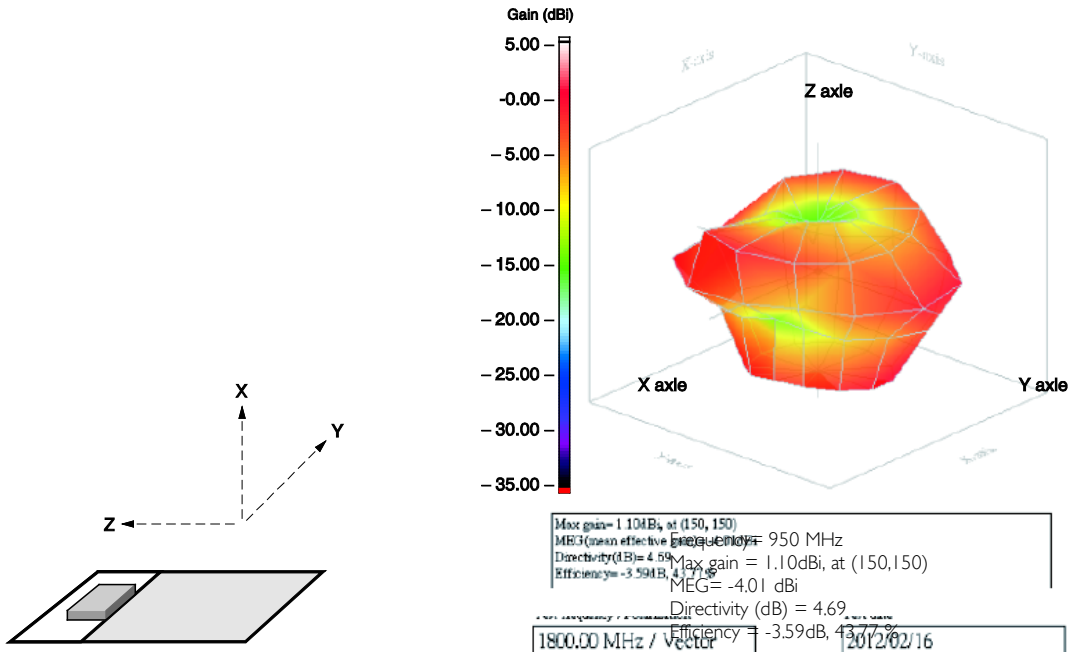


Fig. 4 Return loss



Evaluation board and XYZ direction

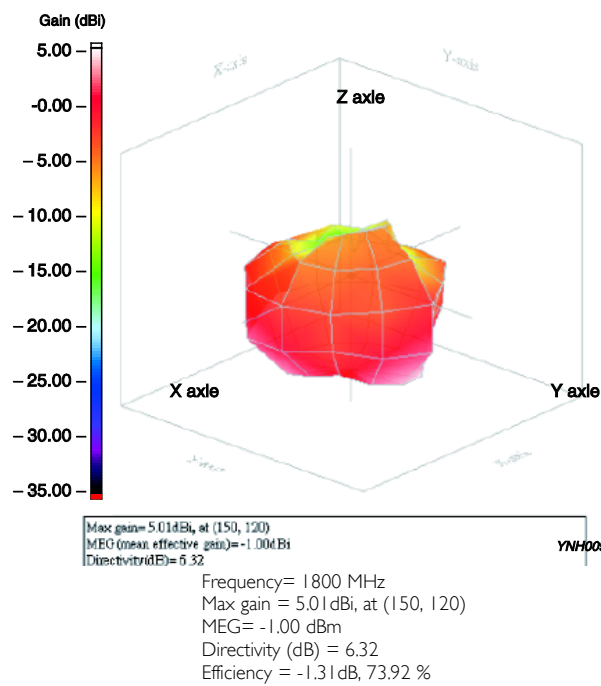
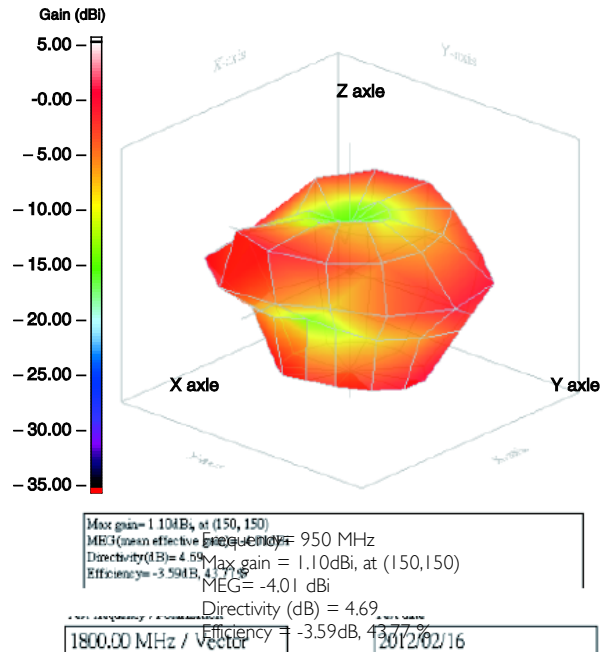


Fig. 5 Radiation pattern

REVISION HISTORY**REVISION** **DATE** **CHANGE NOTIFICATION** **DESCRIPTION**

Version 1	Feb. 05, 2013	-	- Dimensions update
-----------	---------------	---	---------------------

Version 0	Nov. 15, 2012	-	- New data sheet for SMD type antenna, 900 / 1800MHz application, 2112 series
-----------	---------------	---	---

Mouser Electronics

Authorized Distributor

Click to View Pricing, Inventory, Delivery & Lifecycle Information:

Yageo:

[ANT2112A010B0918A](#)