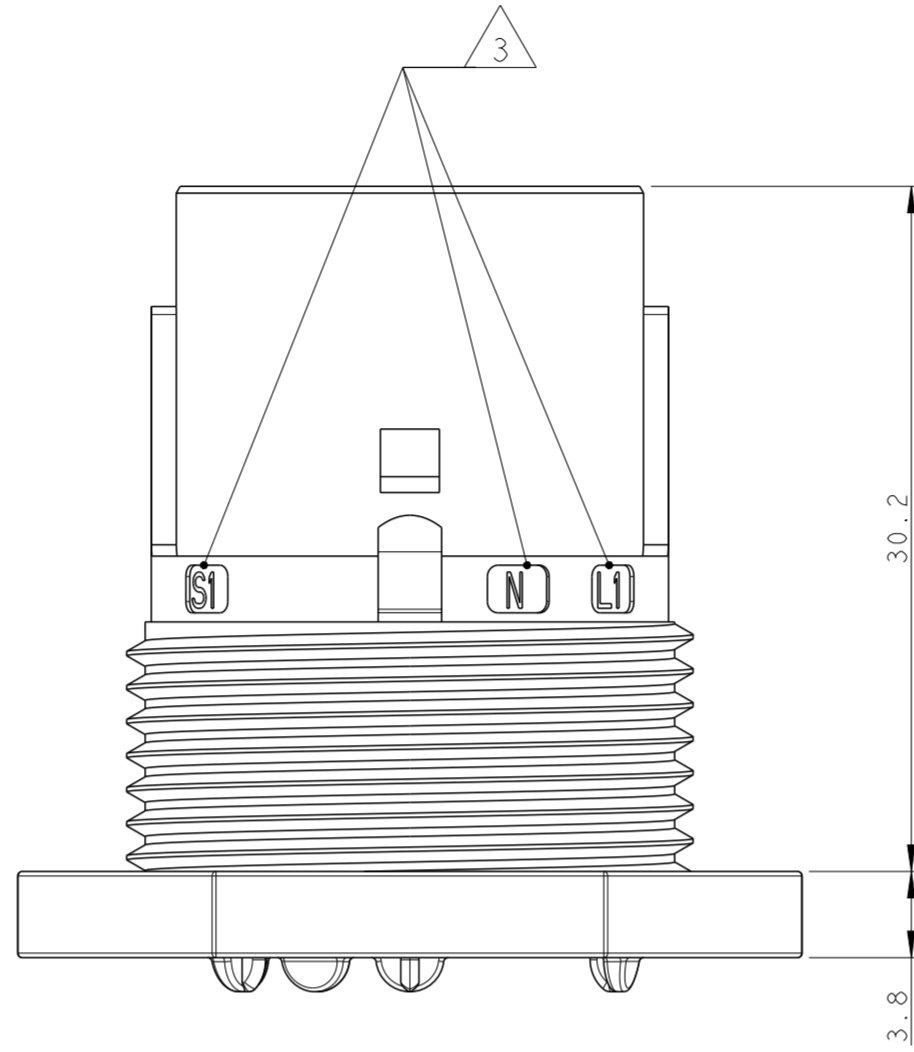
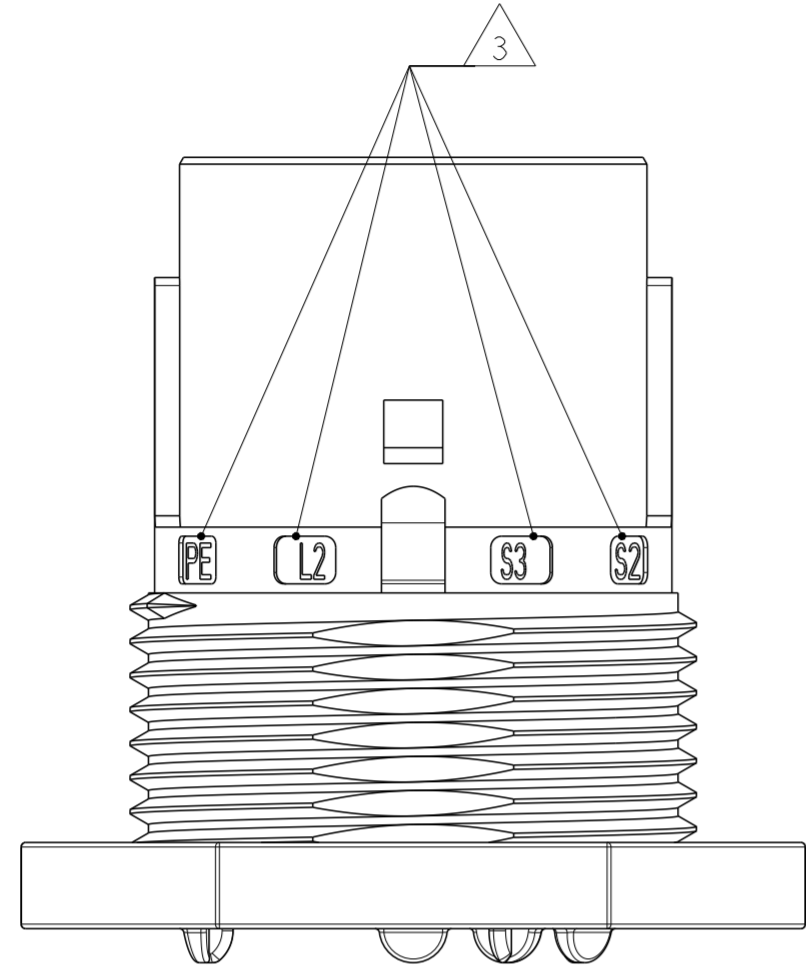


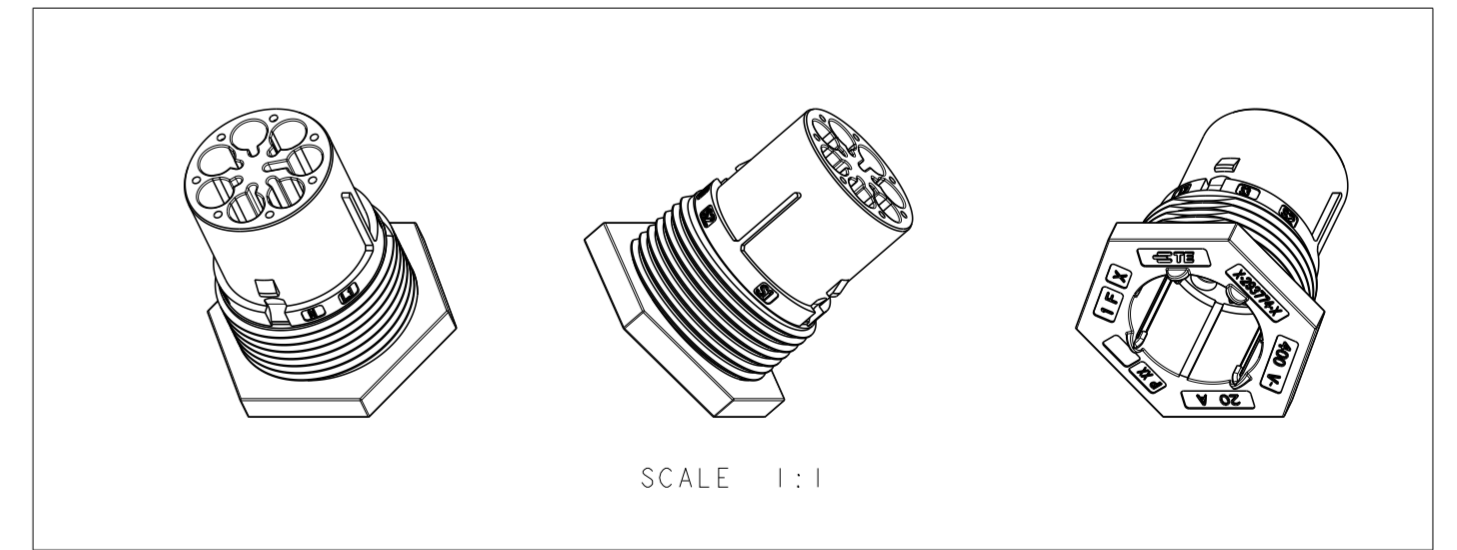
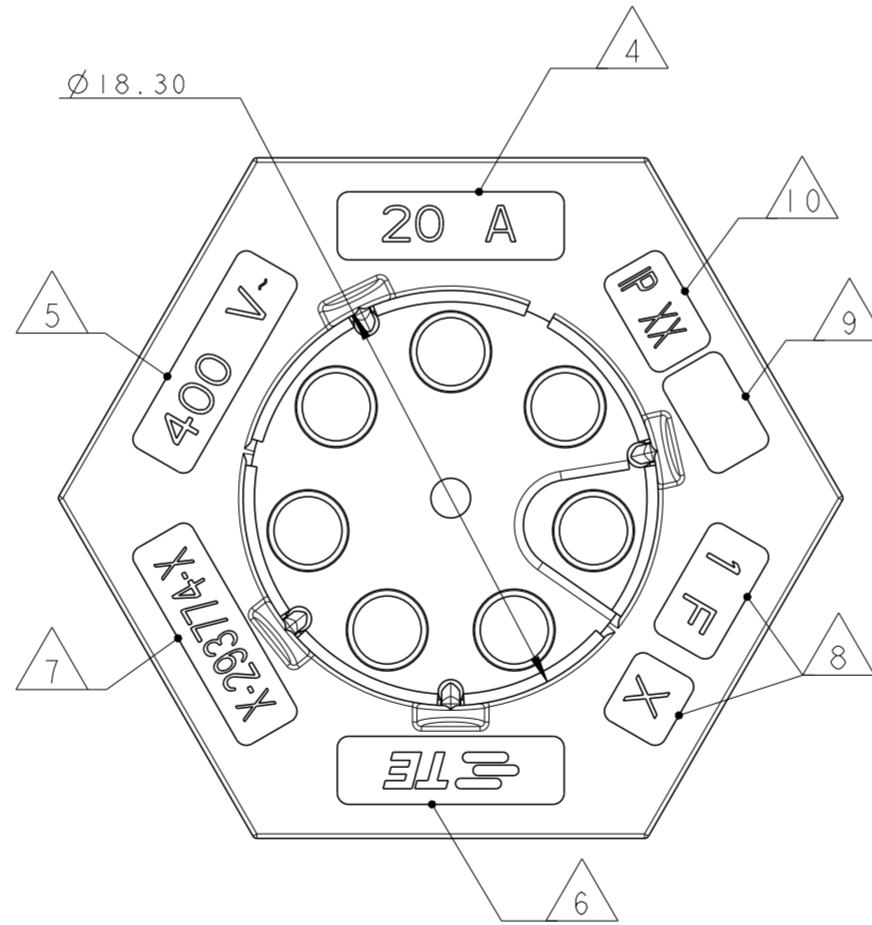
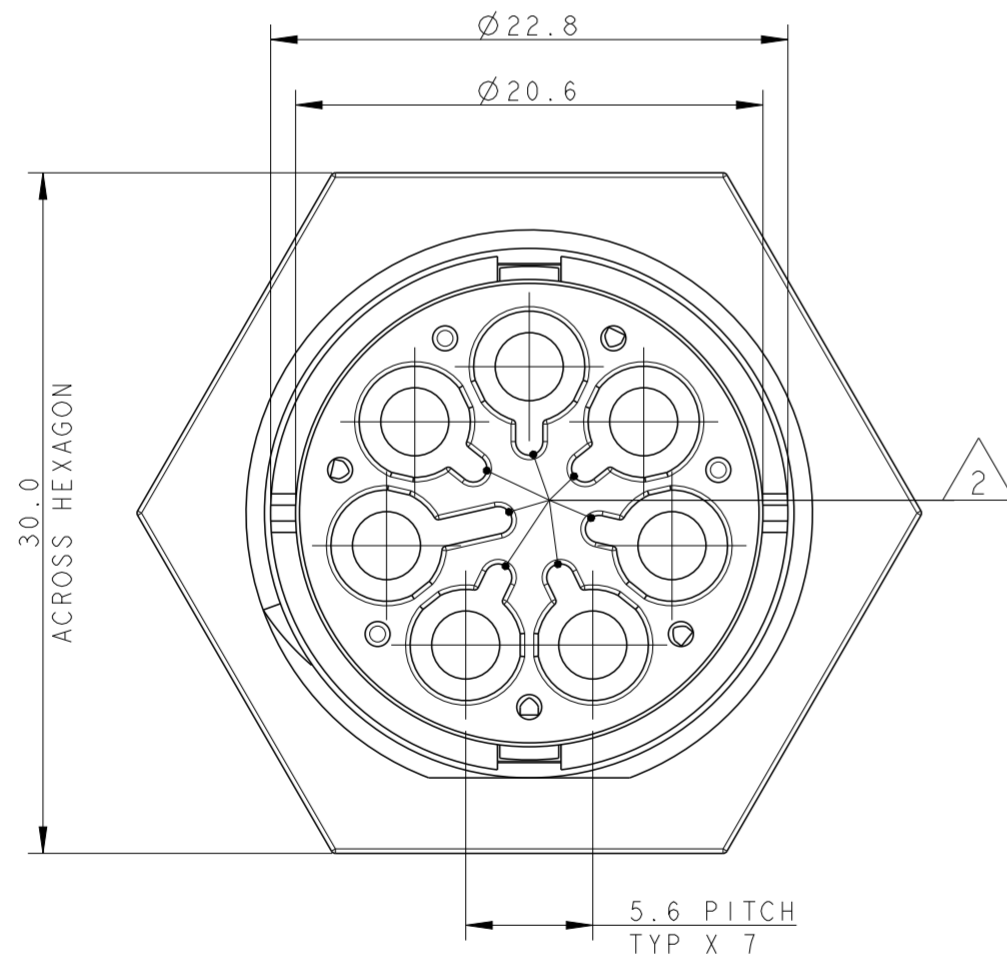
THIS DRAWING IS UNPUBLISHED. RELEASED FOR PUBLICATION 2011
 © COPYRIGHT 2011 BY - ALL RIGHTS RESERVED.

LOC		DIST		REVISIONS			
P	LTR	DESCRIPTION	DATE	DWN	APVD		
	2	UPDATED	02MAY2011	AB	GT		
	3	UPDATED	22JUL2013	MZ	JC		
	4	REVISED LATCH SHAPE	02AUG2013	KR	JC		
	A	PARTS RELEASED FOR PRODUCTION	14NOV2013	MZ	JC		



NOTES:

- 1 MATERIAL: PA GF (NATURAL AND BLACK COLOUR)
- 2 ALL POLARIZATION KEYS SHOWN FOR REF ONLY
- 3 WAYS I.D.
- 4 CURRENT RATING
- 5 VOLTAGE RATING
- 6 TE LOGO
- 7 TE PART NUMBER
- 8 DATA CODE AND CAVITY I.D.
- 9 AREA FOR AGENCIES APPROVAL LOGO
- 10 IP CODE



THIS DRAWING IS A CONTROLLED DOCUMENT.		DWN A. BERNARDI 31MAR2011	STE TE Connectivity	
DIMENSIONS: mm		CHK M. ZUCCA 31MAR2011		
TOLERANCES UNLESS OTHERWISE SPECIFIED:		APVD G. TURCO 31MAR2011	NAME PIN HOUSING 7 POLES PANEL MOUNT M-LINE NECTOR	
0 PLC ± 1 PLC ±0.3 2 PLC ±0.20 3 PLC ± 4 PLC ±		PRODUCT SPEC	SIZE CAGE CODE DRAWING NO RESTRICTED TO	
ANGLES ±3° FINISH		APPLICATION SPEC	A200779C-293774	
MATERIAL		WEIGHT	SCALE 3:1 SHEET 1 OF 3 REV A	
		Customer Drawing		

THIS DRAWING IS UNPUBLISHED. RELEASED FOR PUBLICATION 2011
 © COPYRIGHT 2011 BY - ALL RIGHTS RESERVED.

LOC	DIST	REVISIONS			
P	LTR	DESCRIPTION	DATE	DWN	APVD
-	-	SEE SHEET 1	-	-	-

POLARIZATION TYPES

POLARIZATION TYPE "A"	POLARIZATION TYPE "B"	POLARIZATION TYPE "C"
PNs 0-293774-1 AND 1-293774-1	PNs 0-293774-2 AND 1-293774-2	PNs 0-293774-3 AND 1-293774-3
POLARIZATION TYPE "D"	POLARIZATION TYPE "E"	
PNs 0-293774-4 AND 1-293774-4	PNs 0-293774-5 AND 1-293774-5	

TABLE 1

NOTE	POL. KEYING	COLOUR	DESCRIPTION	REV.	P/N
1	E	BLACK	PIN HSG 7 POLE PANEL MOUNT NECTOR* M-LINE	A	1-293774-5
1	D	BLACK	PIN HSG 7 POLE PANEL MOUNT NECTOR* M-LINE	A	1-293774-4
1	C	BLACK	PIN HSG 7 POLE PANEL MOUNT NECTOR* M-LINE	A	1-293774-3
1	B	BLACK	PIN HSG 7 POLE PANEL MOUNT NECTOR* M-LINE	A	1-293774-2
1	A	BLACK	PIN HSG 7 POLE PANEL MOUNT NECTOR* M-LINE	A	1-293774-1
1	E	NATURAL	PIN HSG 7 POLE PANEL MOUNT NECTOR* M-LINE	A	0-293774-5
1	D	NATURAL	PIN HSG 7 POLE PANEL MOUNT NECTOR* M-LINE	A	0-293774-4
1	C	NATURAL	PIN HSG 7 POLE PANEL MOUNT NECTOR* M-LINE	A	0-293774-3
1	B	NATURAL	PIN HSG 7 POLE PANEL MOUNT NECTOR* M-LINE	A	0-293774-2
1	A	NATURAL	PIN HSG 7 POLE PANEL MOUNT NECTOR* M-LINE	A	0-293774-1

THIS DRAWING IS A CONTROLLED DOCUMENT.

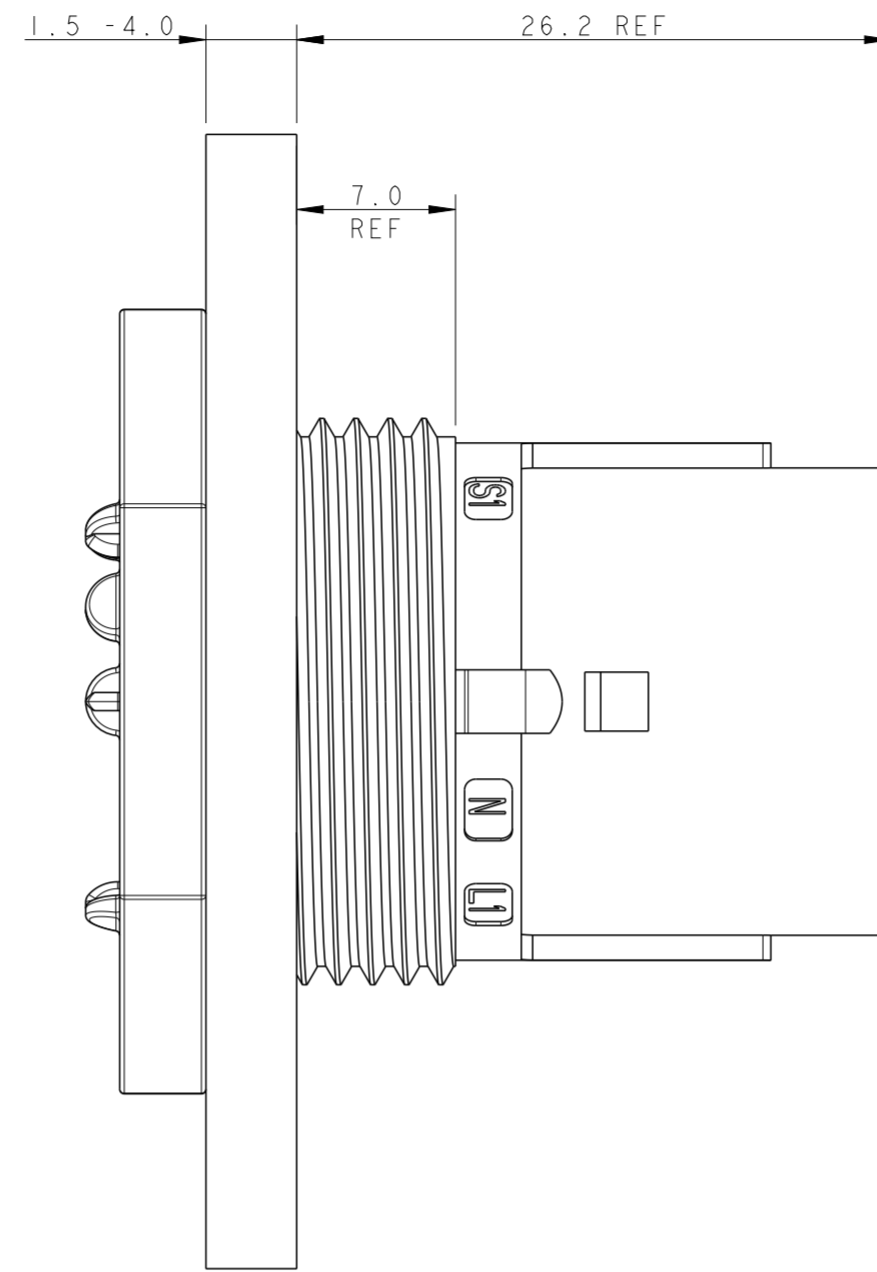
DIMENSIONS: mm	TOLERANCES UNLESS OTHERWISE SPECIFIED: 0 PLC ± 1 PLC ±0.3 2 PLC ±0.20 3 PLC ± 4 PLC ± ANGLES ±3° FINISH	DWN 31MAR2011 A. BERNARDI CHK 31MAR2011 M. ZUCCA APVD 31MAR2011 G. TURCO PRODUCT SPEC APPLICATION SPEC WEIGHT	TE Connectivity NAME PIN HOUSING 7 POLES PANEL MOUNT M-LINE NECTOR SIZE CAGE CODE DRAWING NO RESTRICTED TO A200779 C-293774 SCALE 3:1 SHEET 2 OF 3 REV A
----------------	--	---	--

Customer Drawing

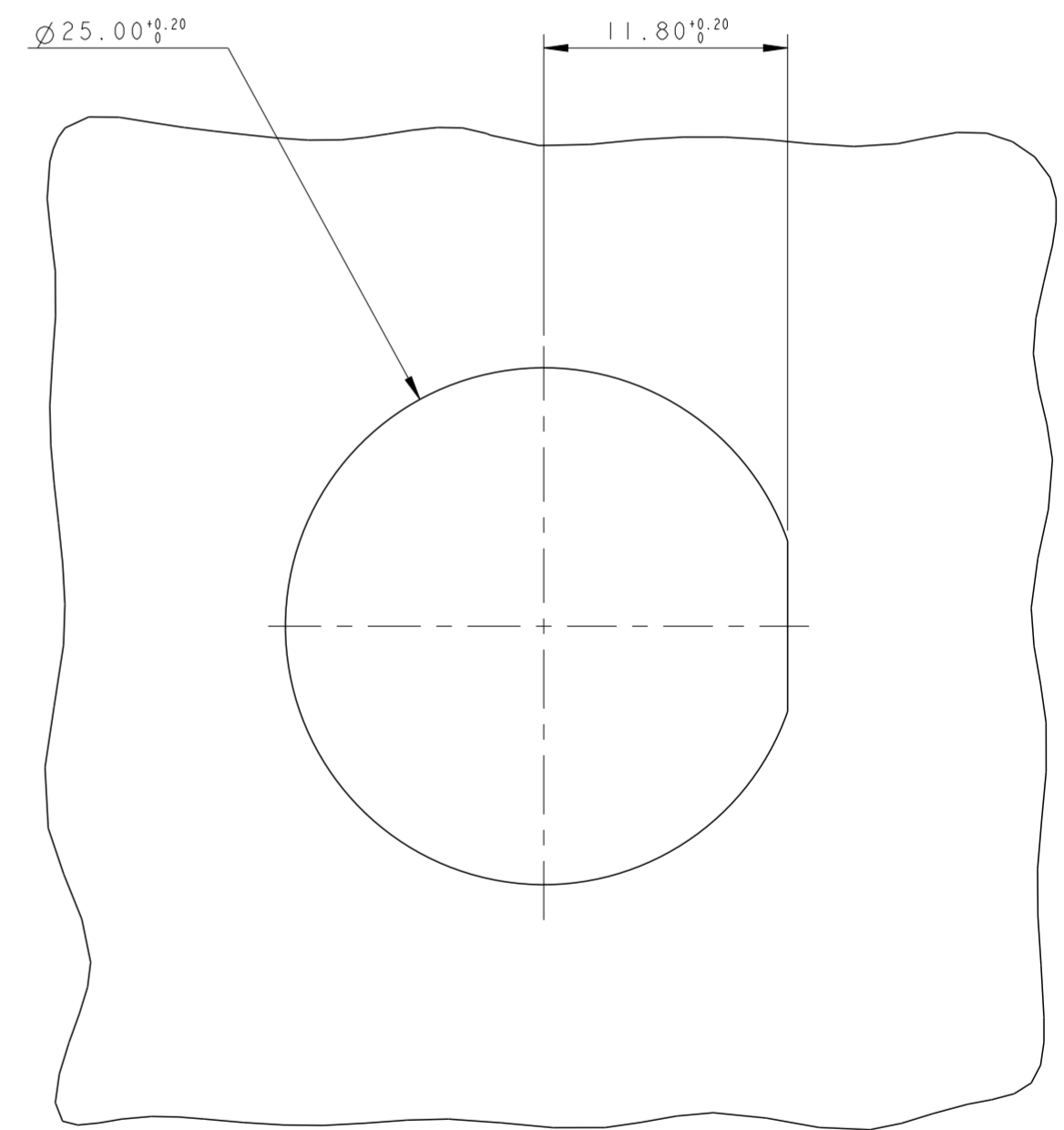
THIS DRAWING IS UNPUBLISHED. RELEASED FOR PUBLICATION 2011
 © COPYRIGHT 2011 BY - ALL RIGHTS RESERVED.

LOC		DIST		REVISIONS			
P	LTR	DESCRIPTION	DATE	DWN	APVD		
-	-	SEE SHEET 1	-	-	-		

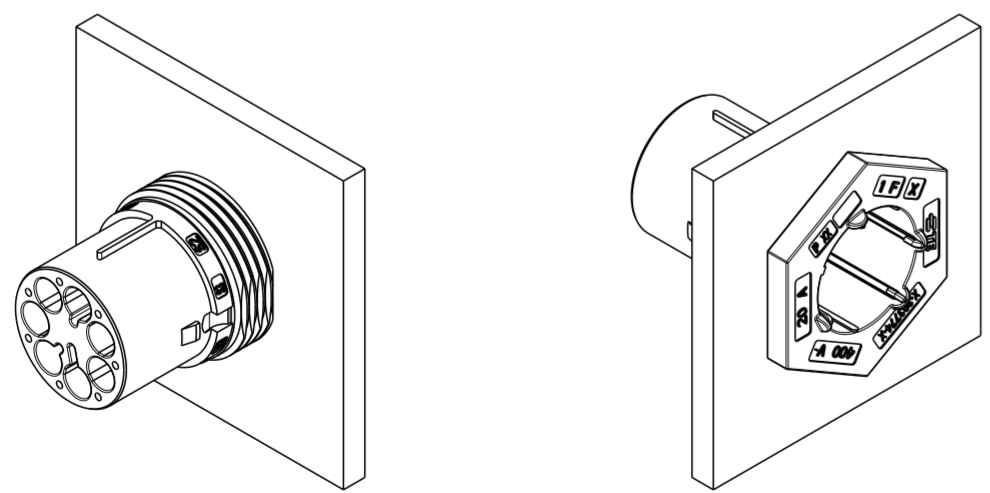
PN 293774-3 AS SHOWN




PANEL/WALL SUGGESTED LAYOUT



3D VIEWS FOR REFERENCE ONLY
 PN 293774-3 AS SHOWN



SCALE 1:1

THIS DRAWING IS A CONTROLLED DOCUMENT.		DWN A. BERNARDI 31MAR2011	 TE Connectivity	
DIMENSIONS: mm		CHK M. ZUCCA 31MAR2011		
TOLERANCES UNLESS OTHERWISE SPECIFIED:		APVD G. TURCO 31MAR2011	NAME PIN HOUSING 7 POLES PANEL MOUNT M-LINE NECTOR	
0 PLC ±	1 PLC ±0.3	PRODUCT SPEC	SIZE	RESTRICTED TO
2 PLC ±0.20	3 PLC ±	APPLICATION SPEC	CAGE CODE	
4 PLC ±	ANGLES ±3°	WEIGHT	DRAWING NO	
MATERIAL	FINISH	Customer Drawing	A200779	
		SCALE 3:1	C-293774	
		SHEET 3 OF 3	REV A	