

Selection Guide

Part No.	Dice	Lens Type	Iv (ucd) [1] @ 10mA		Description
			Min.	Typ.	
ACDA56-51CGKWA	Green (AlGaInP)	White Diffused	14000	26000	Common Anode

Note:

1. Luminous intensity/ luminous Flux: +/-15%.

Electrical / Optical Characteristics at TA=25°C

Symbol	Parameter	Device	Code.	Min.	Typ.	Max.	Units	Test Conditions
λ_{peak}	Peak Wavelength	Green			574		nm	I _F =20mA
λ_D [1]	Dominant Wavelength	Green	4	565		567	nm	I _F =20mA
			5	567		569		
			6	569		571		
$\Delta\lambda_{1/2}$	Spectral Line Half-width	Green			20		nm	I _F =20mA
C	Capacitance	Green			15		pF	V _F =0V;f=1MHz
V _F [2]	Forward Voltage	Green			2.1	2.5	V	I _F =20mA
I _R	Reverse Current	Green				10	uA	V _R =5V

Notes:

1. Wavelength: +/-1nm.

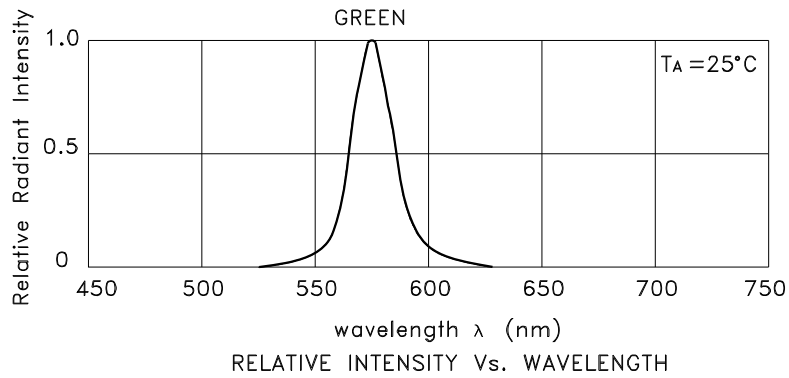
2. Forward Voltage: +/-0.1V.

Absolute Maximum Ratings at TA=25°C

Parameter	Green	Units
Power dissipation	75	mW
DC Forward Current	30	mA
Peak Forward Current [1]	150	mA
Reverse Voltage	5	V
Electrostatic Discharge Threshold (HBM)	3000	V
Operating / Storage Temperature	-40°C To +85°C	

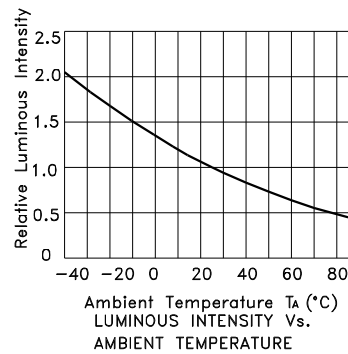
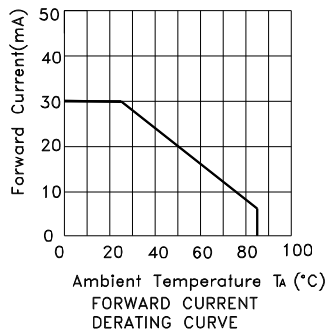
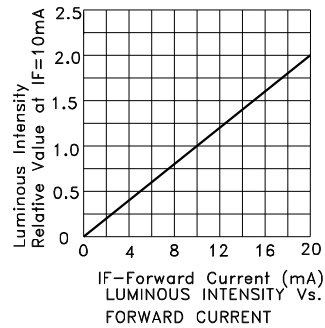
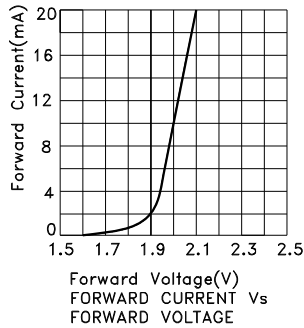
Note:

1. 1/10 Duty Cycle, 0.1ms Pulse Width.



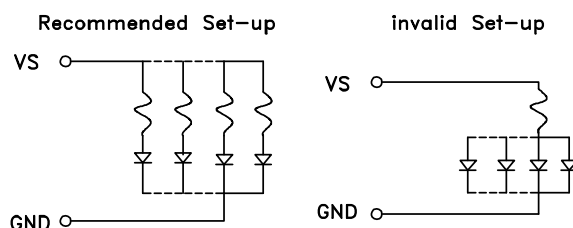
Green

ACDA56-51CGKWA



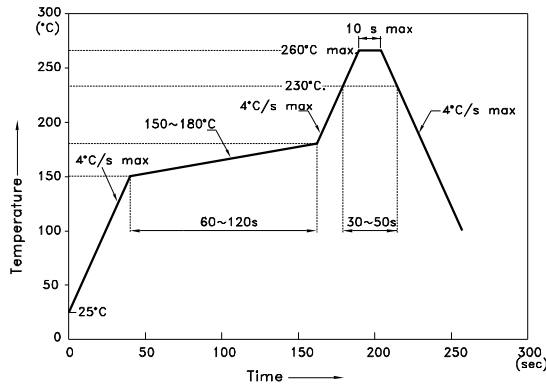
CIRCUIT DESIGN NOTES

1. Protective current-limiting resistors may be necessary to operate the Displays.
2. LEDs mounted in parallel should each be placed in series with its own current-limiting resistor.



ACDA56-51CGKWA

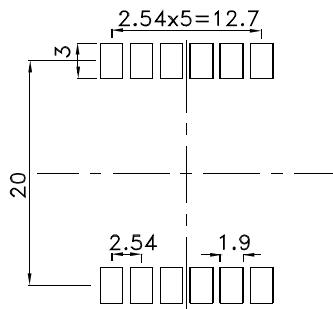
Reflow Soldering Profile For Lead-free SMT Process.



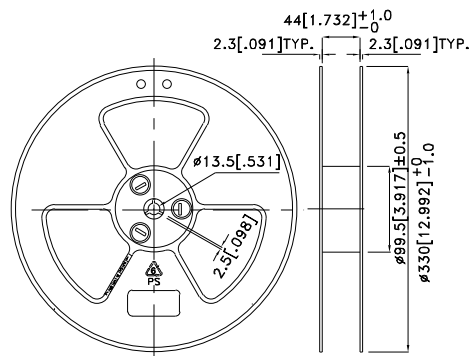
NOTES:

1. We recommend the reflow temperature 245°C (+/-5°C). The maximum soldering temperature should be limited to 260°C.
2. Don't cause stress to the epoxy resin while it is exposed to high temperature.
3. Number of reflow process shall be 2 times or less.

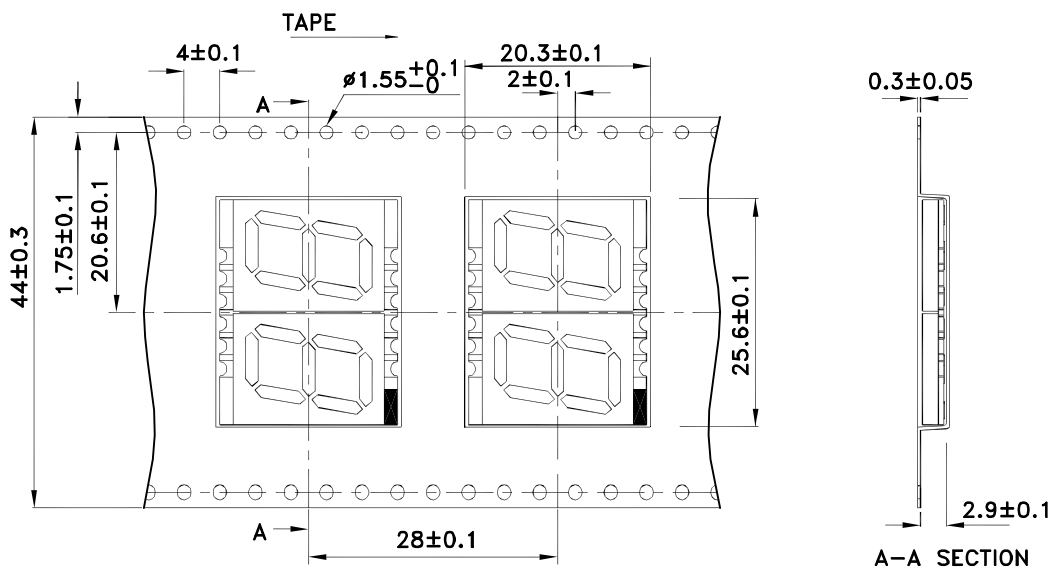
Recommended Soldering Pattern (Units : mm; Tolerance: ± 0.15)



Reel Dimension

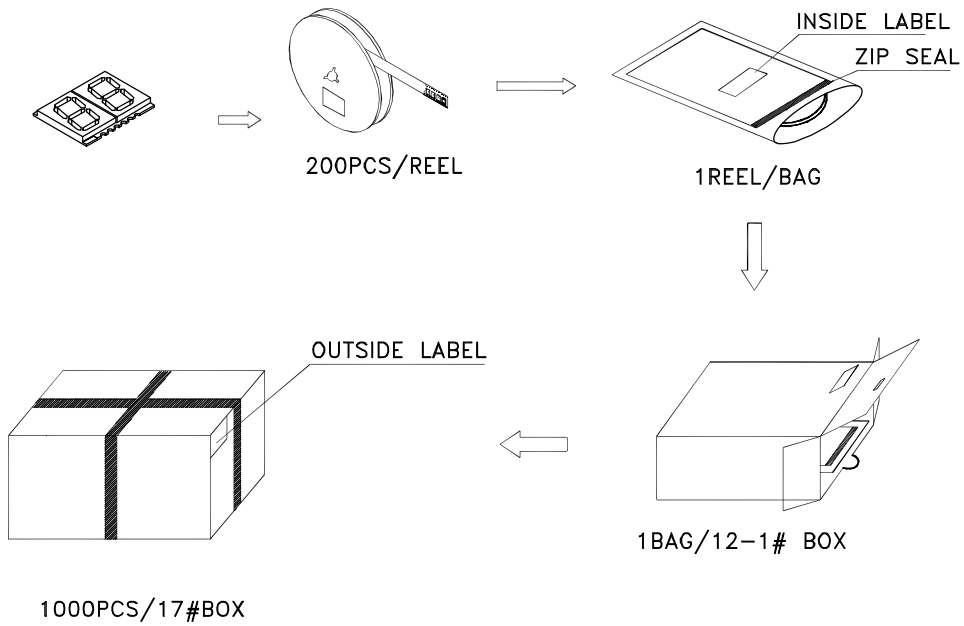


Tape Specifications (Units : mm)

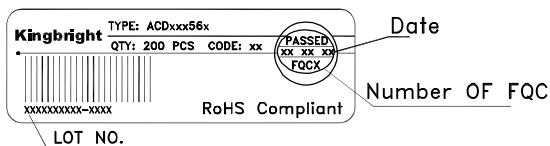


PACKING & LABEL SPECIFICATIONS

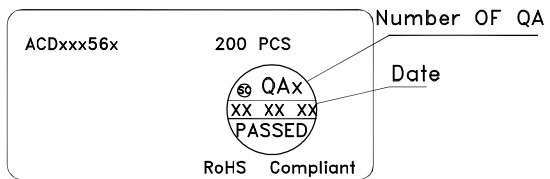
ACDA56-51CGKWA



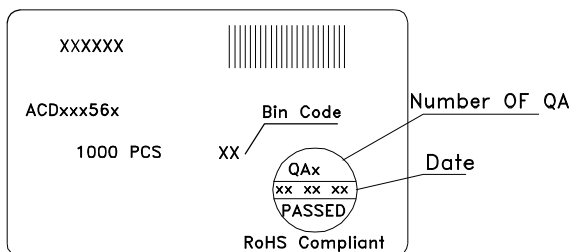
Inside LABEL On Tape



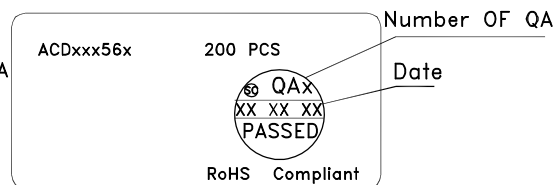
Outside LABEL On BAG



Outside LABEL On 17#Box



Outside LABEL On 12-1#Box



All design applications should refer to Kingbright application notes available at <http://www.KingbrightUSA.com/ApplicationNotes>