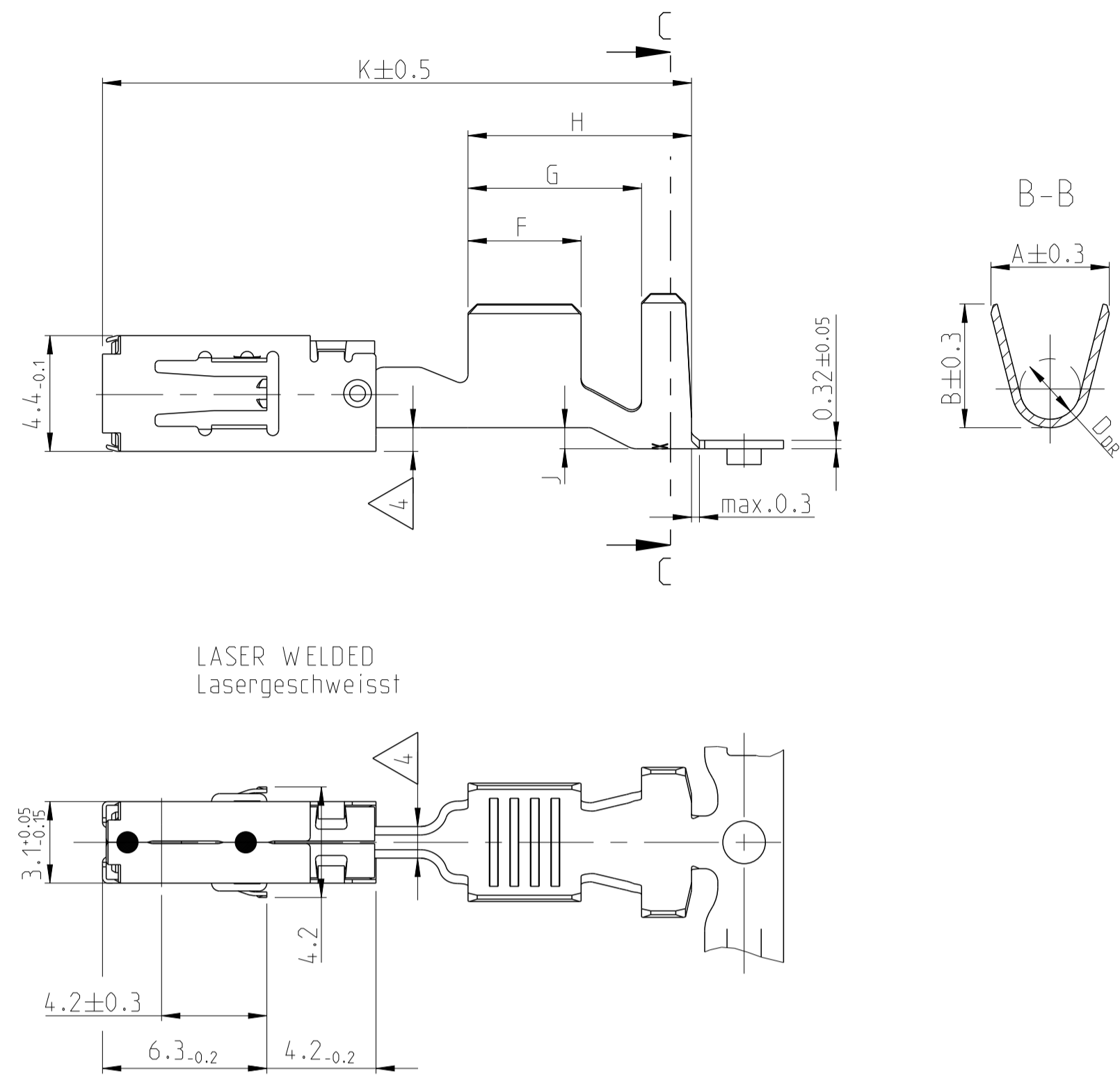
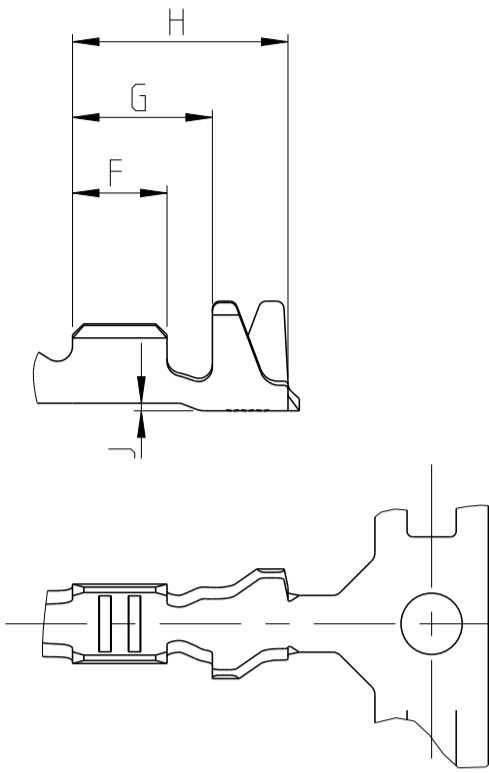


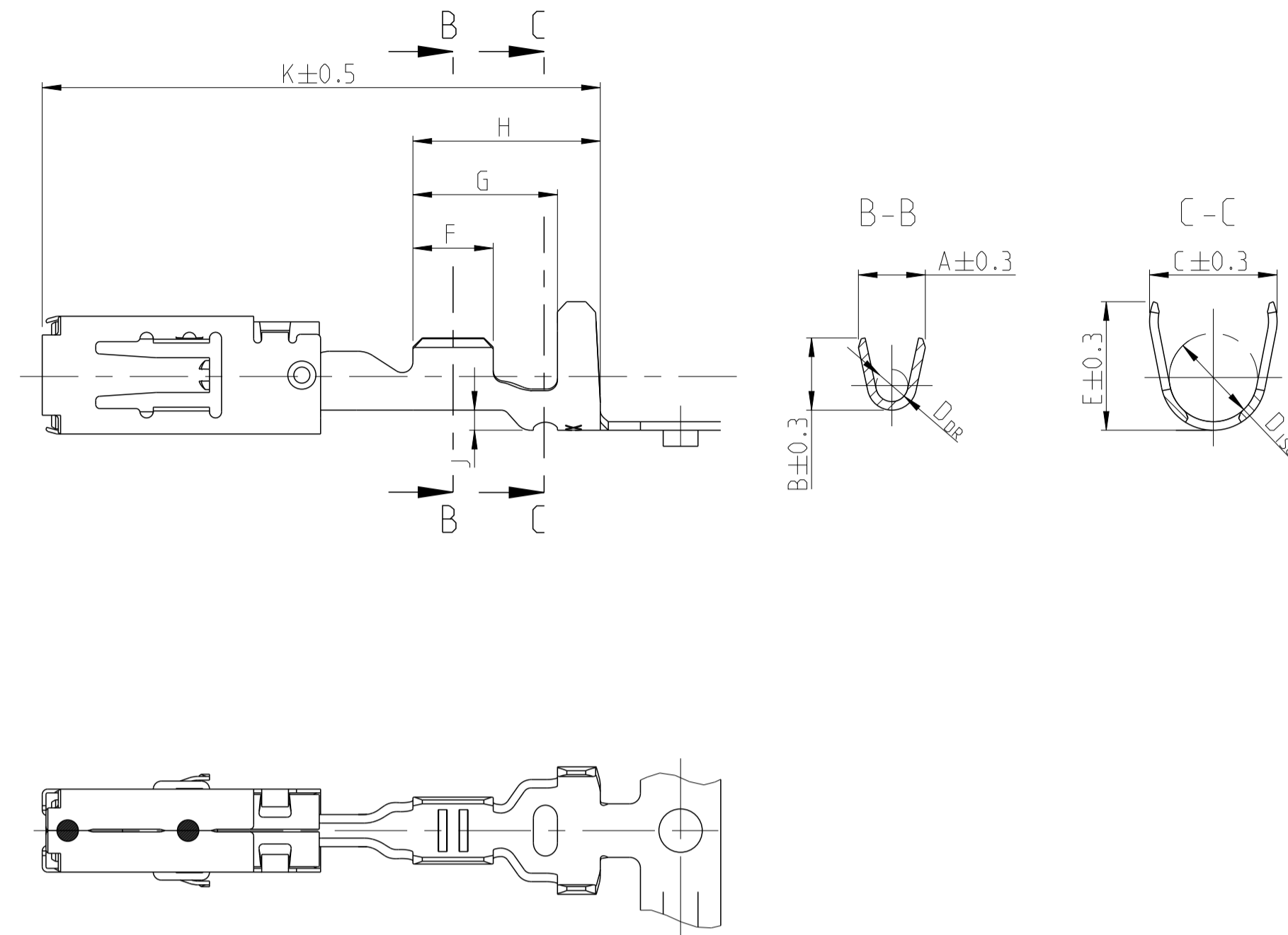
STANDARD CRIMP



ONLY FOR WIRE SIZE RANGE
Nur fuer DGB
0.2 ... 0.5 mm²



SINGLE WIRE SEAL Einzeldichtungssystem



REVISIONS					
P.	LTN	DESCRIPTION	DATE	DWN	APVD
J7	1-968855-4, 1-968857-4, 1-968859-4	REMOVED ECR-13-010695	20AUG2013	Leim	Leim
J8		DRAWING MISTAKE CORRECTED ECR-14-001420	30JAN2014	Abt	Leim
J9		DRAWING MISTAKE CORRECTED ECR-14-003309	05MAR2014	Bren	Leim
J10		ECR-14-010789	18JUL2014	Joas	Leim

VERSION	Ausfuhrung	ORDER-NO. STRIP-FORM	Bestell-Nr. Bandware	REV	MATERIAL	BODY	SPRING	SURFACE	WIRE SIZE RANGE	INSULATION DIAMETER	CRIMP DIMENSIONS / Crimpabmessungen mm											WEIGHT	SINGLE WIRE SEAL	TE CONNECTIVITY NO.	APPLICATION TOOLS
											A	B	D _{DR}	C	E	D _{ISO}	F	G	H	J	K				
SINGLE WIRE SEAL / Einzeldichtung	1-1719506-3	A	SILVER PLATED versilbert	12	3.0	4.0	4.2	2.0	5.0	5.0	3.5	3.5	5.9	7.5	0.8	21.0	0.59	828905-1	828922-1	SEE APPLICATION SPECIFICATION 114-18148 siehe Verarbeitungswerkzeuge					
	1-1719506-1	A	PRE TIN PLATED verzinkt	12	3.8	4.0	4.2	2.0	5.0	5.0	3.5	3.5	5.9	7.5	0.8	21.0	0.59	828905-1	828922-1						
	1-968859-3	E	SILVER PLATED versilbert	4	3.4	4.5	4.7	2.3	6.0	6.0	4.3	4.3	6.9	8.5	1.25	22.6	0.65	828985-1	828986-1						
	1-968859-2	-	GOLD PLATED vergoldet	4	3.7	4.5	4.7	2.3	6.0	6.0	4.3	4.3	6.9	8.5	1.25	22.6	0.65	828985-1	828986-1						
	1-968859-1	E	PRE TIN PLATED verzinkt	4	3.7	4.5	4.7	2.3	6.0	6.0	4.3	4.3	6.9	8.5	1.25	22.6	0.65	828985-1	828986-1						
	1-968857-3	E	SILVER PLATED versilbert	1.5	2.2	3.6	3.8	1.7	5.0	5.0	3.5	3.5	5.9	7.5	0.8	21.0	0.58	828905-1	828922-1						
	1-968857-2	D	GOLD PLATED vergoldet	2.5	3.0	3.6	3.8	1.7	5.0	5.0	3.5	3.5	5.9	7.5	0.8	21.0	0.58	828905-1	828922-1						
	1-968857-1	E	PRE TIN PLATED verzinkt	2.5	3.0	3.6	3.8	1.7	5.0	5.0	3.5	3.5	5.9	7.5	0.8	21.0	0.58	828905-1	828922-1						
	1-968855-3	E	SILVER PLATED versilbert	0.5	1.4	2.5	2.7	1.2	4.8	4.8	3.3	3.0	5.4	7.0	0.75	21.0	0.54	828904-1	828922-1						
	1-968855-2	E	GOLD PLATED vergoldet	1.0	2.1	2.5	2.7	1.2	4.8	4.8	3.3	3.0	5.4	7.0	0.75	21.0	0.54	828904-1	828922-1						
	1-968855-1	E	PRE TIN PLATED verzinkt	1.0	2.1	2.5	2.7	1.2	4.8	4.8	3.3	3.0	5.4	7.0	0.75	21.0	0.54	828904-1	828922-1						
	1-968882-3	E	SILVER PLATED versilbert	0.2	1.2	2.1	2.1	0.8	4.5	4.5	3.2	2.5	4.9	6.5	0.75	21.0	0.52	828904-1	828922-1						
	1-968882-2	E	GOLD PLATED vergoldet	0.5	1.4	2.1	2.1	0.8	4.5	4.5	3.2	2.5	4.9	6.5	0.75	21.0	0.52	828904-1	828922-1						
	1-968882-1	E	PRE TIN PLATED verzinkt	0.5	1.4	2.1	2.1	0.8	4.5	4.5	3.2	2.5	4.9	6.5	0.75	21.0	0.52	828904-1	828922-1						
	STANDARD CRIMP	1-968853-3	E	SILVER PLATED versilbert	4	2.7	4.5	4.7	2.3	5.7	5.9	3.3	4.3	6.6	8.5	0.8	22.6	0.65	-				-		
		1-968853-2	-	GOLD PLATED vergoldet	4	3.7	4.5	4.7	2.3	5.7	5.9	3.3	4.3	6.6	8.5	0.8	22.6	0.65	-				-		
1-968853-1		E	PRE TIN PLATED verzinkt	4	3.7	4.5	4.7	2.3	5.7	5.9	3.3	4.3	6.6	8.5	0.8	22.6	0.65	-	-						
1-968851-3		E	SILVER PLATED versilbert	1.5	2.2	3.6	3.8	1.7	4.6	4.8	2.6	3.5	5.1	6.7	0.3	20.2	0.56	-	-						
1-968851-2		E	GOLD PLATED vergoldet	2.5	3.0	3.6	3.8	1.7	4.6	4.8	2.6	3.5	5.1	6.7	0.3	20.2	0.56	-	-						
1-968851-1		E	PRE TIN PLATED verzinkt	2.5	3.0	3.6	3.8	1.7	4.6	4.8	2.6	3.5	5.1	6.7	0.3	20.2	0.56	-	-						
1-968849-3		E	SILVER PLATED versilbert	0.5	1.4	2.5	2.7	1.2	3.3	3.5	1.8	3.0	4.6	6.2	0.2	20.2	0.51	-	-						
1-968849-2		E	GOLD PLATED vergoldet	1.0	2.1	2.5	2.7	1.2	3.3	3.5	1.8	3.0	4.6	6.2	0.2	20.2	0.51	-	-						
1-968849-1	E	PRE TIN PLATED verzinkt	1.0	2.1	2.5	2.7	1.2	3.3	3.5	1.8	3.0	4.6	6.2	0.2	20.2	0.51	-	-							
1-968880-3	E	SILVER PLATED versilbert	0.2	1.2	2.1	2.1	0.8	2.9	2.9	1.4	2.5	3.7	5.7	0.2	20.2	0.48	-	-							
1-968880-2	-	GOLD PLATED vergoldet	0.5	1.4	2.1	2.1	0.8	2.9	2.9	1.4	2.5	3.7	5.7	0.2	20.2	0.48	-	-							
1-968880-1	E	PRE TIN PLATED verzinkt	0.5	1.4	2.1	2.1	0.8	2.9	2.9	1.4	2.5	3.7	5.7	0.2	20.2	0.48	-	-							

- NOTES:
Bemerkungen:
- MATING PART SEE INTERFACE DRAWING
TE-NO.: 114-18230-002
Gegenstecker nach Ausfuhrungsvorschrift
TE-Nr.: 114-18230-002
 - SURFACE:
- PRE TIN PLATED 1 TO 3 µm
- GOLD PLATED MIN. 2 µm (ONLY CONTACT AREA)
- SILVER PLATED 3 TO 5 µm (ONLY CONTACT AREA)
Oberflaeche:
- verzinkt 1 bis 3 µm
- vergoldet min. 2 µm (nur Kontaktzone)
- versilbert 3 bis 5 µm (nur Kontaktzone)
 - DOUBLE CRIMPS ARE ONLY POSSIBLE WITH
APPLICATORS AUTHORIZED BY TE (NO HAND TOOL)
SUITABLE TOOLS ON REQUEST
Doppelanschlaege sind nur mit von TE zugelassenen
Anschlagwerkzeugen moeglich (keine Handzangen)
passende Werkzeuge auf Anfrage
 - GAUGE INSPECTION
Lehrenpruefung
 - DETAILS OF DESIGN ARE LEFT TO MANUFACTURER
Einzelheiten der Ausfuhrung bleiben dem Hersteller ueberlassen
 - ONLY GERMAN LANGUAGE VERSION SHALL BE BINDING
Massgebend ist der deutsche Text
 - PUNCHING OIL RAZIOL CLF 11 SG
Stanzuel:

THIS DRAWING IS A CONTROLLED DOCUMENT.		DWN S. Blidar 22SEP97	 TE Connectivity PRODUCT GROUP DRAWING FOR Tabellenzeichnung fuer AMP MCP 2.8
DIMENSIONS: mm		CHK G. Hotea 22SEP97	
TOLERANCES UNLESS OTHERWISE SPECIFIED: ±0.2		APVD J. Woller 22SEP97	
MATERIAL		NAME	
APPLICATION SPEC		108-18513	SIZE
MATERIAL FINISH		114-18148	CAGE CODE
WEIGHT		Customer Drawing	SCALE
Customer Drawing		1 of 1	REV