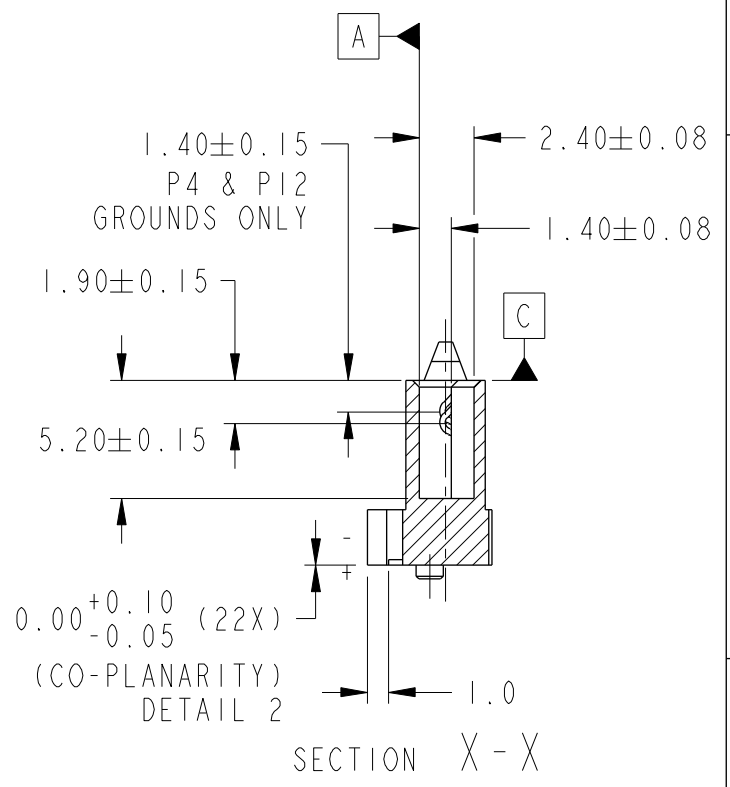
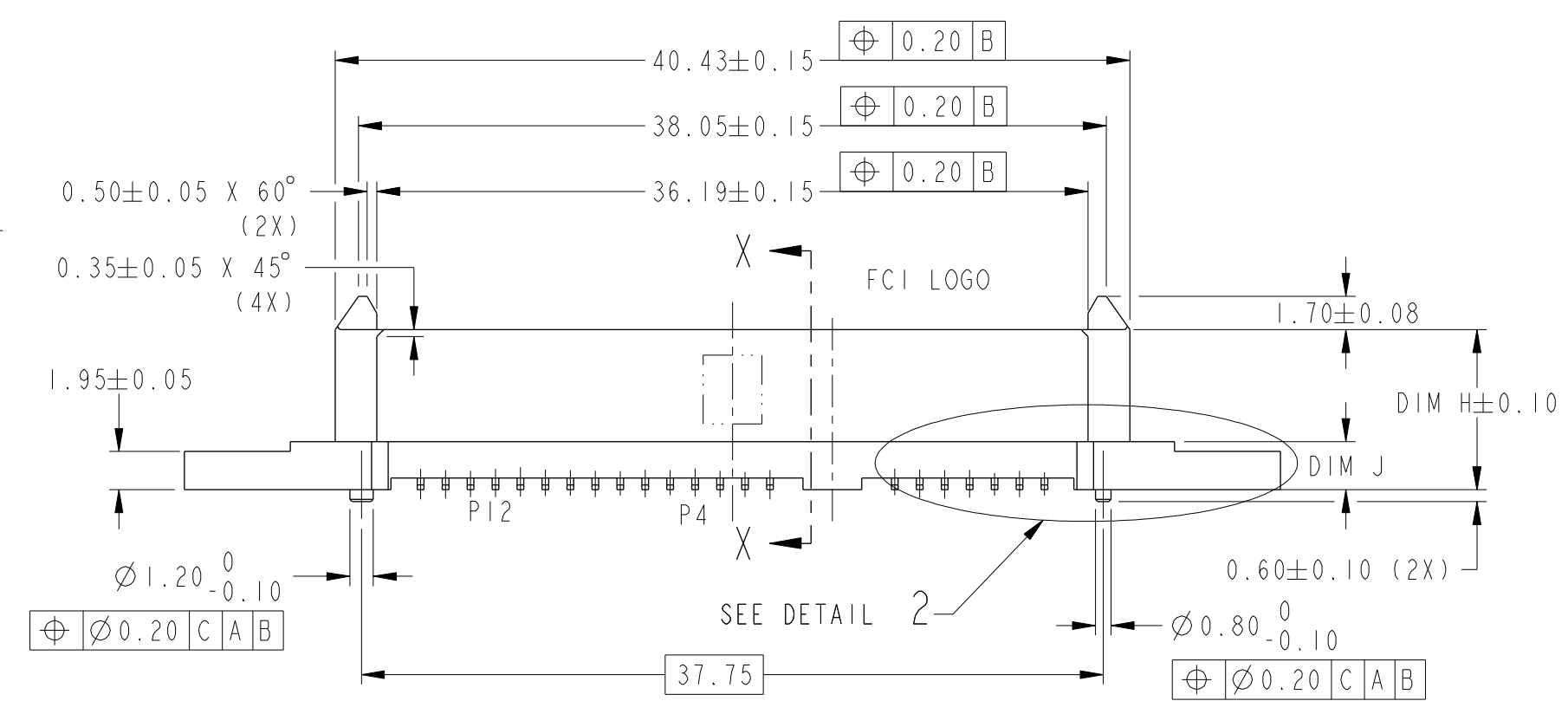
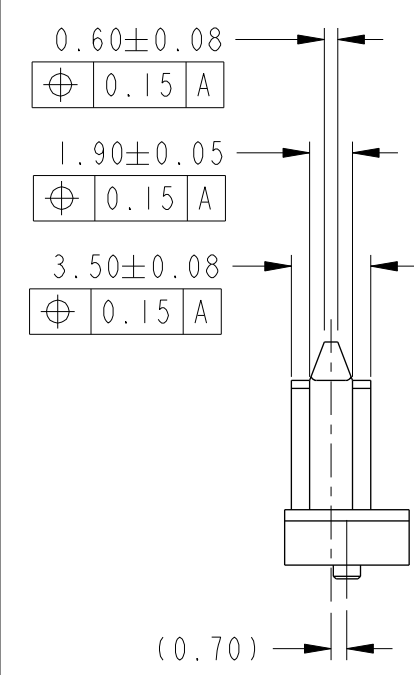
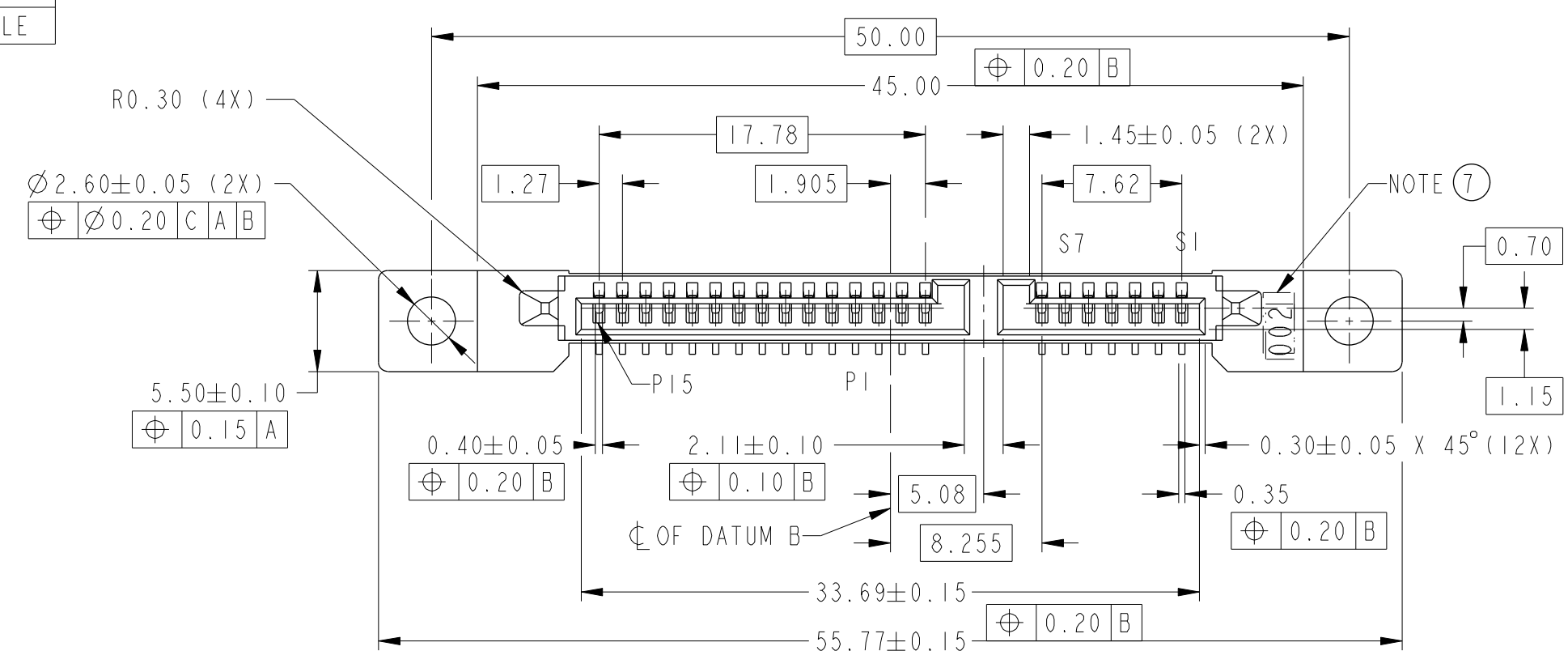


PRODUCT NO
SEE TABLE

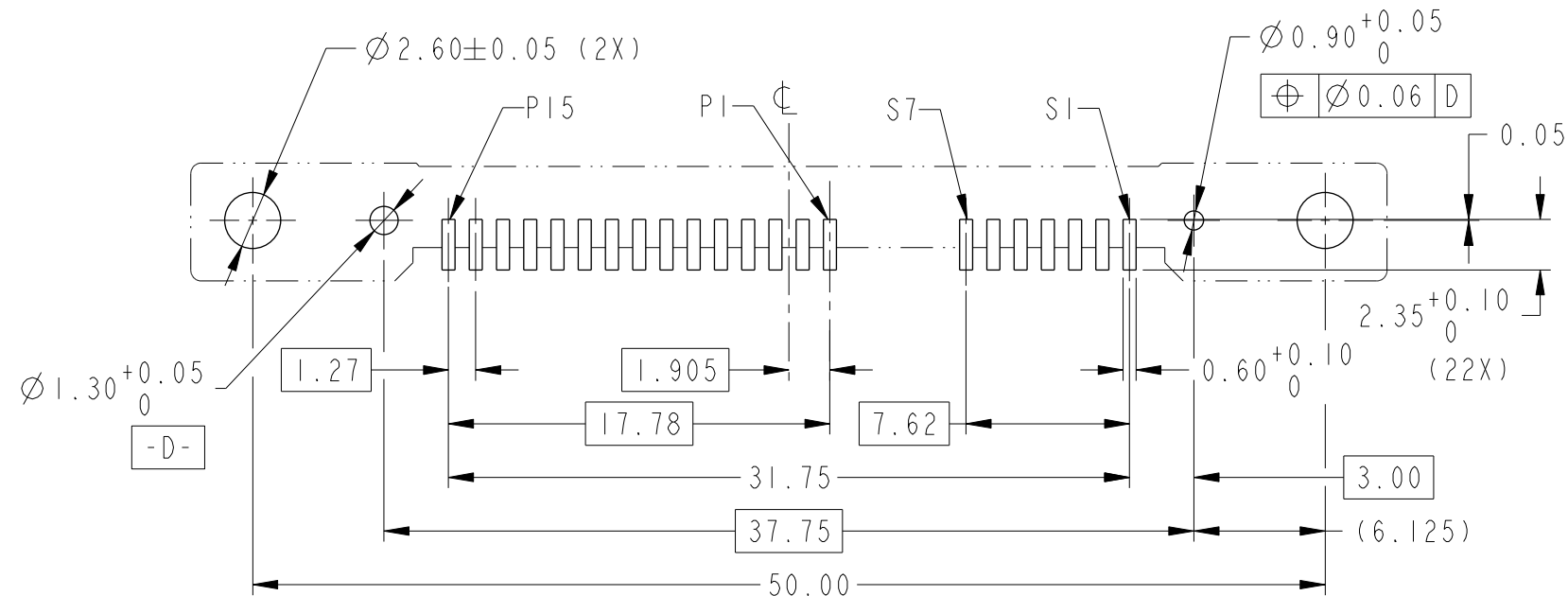


Amphenol
FCi

© 2016 AFCI

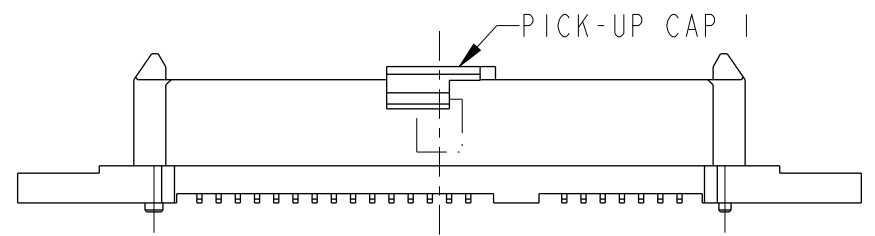
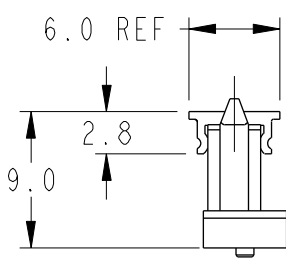
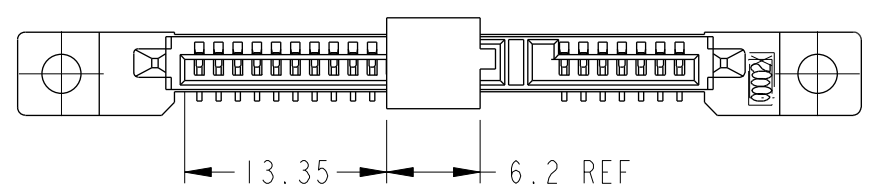
| | | | | | | | | | | | | |
|---------------|---------------------|-----|--------------|-------------------------|------------|-------|---|---------------|----------------|----------|-----------|----------|
| spec ref | - | dr | Louis Ng | 2011/10/03 | projection | MM | size | A3 | scale | 3:1 | | |
| tolerance std | ISO 406 ISO 1101 | eng | Noorhazlinda | 2017/03/16 | | | ecn no | ELX-M-25503-1 | rel level | Released | | |
| surface | linear | chr | - | appr | | | Koon-Poh Tay | 2017/04/03 | product family | S-ATA | rel level | Released |
| | angular | 0° | ±3° | Amphenol FCi | | title | S-ATA COMB RECEP. VERTICAL SMT TYPE ASSY | | dwg no | 10045103 | rev | H |
| ISO 1302 | 0.X | ±- | 0.XX | ±0.20 | cat. no. | - | Product - Customer Drw | | sheet 1 of 3 | | | |
| | 0.XXX | ±- | | | | | | | | | | |

| PRODUCT NO | DIM H | DIM J | PICK-UP CAP | PACKAGING |
|--------------------|-------|-------|-------------|-------------|
| 10045103-001LF | 8.15 | 2.45 | NO | TRAY |
| 10045103-001CLF | | | YES | TRAY |
| 10045103-001C-TRLF | | | YES | TAPE & REEL |
| 10045103-002LF | 8.45 | 2.75 | NO | TRAY |
| 10045103-002CLF | | | YES | TRAY |
| 10045103-002C-TRLF | | | YES | TAPE & REEL |
| 10045103-002ILF | 8.45 | 2.75 | YES | TRAY |
| 10045103-002I-TRLF | | | YES | TAPE & REEL |

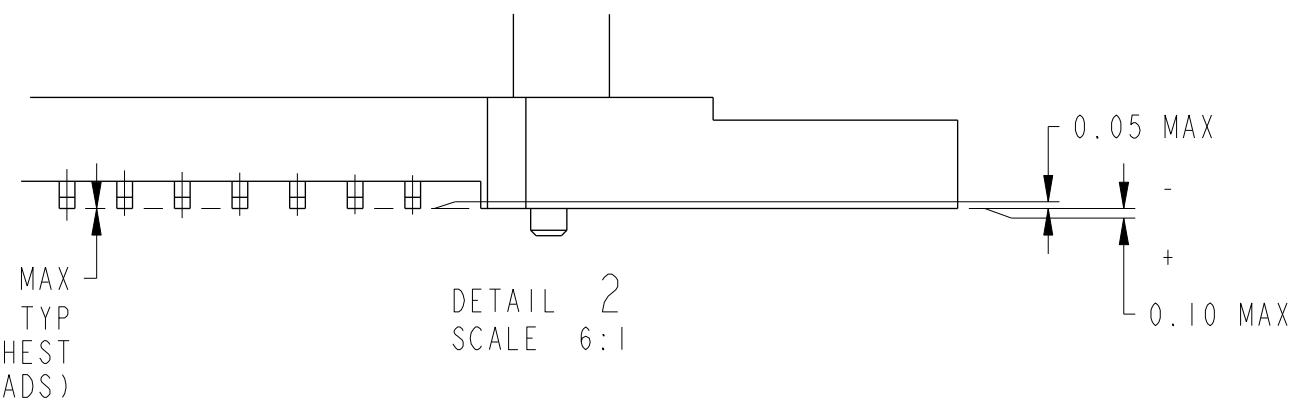
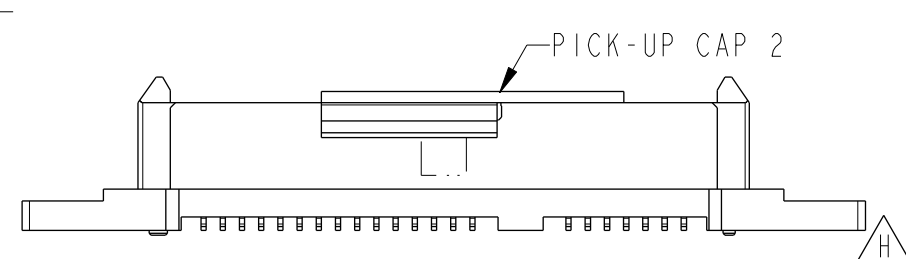
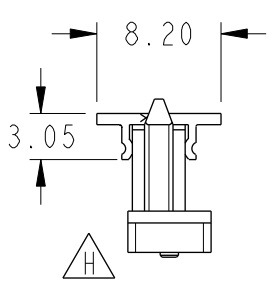


RECOMMENDED PCB LAYOUT

10045103-001/002C



10045103-002I



DETAIL 2
SCALE 6:1

PART WITH PICK-UP CAP, SEE NOTE 8
SCALE 2:1

| | | | | | | | | | | | | |
|---------------|---------------------|-----|--------------|---------------------|------------|------------------------|---|---------------|----------------|----------|-----|---|
| spec ref | - | dr | Louis Ng | 2011/10/03 | projection | MM | size | A3 | scale | 3:1 | | |
| tolerance std | ISO 406 ISO 1101 | eng | Noorhazlinda | 2017/03/16 | | | ecn no | ELX-M-25503-1 | rel level | Released | | |
| surface | linear | chr | - | appr | | | Koon-Poh Tay | 2017/04/03 | product family | S-ATA | | |
| | angular | 0° | ±3° | Amphenol FCI | | title | S-ATA COMB RECEP. VERTICAL SMT TYPE ASSY | | dwg no | 10045103 | rev | H |
| | | | | cat. no. | - | Product - Customer Drw | | sheet 2 of 3 | | | | |

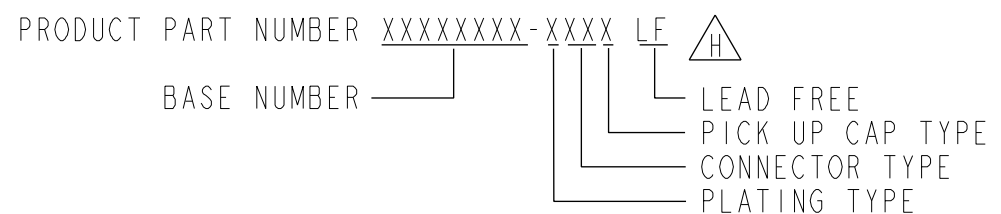
Amphenol FCI
© 2016 AFCI

NOTES:

- 1. THIS PRODUCT MEETS THE SATA SPEC REV. 1.0a
- 2. MATERIAL :
 - 1) HOUSING : HIGH TEMP THERMOPLASTIC, UL 94V-0
 - COLOR : BLACK
 - 2) TERMINAL : COPPER ALLOY
 - 3) HOLD DOWN : COPPER ALLOY
- 3. FINISH :
 - 1) TERMINAL : 30µ" Au PLATING (CONTACT POINT) OVER 50µ" NICKEL
 - 2) SOLDER TAIL : 100µ" MIN Sn OVER 50µ" NICKEL
 - 3) HOLD DOWN : 100µ" MIN Sn OVER 50µ" NICKEL
- 4. THE HOUSING WILL WITHSTAND EXPOSURE TO 260° C PEAK TEMPERATURE FOR 10 SECONDS IN A CONVECTION, INFRA-RED OR VAPOR PHASE REFLOW OVEN.
- ⑤ THIS PRODUCT MEETS EUROPEAN UNION DIRECTIVES AND OTHER COUNTRY REGULATIONS AS DESCRIBED IN GS-22-008.
- ⑥ THE STD PACKAGING IS IN TRAY UNLESS OTHERWISE SPECIFIED.
- ⑦ IDENTIFICATION NUMBER FOR CONNECTOR HOUSING.
- ⚠ ⑧ PART WITH PICK-UP CAP, P/N XXXXXXXX-XXXX LF
- ⚠ ⑨ FOR TAPE & REEL PACKAGING, SUFFIX "-TR" ADDED. P/N XXXXXXXX-XXXX-TR LF
- ⑩ A ⚠ SYMBOL WILL BE NEXT TO ANY DIMENSION, VIEW, OR NOTE WHICH HAS BEEN MODIFIED WITH THE CURRENT DRAWING REVISION.

Amphenol FCI

© 2016 AFCI



| | | | | | | | | | |
|--------------------------------------|--|---------------------------------------|--|------------------------------|--|---|--|----------------------|--|
| spec ref - | | dr Louis Ng 2011/10/03 | | projection | | size A3 | | scale 2:1 | |
| tolerance std ISO 406 ISO 1101 | | TOLERANCES UNLESS OTHERWISE SPECIFIED | | eng Noorhazlinda 2017/03/16 | | MM | | ecn no ELX-M-25503-1 | |
| | | chr - | | appr Koon-Poh Tay 2017/04/03 | | product family S-ATA | | rel level Released | |
| surface - | | linear | | Amphenol FCI | | title S-ATA COMB RECEP. VERTICAL SMT TYPE ASSY | | dwg no 10045103 | |
| | | 0.X ±- | | | | | | rev H | |
| | | 0.XX ±0.20 | | | | | | | |
| | | 0.XXX ±- | | | | | | | |
| ISO 1302 | | angular | | cat. no. - | | Product - Customer Drw | | sheet 3 of 3 | |
| | | 0° ±3° | | | | | | | |