

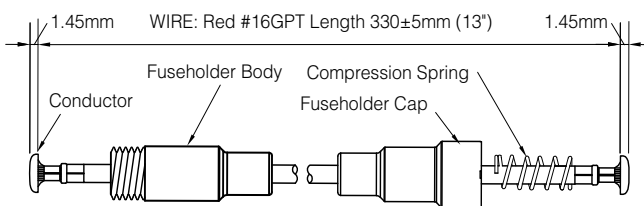
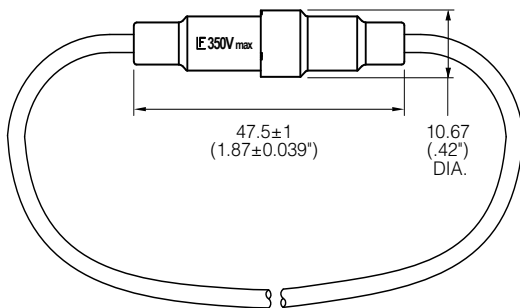
150 Series In-Line Holders for 2AG or 5×20mm Fuses



Agency Approval

Agency	Agency File Number
	E14721

Dimensions



Product Characteristics

Compatible Fuses	2AG or 5×20mm
Electrical	This fuseholder, part number 150274, is intended for use with 2AG and 5 × 20mm fuses. Maximum current ratings are 5 amperes at 250V for the 2AG size fuses and 10 amperes at 250V for the 5 × 20mm size fuses.**
Body	Black Nylon, UL94 V-0
Terminals	Brass
Wire	16 Awg size; Nominal o.d. 0.104"; color Red
Lead Pull Test	Will withstand 10 lb. pull.
Ambient Temperature	-40°C to +80°C.

NOTES:

- * Ensure that proper fuse re-rating is factored in fuseholder selection.
- ** If use above 32V, power must be turn off when changing the fuse.

Ordering Information

Ordering Number	Packaging
01500274Z	Bulk Pack (100 Pcs)

Additional Information



Datasheet



Resources



Samples