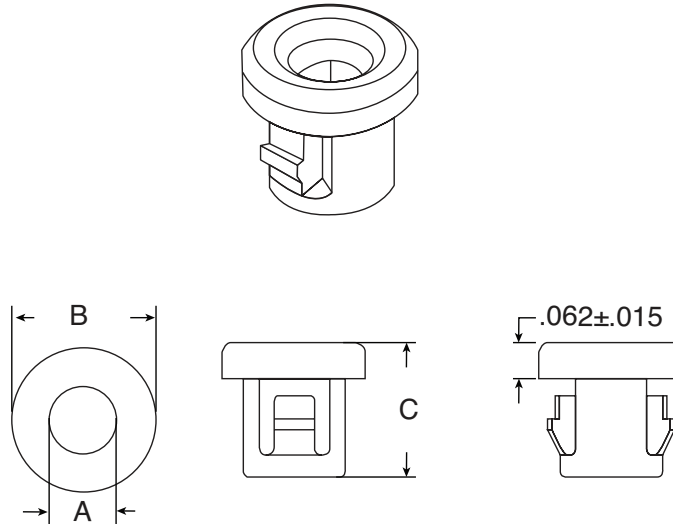


**DIMENSIONS: in.**



Bushings provide economical protection for wire, cable, tubing, and hose from sharp, uneven drilled or punched holes in sheet metal.

The tough, resilient heat stabilized nylon bushings are easily and positively snapped into position without tools.

The bushings are the economical solution to insulate wire, cables, etc. from raw edges in compact designs where internal clearances are critical. Miniature bushings accommodate panels up to 1/16" thickness and require only 1/8" clearance.

- Material Heat Stabilized Nylon UL 94V2
- Temperature Index 105°C
- Stocked In Standard Black

Part Number	Description	Inside Dia. A	Head Dia. B	Thickness C	Hole Dia.	Max. Panel Thickness
<b>561-MP1010</b>	MP 1010	0.125 (±0.015)	0.250 (±0.015)	0.234 (±0.015)	0.187	0.062
<b>561-MP1015</b>	MP 1015	0.250 (±0.015)	0.375 (±0.015)	0.234 (±0.015)	0.312	0.062
<b>561-MP1030</b>	MP 1030	0.375 (±0.015)	0.562 (±0.015)	0.250 (±0.015)	0.500	0.062
<b>561-MP1050</b>	MP 1050	0.500 (±0.015)	0.703 (±0.015)	0.250 (±0.015)	0.625	0.062
<b>561-MP1060</b>	MP 1060	0.625 (±0.015)	0.828 (±0.015)	0.250 (±0.015)	0.750	0.062
<b>561-MP1080</b>	MP 1080	0.750 (0.015)	0.937 (±0.015)	0.250 (±0.015)	0.875	0.062
<b>RoHS Compliant</b>						