

6

5

4

3

2

1

E

D

C

B

A

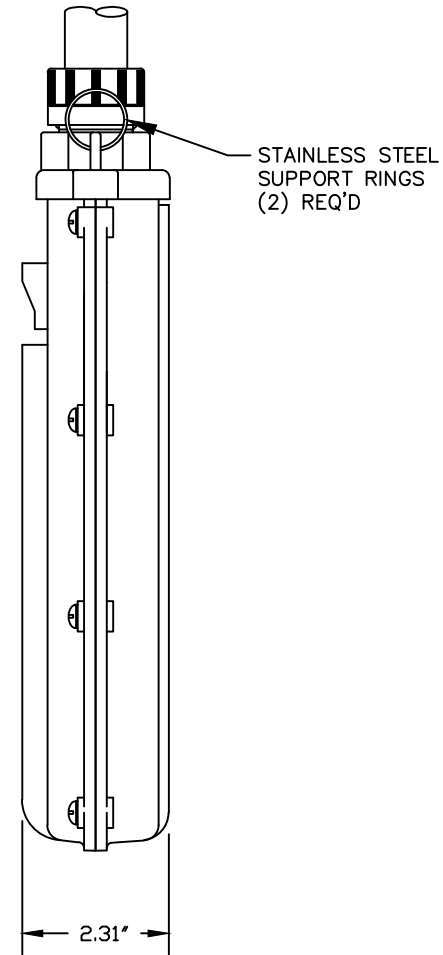
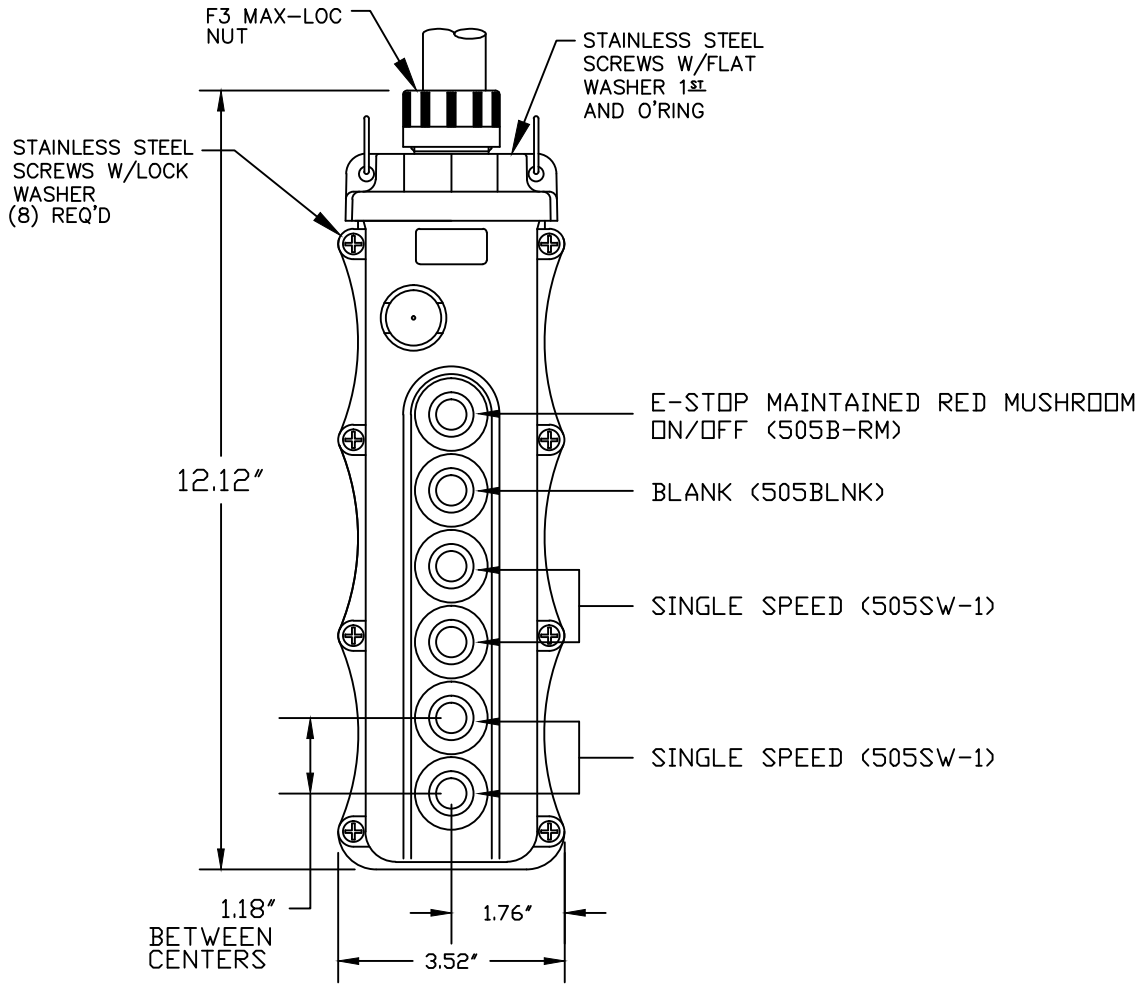
E

D

C

B

A



- NOTES:
 1. INSTALLATION INSTRUCTIONS, BUTTON ID. LABELS. ARE PACK WITH THE PART.
 2. ALL BUTTONS ARE HIGH AMBIENT, CHEMICALLY RESISTANT MATERIAL - COLOR BLACK

RELEASE DRAWING EC NO: IPG2013-0103 DRWN: HKNEELAN 2012/07/23 CHKD: HKNEELAN APPR: DTITUS 2012/08/03	DESCRIPTION 2012/08/03	QUALITY SYMBOLS	GENERAL TOLERANCES (UNLESS SPECIFIED)		DIMENSION STYLE INCH		SCALE NTS	DESIGN UNITS INCH	THIRD ANGLE PROJECTION	
		$\nabla = 0$ $\nabla C = 0$	mm	INCH	DRAWN BY	DATE	TITLE			
		4 PLACES	±---	±---	HKNEELAN	2012/07/23	6 POS PENDANT W/(1)505B-RM E-STOP (4) 505SW-1 SWITCHES			
		3 PLACES	±---	±---	CHECKED BY	DATE				
2 PLACES	±0.05	±---	DTITUS	2011/07/23	APPROVED BY		DATE	MOLEX INCORPORATED		
1 PLACE	±0.10	±---	ANGULAR ±.5°		MATERIAL NO.		DOCUMENT NO.		SHEET NO.	
DRAFT WHERE APPLICABLE MUST REMAIN WITHIN DIMENSIONS			1301260339		SD-130126-057		1 OF 1			
SIZE A			THIS DRAWING CONTAINS INFORMATION THAT IS PROPRIETARY TO MOLEX INCORPORATED AND SHOULD NOT BE USED WITHOUT WRITTEN PERMISSION							

6

5

4

3

2

1