

4

3

2

1

THIS DRAWING IS UNPUBLISHED.

RELEASED FOR PUBLICATION

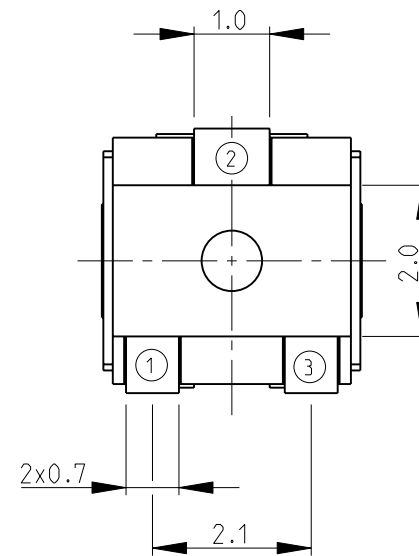
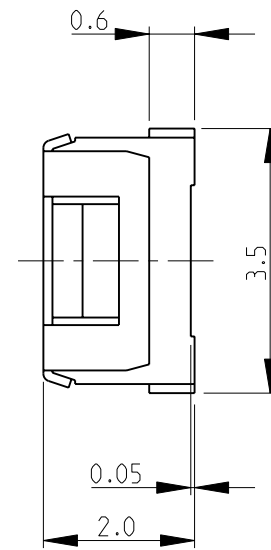
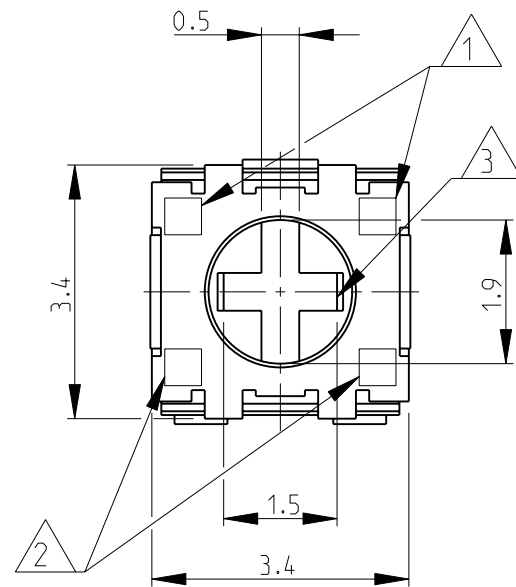
2008

© COPYRIGHT 2008 BY -

ALL RIGHTS RESERVED.

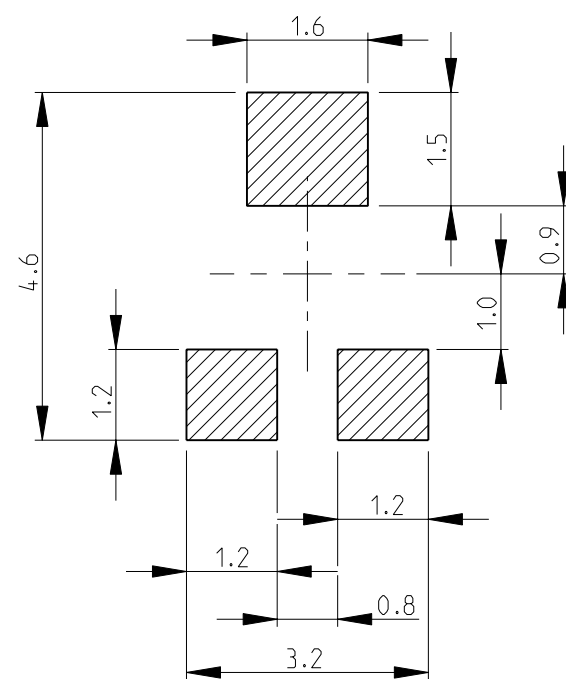
LOC	DIST	REVISIONS				
P	LTR	DESCRIPTION	DATE	DWN	APVD	
E	B	BA1	REVISED PER ECO-11-005150	29MAR2011	RK	HMR

- 1 DATE CODE
- 2 RESISTANCE CODE 2 DIGITS
- 3 CROSS SLOT FOR "0" BIT DRIVER, DEPTH: 0.45mm
- 4 FOR FURTHER INFORMATION SEE DATA SHEET FOR 3203 SERIES-SMD TRIMMERS

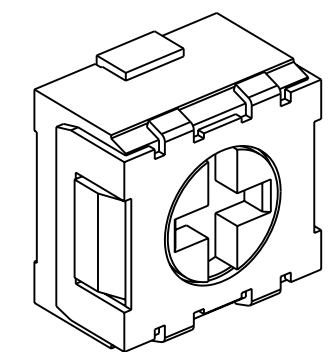
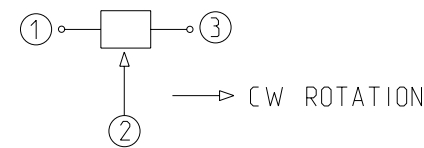



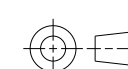
RoHS Compliant

RECOMMENDED LAND PATTERN



CIRCUIT DIAGRAM



THIS DRAWING IS A CONTROLLED DOCUMENT.		DWN	SUBHASH.M	12-NOV-08	 TE Connectivity
DIMENSIONS: mm		CHK	PRAKASH.S	12-NOV-08	
		APVD	STEPHEN.P	12-NOV-08	
TOLERANCES UNLESS OTHERWISE SPECIFIED:		PRODUCT SPEC		NAME	
0 PLC	± 0.2	-		SMD TRIMMERS	
1 PLC	± 0.1	-		SERIES 3203	
2 PLC	± -	APPLICATION SPEC		-	
3 PLC	± -	-		SIZE	A3
4 PLC	± -	WEIGHT		CAGE CODE	00779
ANGLES	± 5°	-		DRAWING NO	1623916
FINISH	-	-		RESTRICTED TO	-
MATERIAL		CUSTOMER DRAWING		SCALE	10:1
				SHEET	1 OF 1
				REV	BA1