

NOTES:

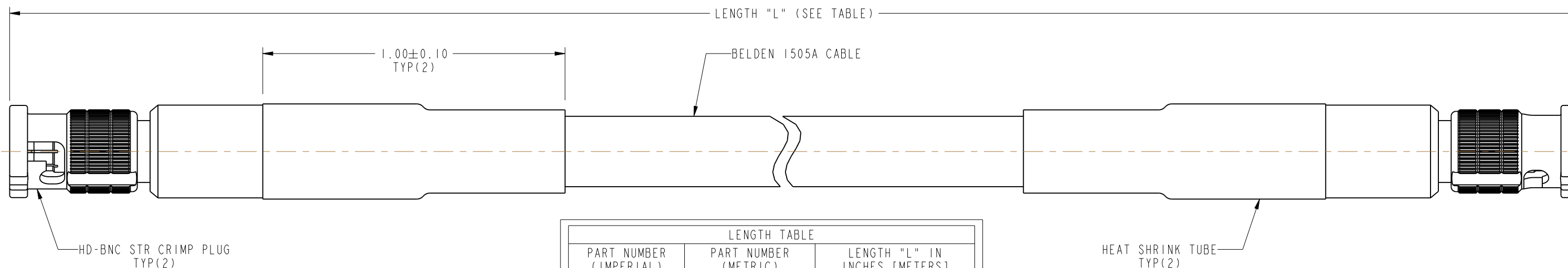
- 1. MATERIALS AND FINISHES:
 HD-BNC STR CRIMP PLUG - 34-1025
 CABLE - BELDEN 1505A
- 2. ELECTRICAL:
 A. IMPEDANCE: 75 OHM

- 3. PACKAGING:
 A. QUANTITY: SINGLE PACK
 B. MARKING: BAG TO BE MARKED
 "AMPHENOL RF, 95-850-159XXXX AND DATE CODE".

THIRD ANGLE PROJ.

REVISIONS

REV	DESCRIPTION	DATE	ECO	APPR
A	RELEASE TO MFG	5/15/15	50370	NR/BCG



LENGTH TABLE		
PART NUMBER (IMPERIAL)	PART NUMBER (METRIC)	LENGTH "L" IN INCHES [METERS]
95-850-159-006	-	6.00 [0.152]
	95-850-159M025	9.84 [0.250]
95-850-159-012	-	12.00 [0.305]
95-850-159-018	-	18.00 [0.457]
-	95-850-159M050	19.69 [0.500]
95-850-159-024	-	24.00 [0.610]
-	95-850-159M075	29.53 [0.750]
95-850-159-036	-	36.00 [0.914]
-	95-850-159M100	39.37 [1.000]
95-850-159-048	-	48.00 [1.219]
-	95-850-159M125	49.21 [1.250]
-	95-850-159M150	59.06 [1.500]
95-850-159-060	-	60.00 [1.524]
95-850-159-072	-	72.00 [1.829]
-	95-850-159M200	78.74 [2.000]
-	95-850-159M300	118.11 [3.000]
95-850-159-120	-	120.00 [3.048]
95-850-159-180	-	180.00 [4.572]
	95-850-159M500	196.85 [5.000]
95-850-159-300	-	300.00 [7.620]
-	95-850-159M10L	393.70 [10.000]
95-850-159L050	-	600.00 [15.240]
-	95-850-159M20L	787.40 [20.000]
95-850-159L075	-	900.00 [22.860]
-	95-850-159M30L	1181.10 [30.000]
95-850-159L100	-	1200.00 [30.480]



SCALE 0.750

DESIGN REQUIREMENTS:

- FREQUENCY: DC TO 3 GHz
- VSWR ----- MAX
- INS. LOSS ----- dB MAX
- CONTINUITY
- HI-POT : 500 VRMS
- OTHER

UNLESS OTHERWISE SPECIFIED, DIMENSIONS ARE IN INCHES AND TOLERANCES ARE:
 2 PLACE DECIMAL 3 PLACE DECIMAL ANGLES
 ±.015 (0,381 mm) ±.005 (0,127 mm) ± 1°

NOTICE - These drawings, specifications, or other data (1) are, and remain the property of Amphenol corp. (2) must be returned upon request; and (3) are confidential and not to be disclosed to any person other than those to whom they are given by Amphenol Corp. the furnishing of these drawings, specifications, or other data by Amphenol Corp., or to any other person to anyone for any purpose is not to be regarded by implication or otherwise in any manner licensing, granting rights to permitting such holder or any other person to manufacture, use or sell any product, process or design, patented or otherwise, that may in any way be related to or disclosed by said drawings, specifications, or other data.

CUSTOMER OUTLINE DRAWING

ALL OTHER SHEETS ARE FOR INTERNAL USE ONLY

MATERIAL SEE NOTES	DRAWN CLEMMENT	DATE 09-Dec-14	TITLE HD-BNC STR CRIMP PLUG TO HD-BNC STR CRIMP PLUG, USING BELDEN 1505A CABLE, VARIOUS LENGTH	Amphenol RF www.amphenolrf.com
REFERENCE EAR # 6513	ENGINEER CLEMMENT	DATE 09-Dec-14	SCALE: 3.0:1.0 SHEET 2 OF 2	DRAWING NO.95-850-159XXXX
CONFIGURATION LEVEL: In Work	APPROVED K. CAPOZZI	DATE 5/7/15	DWG SIZE B	ITEM NO.95-850-159XXXX
FINISH	CAD FILE	REV A		PART NO.95-850-159XXXX